

Design multi-tone sounder / Multi-t.sounder 140

Multi-t.sounder WM 32 tne 115-230VAC RD



Part No.: 140.150.60



| MECHANICAL DATA | |
|------------------------------|------------------------------|
| Height | 110 mm |
| Diameter | 100 mm |
| Materials | PC/ABS |
| Housing colour | Red |
| Protection category | IP65 |
| Connection | Screw terminals |
| cross-sectional area maximum | 2,50mm ² / 14AWG |
| Cable entry | Through hole |
| Type of fixing | Wall mounting |
| Working temperature minimum | -40°C |
| Working temperature maximum | +70°C |
| Weight with packaging | 348 g |
| Product weight | 301 g |
| ELECTRICAL DATA | |
| Operating voltage | 115-230V |
| Operating voltage type | AC |
| Operating voltage frequency | 50Hz at 230V 60Hz at 115V |
| Operating voltage tolerance | +/- 10% |
| Rated operational voltage | 230 VAC |
| Rated operational current | 40 mA |
| Rated inrush current | 1,87A |
| Protection class | Protection class 2 |
| Pollution degree | 3 |
| Overtoltage category | II |
| Isolation voltage | Ui = 250V; Uimp = 2.500V |
| ACOUSTIC DATA | |
| Volume (max) at 1m distance | 115,0 dB (A) |
| Acoustic signal image | Multi-tone |
| Number of tones | 32 tone |
| Acoustic service life | 5,000 h minimum |
| APPROVAL DATA | |
| Conforms with CE | Yes |
| Conforms with RoHS directive | Yes |
| WEEE | Yes |
| Conforms with ATEX-directive | No |

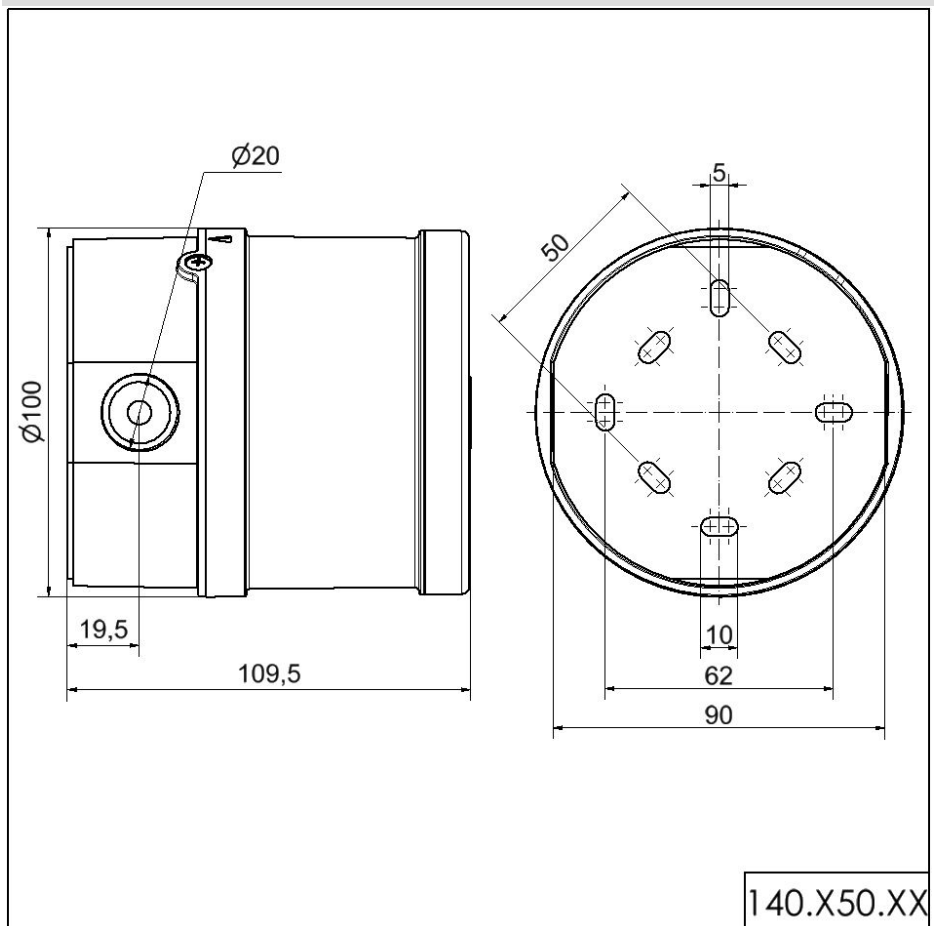
! For additional installation and mounting information, refer to the appropriate user guide at www.werma.com. This printed copy is for information only and is subject to alteration.

Design multi-tone sounder / Multi-t.sounder 140

Multi-t.sounder WM 32 tne 115-230VAC RD

| | |
|-------------------------------|-----------------------|
| Conforms with CCC | No |
| Conforms with UL | No |
| Conforms with FCC | No |
| Conforms with IC | No |
| EAC certificate available | Yes |
| Conforms with UKCA (Importer) | Yes (WERMA (UK) Ltd.) |
| Conforms with AS-I | No |
| ICAO Certification | No |
| Conforms with DNV | No |
| Conforms with RoHS CN | No |
| Conforms with VdS | No |

DRAWING



! For additional installation and mounting information, refer to the appropriate user guide at www.werma.com. This printed copy is for information only and is subject to alteration.