

LED Light / LED Traffic Light 890 / Accessories

Vocal alarm WM 24VDC GY



Part No.: 190.020.55



MECHANICAL DATA	
Width	127 mm
Height	169 mm
Diameter	150 mm
Materials	PC/ABS
Housing colour	Grey
Protection category	IP65
Connection	Screw terminals
cross-sectional area maximum	1,50mm ² / 16AWG
Cable entry	Rubber pinch Screwed cable gland
Cable entry minimum	d = 6 mm
Cable entry maximum	d = 12 mm
Tension relief	Present (conforms to VDE)
Type of fixing	Wall mounting
Working temperature minimum	-20°C
Working temperature maximum	+55°C
Weight with packaging	979 g
Product weight	909 g
ELECTRICAL DATA	
Operating voltage	24V
Operating voltage type	DC
Operating voltage tolerance	+/- 10%
Rated operational voltage	24 VDC
Rated operational current	2 mA
Rated inrush current	500 mA
Protection class	Protection class 2
Pollution degree	3
OPTICAL DATA	
Service life optical	5,000 h minimum
ACOUSTIC DATA	
Volume (max) at 1m distance	110,0 dB (A)
Acoustic service life	5,000 h minimum
APPROVAL DATA	
Conforms with CE	Yes
Conforms with RoHS directive	Yes
WEEE	Yes



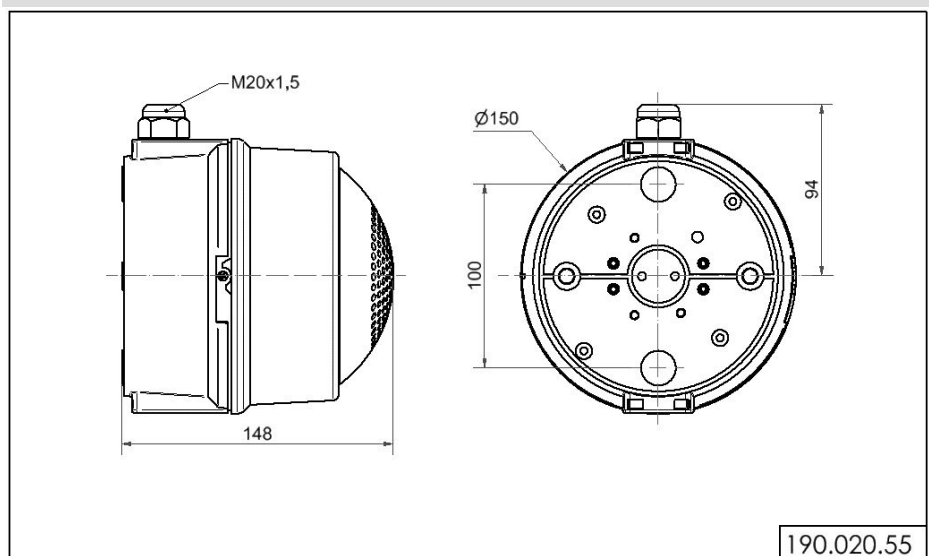
For additional installation and mounting information, refer to the appropriate user guide at www.werma.com. This printed copy is for information only and is subject to alteration.

LED Light / LED Traffic Light 890 / Accessories

Vocal alarm WM 24VDC GY

Conforms with ATEX-directive	No
Conforms with CCC	No
Conforms with UL	No
Conforms with FCC	No
Conforms with IC	No
EAC certificate available	Yes
Conforms with UKCA (Importer)	Yes (WERMA (UK) Ltd.)
Conforms with CMIM	No
Conforms with AS-I	No
ICAO Certification	No
Conforms with DNV	No
Conforms with RoHS CN	No
Conforms with VdS	No

DRAWING



! For additional installation and mounting information, refer to the appropriate user guide at www.werma.com. This printed copy is for information only and is subject to alteration.