

Mini installation beacon / AS-i LED Beacon (Multicolour) 239

**LED Beacon EM 24VDC MC****Part No.:** 239.482.55**MECHANICAL DATA**

Height	90 mm
Diameter	50 mm
Materials	PC PC/ABS
Dome colour	Trancluent
Housing colour	Black
Protection category	IP65
Connection	Push-in terminal
cross-sectional area minimum	0,09mm <sup>2</sup> / 28AWG
cross-sectional area maximum	1,50mm <sup>2</sup> / 16AWG
Type of fixing	Built-in mounting
Working temperature minimum	-20°C
Working temperature maximum	+50°C
Weight with packaging	53 g
Product weight	37 g

**ELECTRICAL DATA**

Operating voltage	24V
Operating voltage type	DC
Operating voltage tolerance	+/- 10%
Rated operational voltage	24 VDC
Rated operational current	75 mA
Rated inrush current	500 mA
Protection class	Protection class 2
Pollution degree	3 In the connection area: 2

**OPTICAL DATA**

Light source	LED
Light colour	MC 5 colours
Optical signal image	Permanent
Service life optical	50,000 h maximum

**APPROVAL DATA**

Conforms with CE	Yes
Conforms with RoHS directive	Yes
WEEE	Yes
Conforms with ATEX-directive	No
Conforms with CCC	No
Conforms with UL	No

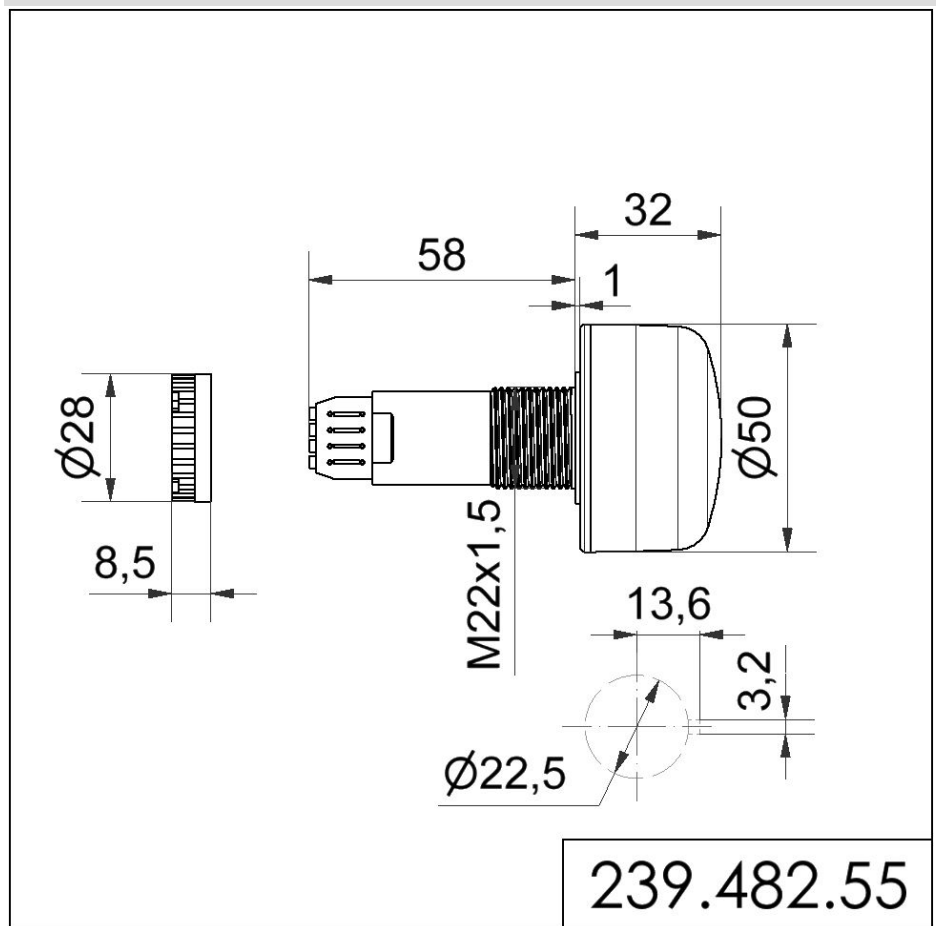


For additional installation and mounting information, refer to the appropriate user guide at [www.werma.com](http://www.werma.com). This printed copy is for information only and is subject to alteration.

Mini installation beacon / AS-i LED Beacon (Multicolour) 239  
**LED Beacon EM 24VDC MC**

Conforms with FCC	No
Conforms with IC	No
EAC certificate available	Yes
Conforms with UKCA (Importer)	Yes (WERMA (UK) Ltd.)
Conforms with CMIM	No
Conforms with AS-I	No
ICAO Certification	No
Conforms with DNV	No
Conforms with RoHS CN	No
Conforms with VdS	No

**DRAWING**



! For additional installation and mounting information, refer to the appropriate user guide at [www.werma.com](http://www.werma.com). This printed copy is for information only and is subject to alteration.