

Mini / Flash/Buzzer 423

**Buzzer/Flash WM Contin/pulse 24VAC/DC RD**

Part No.: 423.110.75

**MECHANICAL DATA**

Height	121 mm
Diameter	83 mm
Materials	PC
Dome colour	Red
Housing colour	Grey
Protection category	IP65
Connection	Screw terminals
cross-sectional area maximum	1,50mm <sup>2</sup> / 16AWG
Cable entry	Membrane grommet
Cable entry minimum	d = 1 mm
Cable entry maximum	d = 9 mm
Tension relief	Pull-out protection
Type of fixing	Wall mounting
Working temperature minimum	-20°C
Working temperature maximum	+50°C
Weight with packaging	173 g
Product weight	142 g

**ELECTRICAL DATA**

Operating voltage	24V
Operating voltage type	AC/DC
Operating voltage frequency	50Hz
Operating voltage tolerance	+/- 10%
Rated operational voltage	24 VDC
Rated operational current	120 mA
Rated inrush current	120 mA
Protection class	Protection class 2
Pollution degree	3

**OPTICAL DATA**

Light source	Xenon
Light colour	Red
Optical signal image	Flash
Flash frequency	1 Hz
Flash output	1 J
Service life optical	4 million flashes minimum

**ACOUSTIC DATA**

Volume (max) at 1m distance	92,0 dB (A)
-----------------------------	-------------



For additional installation and mounting information, refer to the appropriate user guide at [www.werma.com](http://www.werma.com). This printed copy is for information only and is subject to alteration.

Mini / Flash/Buzzer 423

**Buzzer/Flash WM Contin/pulse 24VAC/DC RD**

Acoustic signal image	Continuous tone Pulse tone
Audio frequency	2300 Hz
Acoustic service life	5,000 h minimum

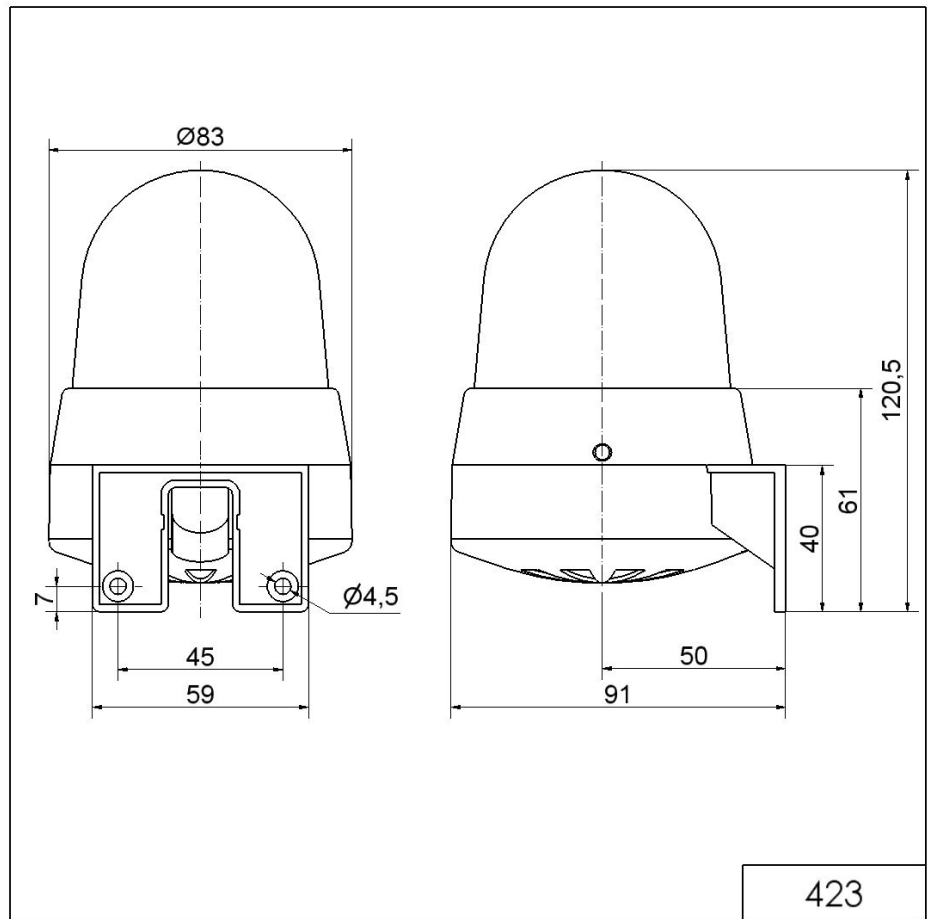
<b>APPROVAL DATA</b>	
Conforms with CE	Yes
Conforms with RoHS directive	Yes
WEEE	Yes
Conforms with ATEX-directive	No
Conforms with CCC	No
Conforms with UL	No
Conforms with FCC	No
Conforms with IC	No
EAC certificate available	Yes
Conforms with UKCA (Importer)	Yes (WERMA (UK) Ltd.)
Conforms with AS-I	No
ICAO Certification	No
Conforms with DNV	No
Conforms with RoHS CN	No
Conforms with VdS	No

**!** For additional installation and mounting information, refer to the appropriate user guide at [www.werma.com](http://www.werma.com). This printed copy is for information only and is subject to alteration.

Mini / Flash/Buzzer 423

**Buzzer/Flash WM Contin/pulse 24VAC/DC RD**

**DRAWING**



**!** For additional installation and mounting information, refer to the appropriate user guide at [www.werma.com](http://www.werma.com). This printed copy is for information only and is subject to alteration.