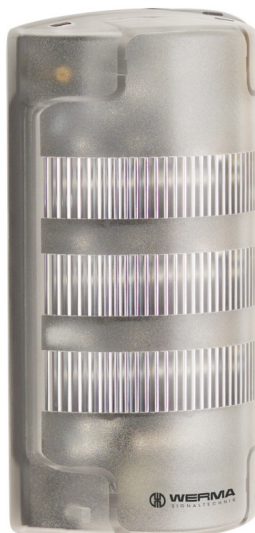


FlatSIGN / FlatSIGN with Audible Signal

**FlatSIGN cl WM 8 tne 24VAC/DC GN/YE/RD**

|           |            |
|-----------|------------|
| Part No.: | 691.200.55 |
| Series:   | FlatSIGN   |

**MECHANICAL DATA**

|                              |                             |
|------------------------------|-----------------------------|
| Length                       | 105 mm                      |
| Width                        | 45 mm                       |
| Height                       | 195 mm                      |
| Materials                    | PC<br>PC/ABS                |
| Dome colour                  | Clear                       |
| Protection category          | IP65                        |
| Connection                   | Screw terminals             |
| cross-sectional area minimum | 0,50mm <sup>2</sup> / 20AWG |
| cross-sectional area maximum | 1,50mm <sup>2</sup> / 16AWG |
| Cable entry                  | Membrane grommet            |
| Cable entry minimum          | d = 1 mm                    |
| Cable entry maximum          | d = 13 mm                   |
| Tension relief               | Present (conforms to VDE)   |
| Type of fixing               | Wall mounting               |
| Working temperature minimum  | -30°C                       |
| Working temperature maximum  | +50°C                       |
| Weight with packaging        | 287 g                       |
| Product weight               | 235 g                       |

**ELECTRICAL DATA**

|                             |                    |
|-----------------------------|--------------------|
| Operating voltage           | 24V                |
| Operating voltage type      | AC/DC              |
| Operating voltage frequency | 50Hz               |
| Operating voltage tolerance | +/- 10%            |
| Rated operational voltage   | 24 VDC             |
| Rated operational current   | 30 mA              |
| Rated inrush current        | 280 mA             |
| Protection class            | Protection class 2 |
| Pollution degree            | 3                  |

**OPTICAL DATA**

|                      |                        |
|----------------------|------------------------|
| Light source         | LED                    |
| Light colour         | Green<br>Red<br>Yellow |
| Optical signal image | Blink<br>Permanent     |
| Blink frequency      | 1 Hz                   |



For additional installation and mounting information, refer to the appropriate user guide at [www.werma.com](http://www.werma.com). This printed copy is for information only and is subject to alteration.

FlatSIGN / FlatSIGN with Audible Signal

**FlatSIGN cl WM 8 tne 24VAC/DC GN/YE/RD**

|                      |                  |
|----------------------|------------------|
| Service life optical | 50,000 h maximum |
|----------------------|------------------|

| <b>ACOUSTIC DATA</b>        |                 |
|-----------------------------|-----------------|
| Volume (max) at 1m distance | 80,0 dB (A)     |
| Acoustic signal image       | Multi-tone      |
| Number of tones             | 8 tone          |
| Audio frequency             | 2400 Hz         |
| Acoustic service life       | 5,000 h minimum |

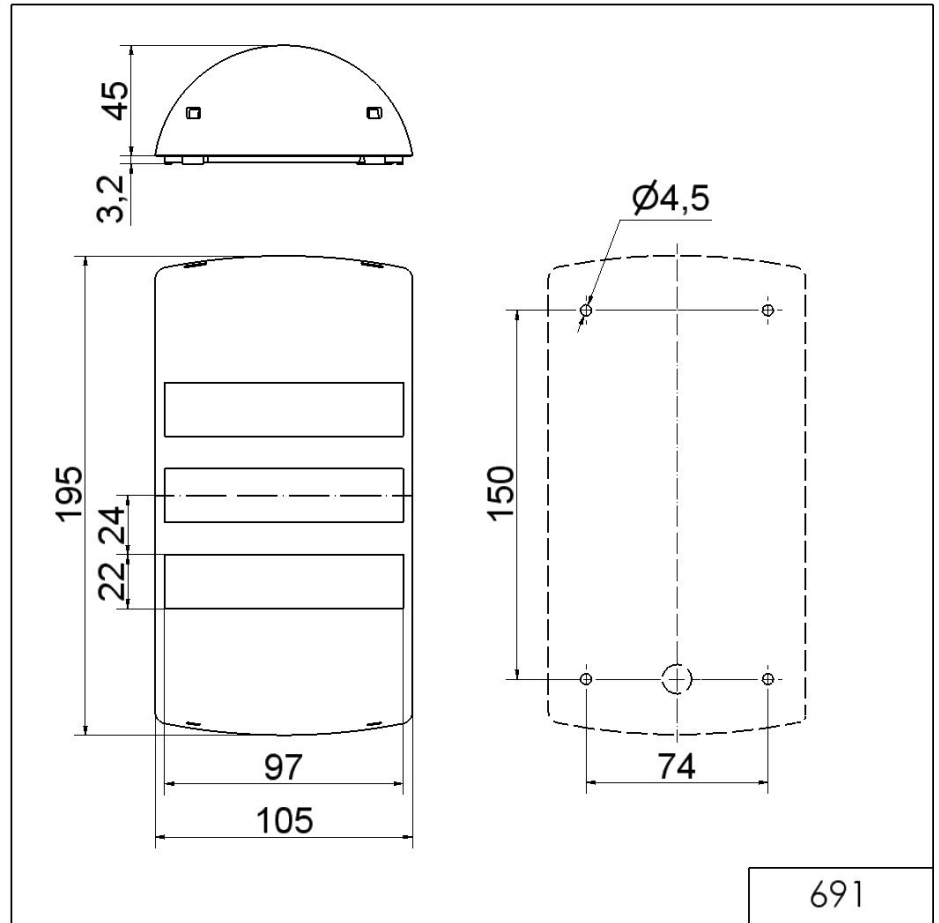
| <b>APPROVAL DATA</b>          |                       |
|-------------------------------|-----------------------|
| Conforms with CE              | Yes                   |
| Conforms with RoHS directive  | Yes                   |
| WEEE                          | Yes                   |
| Conforms with ATEX-directive  | No                    |
| Conforms with CCC             | No                    |
| Conforms with UL              | ULus                  |
| UL Type Rating                | Type 5                |
| Conforms with FCC             | No                    |
| Conforms with IC              | No                    |
| EAC certificate available     | Yes                   |
| Conforms with UKCA (Importer) | Yes (WERMA (UK) Ltd.) |
| Conforms with AS-I            | No                    |
| ICAO Certification            | No                    |
| Conforms with DNV             | No                    |
| Conforms with RoHS CN         | No                    |
| Conforms with VdS             | No                    |

**!** For additional installation and mounting information, refer to the appropriate user guide at [www.werma.com](http://www.werma.com). This printed copy is for information only and is subject to alteration.

FlatSIGN / FlatSIGN with Audible Signal

**FlatSIGN cl WM 8 tne 24VAC/DC GN/YE/RD**

**DRAWING**



For additional installation and mounting information, refer to the appropriate user guide at [www.werma.com](http://www.werma.com). This printed copy is for information only and is subject to alteration.