

KombiSIGN 50 / Accessories

Foldable base BK



Part No.: 960.000.30

MECHANICAL DATA

Length	77 mm
Width	71 mm
Height	117 mm
Diameter	70 mm
Materials	PA-GF
Housing colour	Black
Protection category	IP65
Type of fixing	Special version
Weight with packaging	195 g
Product weight	165 g

APPROVAL DATA

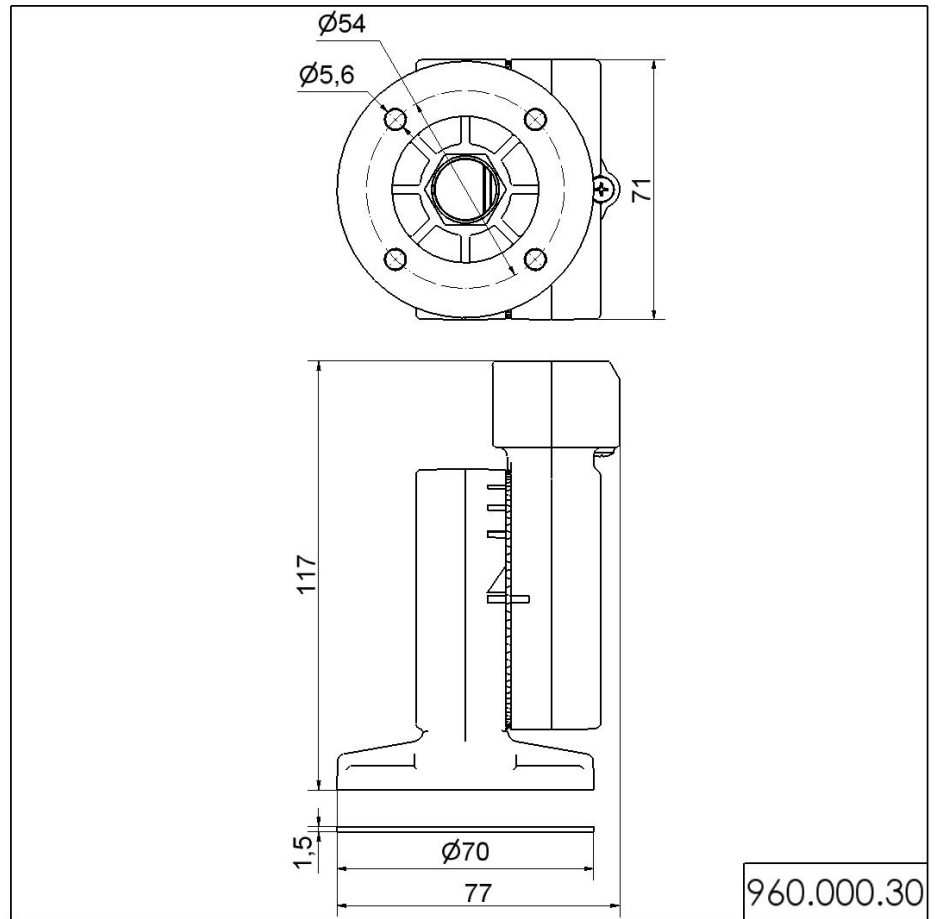
Conforms with CE	No
Conforms with RoHS directive	Fulfills substance restriction
WEEE	No
Conforms with ATEX-directive	No
Conforms with CCC	No
Conforms with UL	No
Conforms with FCC	No
Conforms with IC	No
EAC certificate available	No
Conforms with AS-I	No
ICAO Certification	No
Conforms with DNV	No
Conforms with RoHS CN	No



For additional installation and mounting information, refer to the appropriate user guide at www.werma.com. This printed copy is for information only and is subject to alteration.

KombiSIGN 50 / Accessories
Foldable base BK

DRAWING



For additional installation and mounting information, refer to the appropriate user guide at www.werma.com. This printed copy is for information only and is subject to alteration.