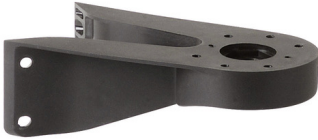


KombiSIGN 71 / Accessories

Fixing bracket WM BK



Part No.: 960.000.41

MECHANICAL DATA

Length	149 mm
Width	80 mm
Height	50 mm
Materials	PA-GF
Housing colour	Black
Weight with packaging	90 g
Product weight	90 g

APPROVAL DATA

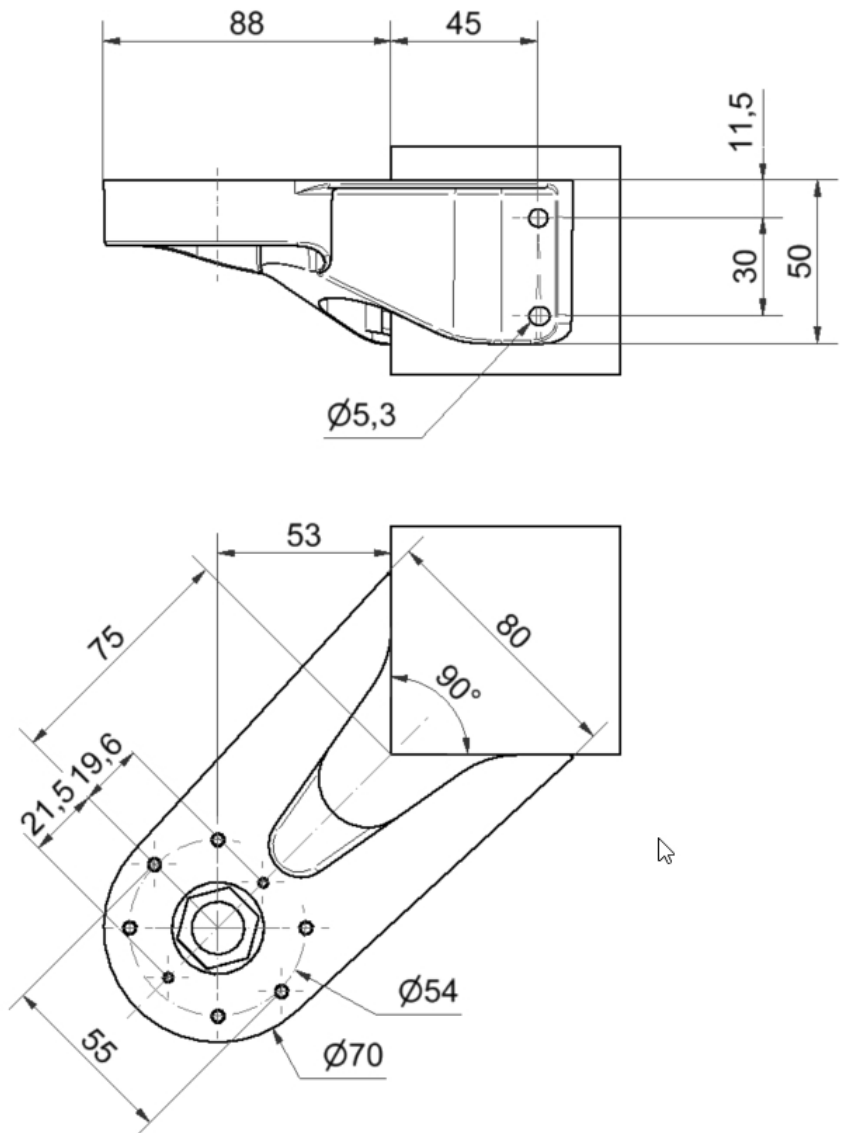
Conforms with RoHS directive	Fulfills substance restriction
WEEE	No
Conforms with ATEX-directive	No
Conforms with CCC	No
Conforms with UL	No
Conforms with FCC	No
Conforms with IC	No
EAC certificate available	No
Conforms with AS-I	No
ICAO Certification	No
Conforms with DNV	No
Conforms with RoHS CN	No



For additional installation and mounting information, refer to the appropriate user guide at www.werma.com. This printed copy is for information only and is subject to alteration.

KombiSIGN 71 / Accessories
Fixing bracket WM BK

DRAWING



For additional installation and mounting information, refer to the appropriate user guide at www.werma.com. This printed copy is for information only and is subject to alteration.