

LED Permanent Beacon / Accessories

Bracket BK



Part No.: 975.839.02

MECHANICAL DATA

Length	240 mm
Width	160 mm
Height	49 mm
Materials	Stainless steel
Housing colour	Black
Weight with packaging	805 g
Product weight	695 g

APPROVAL DATA

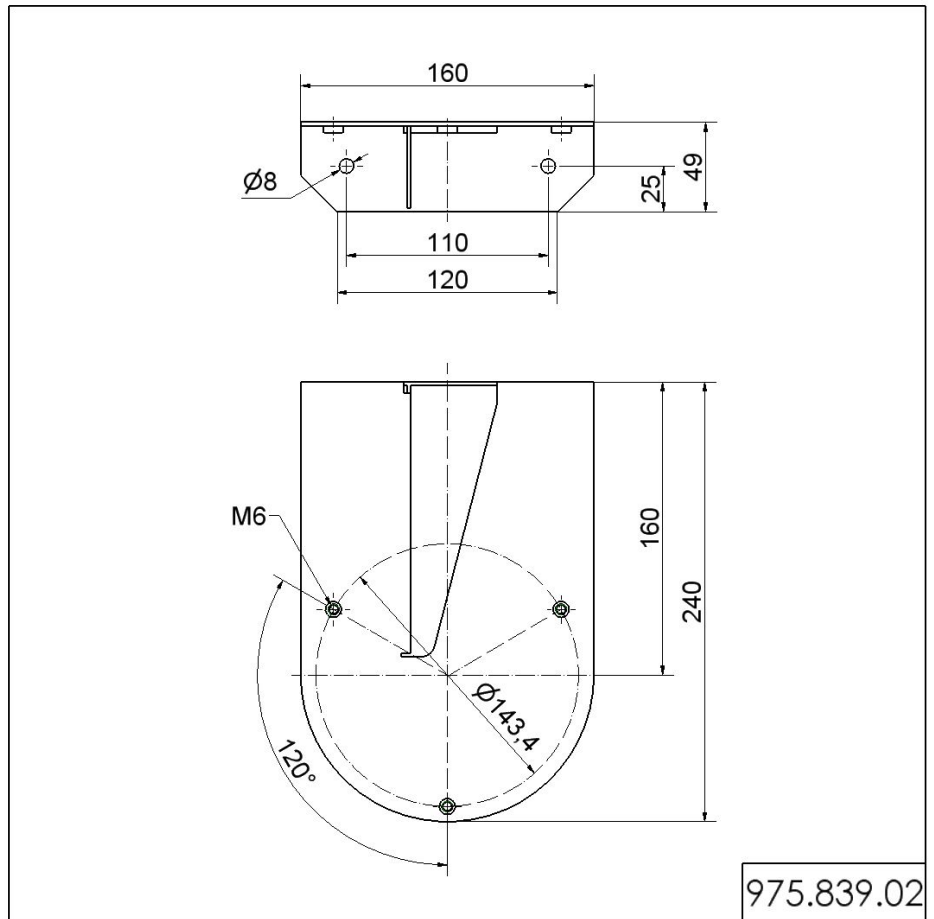
Conforms with CE	No
Conforms with RoHS directive	Fulfills substance restriction
WEEE	No
Conforms with ATEX-directive	No
Conforms with CCC	No
Conforms with UL	No
Conforms with FCC	No
Conforms with IC	No
EAC certificate available	No
Conforms with UKCA (Importer)	No
Conforms with AS-I	No
ICAO Certification	No
Conforms with DNV	No
Conforms with RoHS CN	No



For additional installation and mounting information, refer to the appropriate user guide at www.werma.com. This printed copy is for information only and is subject to alteration.

LED Permanent Beacon / Accessories
Bracket BK

DRAWING



! For additional installation and mounting information, refer to the appropriate user guide at www.werma.com. This printed copy is for information only and is subject to alteration.