

KombiSIGN 70 / Accessories

Adapter for tube D25mm 1/2 Inch thread



Part No.: 975.840.02

MECHANICAL DATA

Height	44 mm
Diameter	27 mm
Materials	Steel
Housing colour	Silver
Weight with packaging	88 g
Product weight	81 g

APPROVAL DATA

Conforms with CE	No
Conforms with RoHS directive	Fulfills substance restriction
WEEE	No
Conforms with ATEX-directive	No
Conforms with CCC	No
Conforms with UL	No
Conforms with FCC	No
Conforms with IC	No
EAC certificate available	No
Conforms with AS-I	No
ICAO Certification	No
Conforms with DNV	No
Conforms with RoHS CN	No

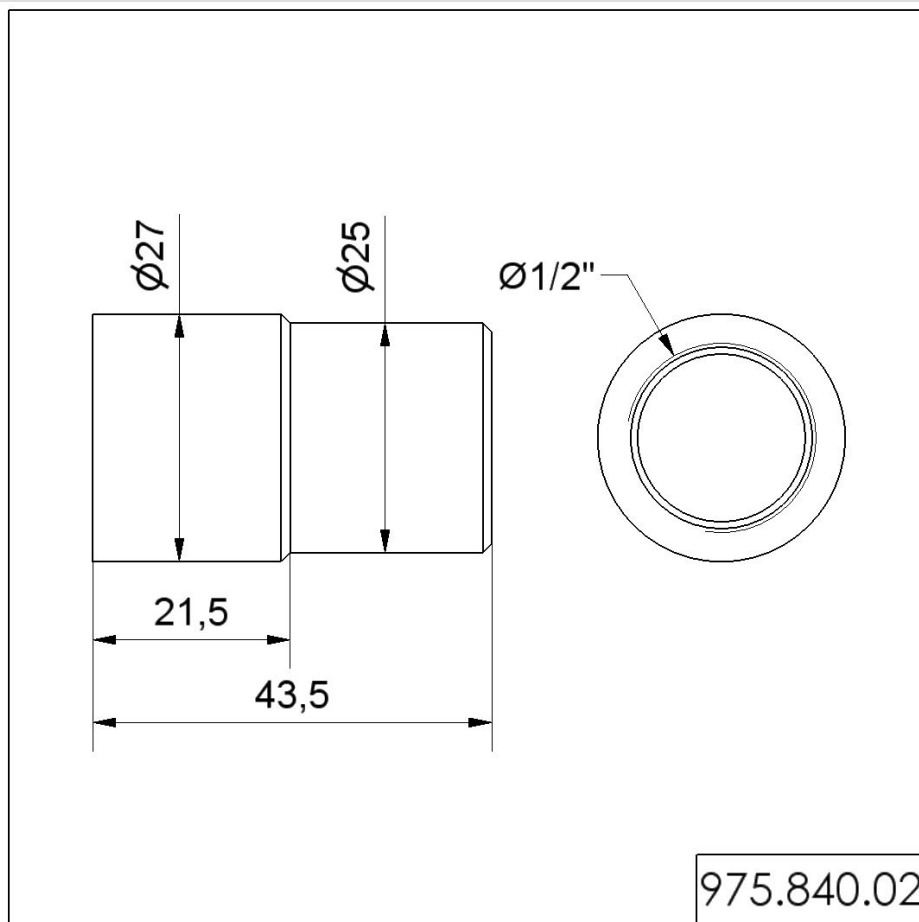


For additional installation and mounting information, refer to the appropriate user guide at www.werma.com. This printed copy is for information only and is subject to alteration.

KombiSIGN 70 / Accessories

Adapter for tube D25mm 1/2 Inch thread

DRAWING



975.840.02

! For additional installation and mounting information, refer to the appropriate user guide at www.werma.com. This printed copy is for information only and is subject to alteration.