

KombiSIGN 70 / Accessories

## Bracket for 2-sided mount. BK



**Part No.:** 975.840.86

### MECHANICAL DATA

Height	97 mm
Diameter	70 mm
Materials	PA-GF
Housing colour	Black
Weight with packaging	76 g
Product weight	76 g

### APPROVAL DATA

Conforms with RoHS directive	Fulfills substance restriction
WEEE	No
Conforms with ATEX-directive	No
Conforms with CCC	No
Conforms with UL	No
Conforms with FCC	No
Conforms with IC	No
EAC certificate available	No
Conforms with AS-I	No
ICAO Certification	No
Conforms with DNV	No
Conforms with RoHS CN	No

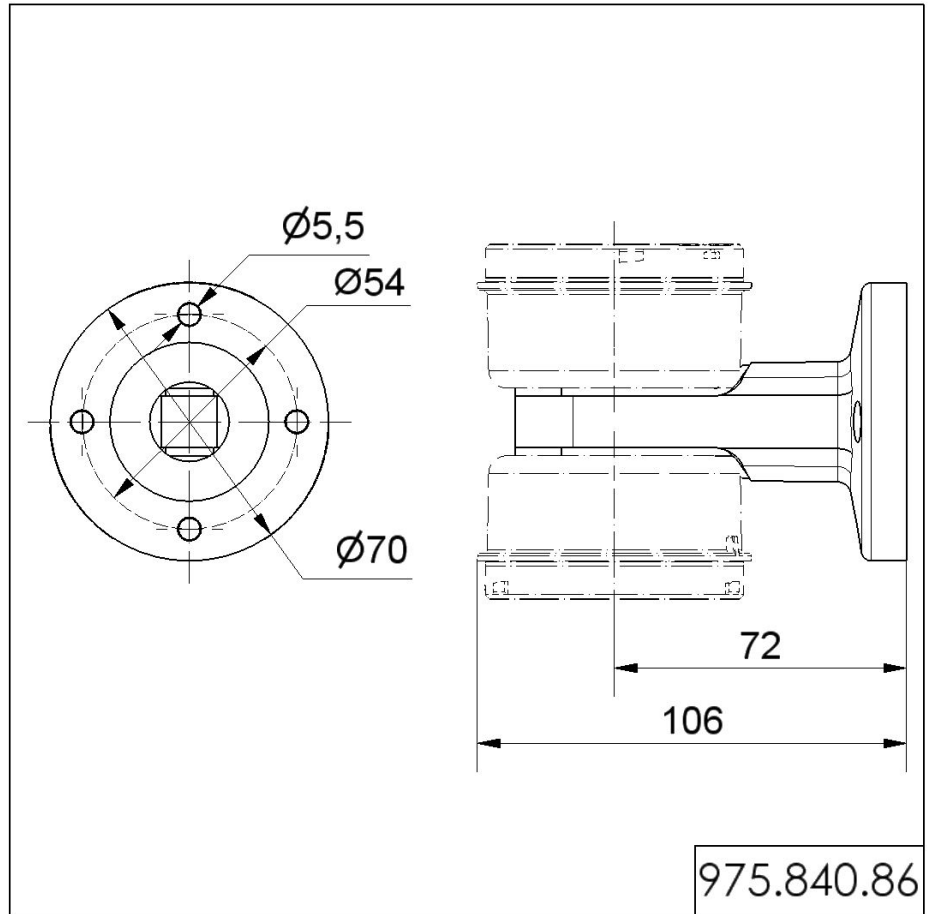


For additional installation and mounting information, refer to the appropriate user guide at [www.werma.com](http://www.werma.com). This printed copy is for information only and is subject to alteration.

KombiSIGN 70 / Accessories

**Bracket for 2-sided mount. BK**

**DRAWING**



! For additional installation and mounting information, refer to the appropriate user guide at [www.werma.com](http://www.werma.com). This printed copy is for information only and is subject to alteration.