

LED Permanent Beacon 853 / Accessories

Cable gland M20x1,5



Part No.: 975.853.02

MECHANICAL DATA

Height	39 mm
Diameter	28 mm
Materials	PA
Housing colour	Black
Protection category	IP68
Weight with packaging	13 g
Product weight	13 g

APPROVAL DATA

Conforms with CE	No
Conforms with RoHS directive	Fulfills substance restriction
WEEE	No
Conforms with ATEX-directive	No
Conforms with CCC	No
Conforms with UL	No
Conforms with FCC	No
Conforms with IC	No
EAC certificate available	No
Conforms with UKCA (Importer)	No
Conforms with AS-I	No
ICAO Certification	No
Conforms with DNV	No
Conforms with RoHS CN	No

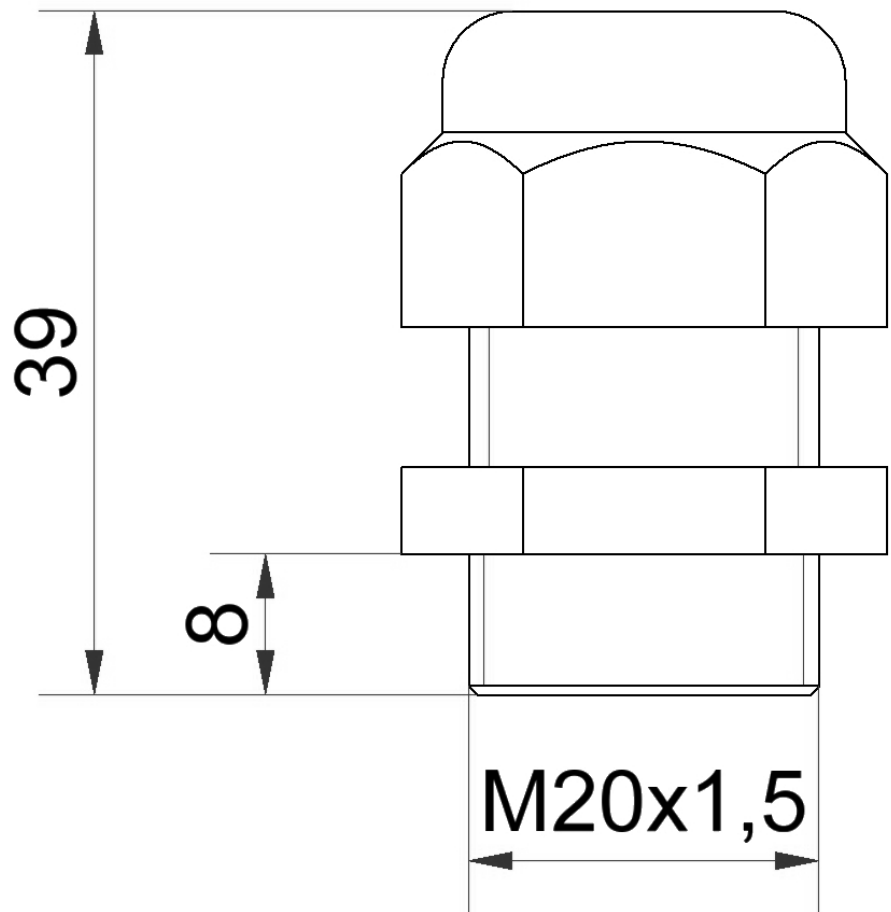


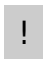
For additional installation and mounting information, refer to the appropriate user guide at www.werma.com. This printed copy is for information only and is subject to alteration.

LED Permanent Beacon 853 / Accessories

Cable gland M20x1,5

DRAWING



 For additional installation and mounting information, refer to the appropriate user guide at www.werma.com. This printed copy is for information only and is subject to alteration.