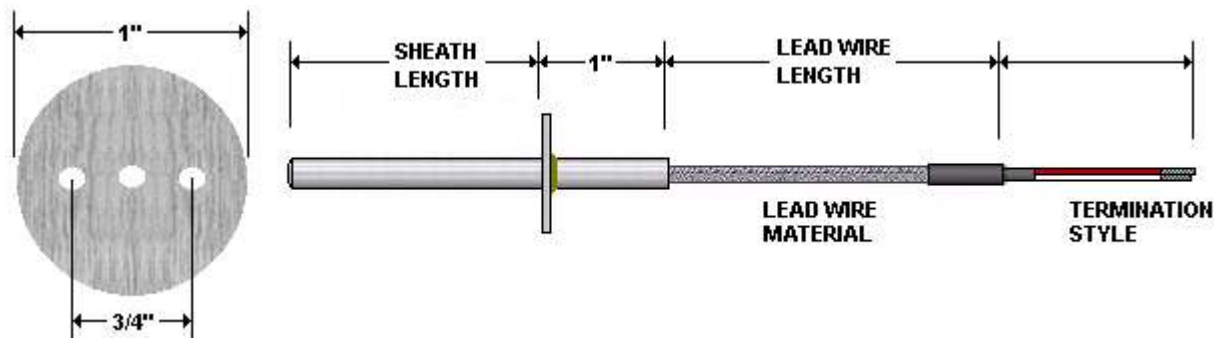


East Coast Sensors

Mounting flange thermocouple Series TB4



Ordering Information Part Number

① TB4	② Calibration	③ Sheath Diameter	④ Insertion Length (Whole In.)	⑤ Insertion Length (Fractional In.)	⑥ Junction	⑦ Mounting Flange	⑧ Lead wire material	⑨ Lead wire length (In.)	⑩ Termination Style	⑪ Special Features
TB4										

Optional

② Calibration
J Type J (standard)
K Type K
T Type T
E Type E

③ Sheath Diameter
H .125" (3.2mm) (1/8")
J .156" (4mm)
L .188" (4.6mm) (3/16") (standard)
M .236 (6mm)
N .250" (6.4mm) (1/4")
Note Sizes for reference only (standard tolerances apply)

④ Insertion Length (whole in.)
001-059" Specify in Inches

⑤ Insertion Length (fractional in.)
A 0
B 1/8"
C 1/4"
D 3/8"
E 1/2"
F 5/8"
G 3/4"
H 7/8"

⑥ Junction
G Grounded (standard) (Single Junction)
U Ungrounded (Single Junction)
E Exposed (Single Junction)
W Grounded (Dual Junction)
Y Ungrounded Common (Dual)
Z Exposed & Isolated (Dual)

⑦ Mounting Flange
X 1" Diameter mounting flange

⑧ Lead wire material
A Fiberglass (800°F)
B Fluoropolymer (400°F)
C Polyimide (500°F)
E High temperature fiberglass (1200°F)
F Fiberglass with stainless steel braid (800°F) (standard)
G Fluoropolymer with stainless steel braid (400°F)
H Fiberglass with armor cable (800°F)
J Fluoropolymer with armor cable (400°F)
K Polyimide with armor cable (500°F)
L High temperature fiberglass with armor cable (1200°F)
M Fiberglass/ stainless steel braid with armor cable (800°F)
W Fluoropolymer with stainless steel braid with armor cable (400°F)
Note Wire gauge based on sheath diameter

⑨ Lead wire length (in.)
006"-600" Specify in Inches
Note Over 600" contact factory

⑩ Termination style
A 2" stripped leads (bare ends)
B 2" stripped leads w/ spade lugs
C Standard male plug (400°F)
D High temp male Plug (660°F)
E Max temp male Plug (800°F)
G Solid pin plug (400°F)
H Standard female jack (400°F)
J Miniature plug (400°F)
M 2 Standard male plugs (dual junctions) (400°F)
N Standard 3 pin plug w/ ground wire (400°F)
P Dual molded male plug (400°F)
W 2" stripped leads w/ pin terminals
Q 2" stripped leads w/ wire ferrules
X Extra long lead wire length (beyond 2" stripped leads) (specify extra long lead wire length below)
006"-240" 006"-240" Specify in Inches

⑪ Special features (Optional)
Note Leave blank for no special features
01 Solid conductor (Lead wire)
02 1.5" long strain relief spring
03 1.5" long heat shrink where wire exits the probe
04 Flat tip probe
05 Drill point tip
06 Epoxy seal (500°F)
07 Cable clamp
08 Bx Connector
09 Mating connector
11 International IEC 584-3 color coded leads
12 British color coded leads
13 German color coded leads
14 Japanese color coded leads
18 Moisture protection boot on connector
21 Fluoropolymer coated armor cable
24 Fluoropolymer covered probe

- Dual junction only available in diameters .156" and larger
- Mounting holes are 4mm ID
- Flange is silver soldered to probe

