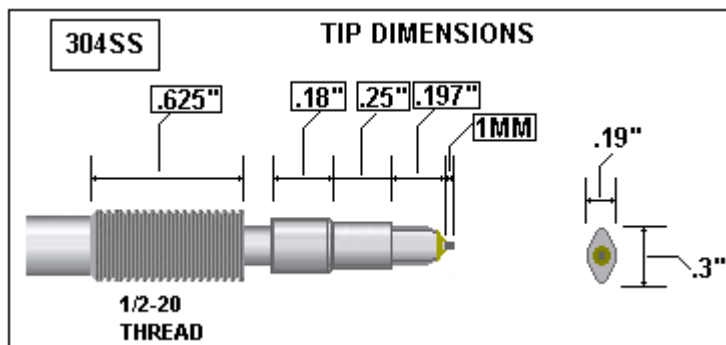
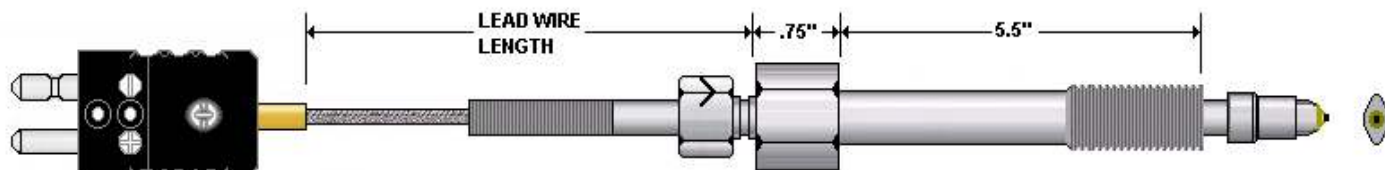


East Coast Sensors

Elliptical tip melt bolt type thermocouple Style TK5



Ordering Information Part Number

① TK5	② Melt bolt style	③ Elliptical tip length	④ Calibration	⑤ Tip Diameter (In.)	⑥ Junction	⑦ Lead wire material	⑧ Lead wire length (In.)	⑨ Termination style	⑩ Special Features
TK5	E			P					

② Melt bolt style
E Adjustable elliptical tip (316SS)

③ Elliptical tip length
05 5MM
14 14MM

④ Calibration
J Type J (standard)
K Type K
T Type T
E Type E
W Type J (special limits)
X Type K (special limits)
Y Type T (special limits)
Z Type E (special limits)

⑤ Tip Diameter (In.)
P .190" X .300"

⑥ Junction
G Grounded (Single) (standard)
U Ungrounded (Single)

⑦ Lead wire material
A Fiberglass (800°F)
B Teflon FEP (400°F)
C Kapton (500°F)
F Fiberglass with stainless steel braid (800°F) (standard)
G Teflon FEP with stainless steel braid (400°F)
H Fiberglass with armor cable (800°F)
J Teflon FEP with armor cable (400°F)
K Kapton with armor cable (500°F)
M Fiberglass/ Stainless steel braid with armor cable (800°F)
W Teflon with stainless steel braid with armor cable (400°F)
Note Wire gauge based on sheath diameter

⑧ Lead wire length (In.)
012"-960" Specify in Inches
Note Over 960" contact factory

⑨ Termination style
A 2" stripped leads (bare ends)
B 2" stripped leads w/ spade lugs
C Standard male plug (400°F)
D High temp male Plug (660°F)
E Max temp male Plug (800°F)
G Solid pin plug (400°F)
H Standard female jack (400°F)
J Miniature plug (400°F)
K Miniature jack (400°F)
W 2" stripped leads w/ pin terminals
Q 2" stripped leads w/ wire ferrules
X Extra long lead wire length (beyond 2" stripped leads) (specify extra long lead wire length below)
006"-240" 006"-240" Specify in Inches

⑩ Special features (Optional)
Note Leave blank for no special features
07 Cable clamp
08 BX Connector
09 Mating connector
18 Moisture protection boot on connector

- Elliptical tip aligns with indicating arrow on adjusting hex
- ECS elliptical tip melt bolt thermocouples are mineral insulated for better tip sensitivity and durability

Compare to Graff 7043 & Gefran TCMGF



Contact factory for other configurations 800-722-4592