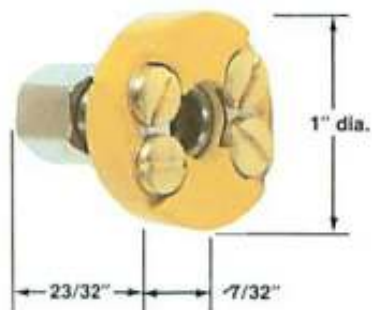
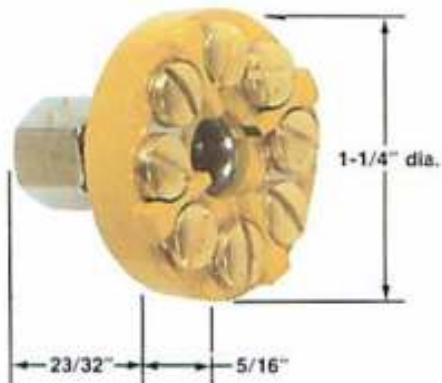
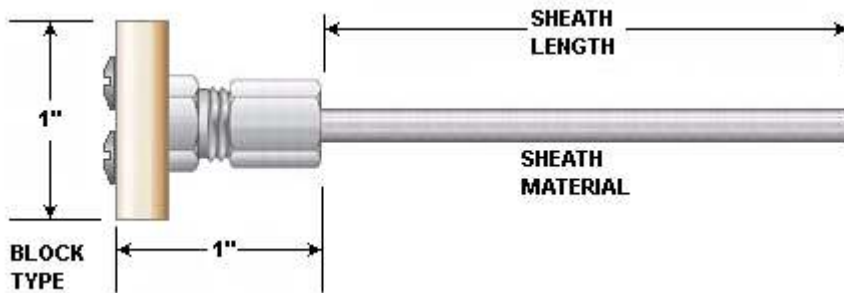


# East Coast Sensors

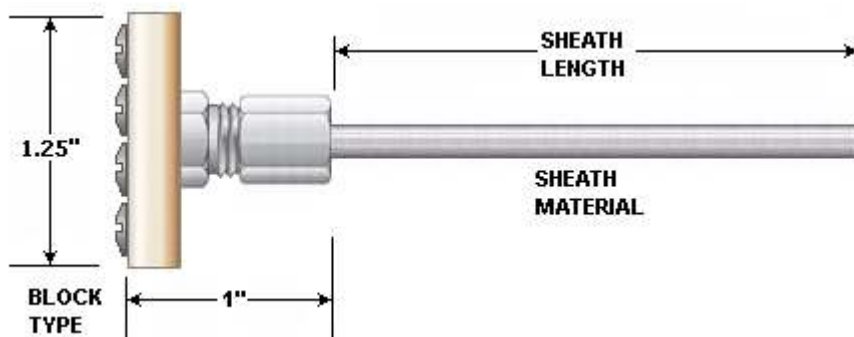
**Mineral insulated thermocouple  
with compensated mini terminal block 800°F  
Style TM3**



**SINGLE  
ELEMENT**



**DUAL  
ELEMENT**



## Ordering Information Part Number

① TM3	② Calibration	③ Sheath Diameter	④ Sheath Material	⑤ Sheath Length (whole in.)	⑥ Sheath Length (fractional in.)	⑦ Junction	⑧ Mini terminal block type
TM3							

② Calibration	
J	Type J
K	Type K
T	Type T
E	Type E
W	Type J (special limits)
X	Type K (special limits)
Y	Type T (special limits)
Z	Type E (special limits)

③ Sheath Diameter	
L	.188" (4.6mm) (3/16")
N	.250" (6.4mm) (1/4")

④ Sheath Material	
F	304 SS
H	316 SS
M	INCONEL (600)
N	446 SS
P	310 SS
Q	Hastelloy

⑤ Sheath Length	
001"-144"	Specify in Inches
Note	Over 144" contact factory

⑥ Sheath Length (fractional in.)	
A	0
B	1/8"
C	1/4"
D	3/8"
E	1/2"
F	5/8"
G	3/4"
H	7/8"

⑦ Junction	
G	Grounded (Single)
U	Ungrounded (Single)
E	Exposed (Single)
W	Grounded (Dual)
X	Ungrounded & Isolated (Dual)
Y	Ungrounded Common (Dual)
Z	Exposed & Isolated (Dual)
Note	Ungrounded & Isolated (option "X") only available in .188"OD & larger

⑧ Mini terminal block type	
01	high temp thermo-set 800°F



Contact factory for other configurations 800-722-4592