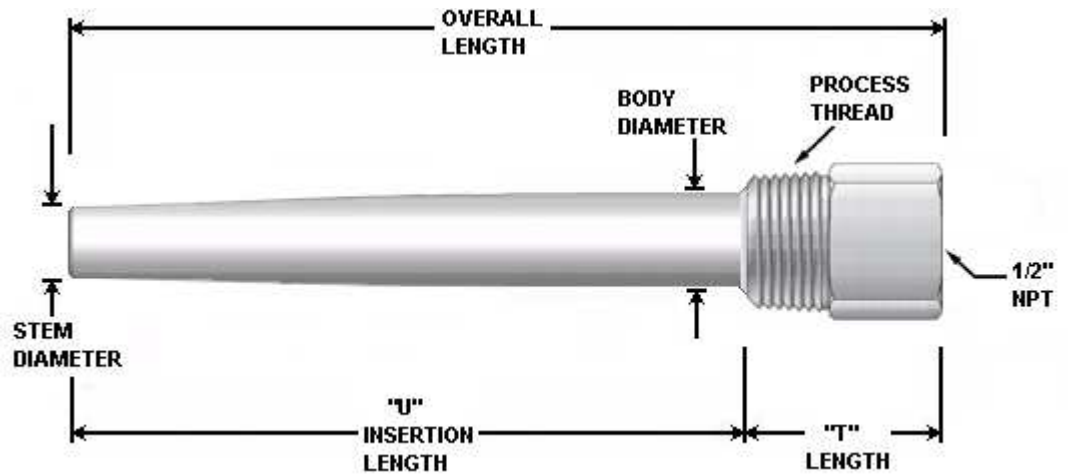


Tapered threaded bar stock thermowell

Series 102



Ordering Information Part Number

① 102	② Process Thread/ Diameter	③ Bore Size	④ "U" Insertion Length	⑤ "U" Insertion Length (Fractional In.)	⑥ "T" Length	⑦ Well Material
102						

②	Process Thread x Body diameter x Stem diameter
X	1/2"NPT x .688" x .625"
Y	3/4"NPT x .875" x .75"
Z	1"NPT x 1" x .75"

③	Bore Size
G	.265"
H	.390"

④	"U" Insertion Length (Whole In.)
002"-048"	Specify in Inches
	<i>Over 960" contact factory</i>

⑤	"U" Insertion Length (fractional in.)
A	0
B	1/8"
C	1/4"
D	3/8"
E	1/2"
F	5/8"
G	3/4"
H	7/8"

⑥	"T" Length
F	1.75"

⑦	Well Material
M	304SS
P	316 SS
Q	310 SS
R	316 L SS
S	410 SS
T	446 SS
K	Inconel 600 (Alloy 600)
W	Hastelloy B
X	Hastelloy C
Y	Carbon Steel
Z	Alloy 800 (Incoloy)

- **Not all bore sizes available in all configurations**
- **Diameter is determined by bore size**
- **Other well materials available**