

C-A19-A Series

A19 LED Basic Series Lamps

A19 ENERGY STAR Series Lamps

Replaces 40W, 60W, & 75W Incandescents

C-LITE®

A19 LED Basic and ENERGY STAR Series lamps provide the best combination of performance and value for residential and commercial applications. These lamps deliver up to 1,100 lumens of 2700K and 3000K light, consuming less energy than the incandescent bulbs they replace.



PRODUCT SPECIFICATIONS

OVERVIEW

- CRI: ≥80
- CCT: 2700K, 3000K (60W only)
- Distribution: Omnidirectional
- Operating Minimum: -25°C (-13°F)
- Power Factor: > 0.9
- Total Harmonic Distortion: < 20%
- Suitable for damp location but not for use where exposed directly to weather or water
- Not Suitable For Use in Enclosed Fixtures

BASIC SERIES

ENERGY STAR SERIES (40W/60W/70W)

- Initial Delivered Lumens: 440L/ 750L/ 1050L
- Input Power: 5.5W/ 9W/ 11W
- Dimmable: No
- ENERGY STAR: No
- Limited Warranty: 1 Year
- Lifespan: Estimated 10,000 Hours
- Initial Delivered Lumens: 450L/ 800L/ 1100L
- Input Power: 6W/ 9W/ 12W
- Dimmable: Yes, to 10%
- ENERGY STAR: Yes
- Limited Warranty: 3 Year
- Lifespan: Estimated 15,000 Hours (E26)
Estimated 25,000 Hours (GU24)
- Meets CA Title 20 Requirements

EFFICIENT	DURABLE	RECOMMENDED USE	INPUT VOLTAGE
• Up to 95 LPW	• Durable plastic housing protects LEDs and power supply	• New construction/retrofit upgrade for residential and commercial lighting	• 120V

ORDERING INFORMATION

Example: C-A19-A-60W-ND-27K-B4 Basic Series

Example: C-A19-A-60W-DIM-27K-B2 Energy Star Series

C-A19-A	PRODUCT	WATT EQUIVALENT	CRI	DIMMING	CCT	BASE TYPE	PACKAGING OPTIONS
	C-A19-A	40W 40 Watt, 440 Lumens, 5.5W 60W 60 Watt, 750 Lumens, 9W 75W 75 Watt, 1,050 Lumens, 11W	Blank ≥80	ND Non-Dimming	27K Warm White (2700K) 30K Soft White (3000K) - 60W only	Blank E26 Edison Base	B4 4-Pack (40W/60W) B2 2-Pack (75W)
		40W 40 Watt, 450 Lumens, 6W 60W 60 Watt, 800 Lumens, 9W 75W 75 Watt, 1,100 Lumens, 12W	Blank ≥90	DIM Dimming	27K Warm White (2700K) 30K Soft White (3000K) - 60W only	Blank E26 Edison Base GU24 GU24 Base 60W Only	B2 2-Pack

Note: For master cartons order twelve multi-packs.

CERTIFICATIONS:

US: c-lite.com T (800) 236-6800 F (262) 504-5415

Canada: creelighting-canada.com T (800) 473-1234 F (800) 890-7507

Rev. Date: V2 08/20/2019

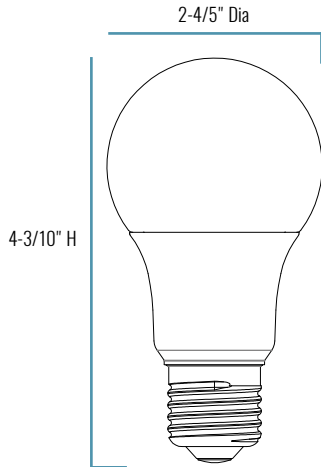
For informational purposes only. Content is subject to change. *See creelighting.com/warranty for details



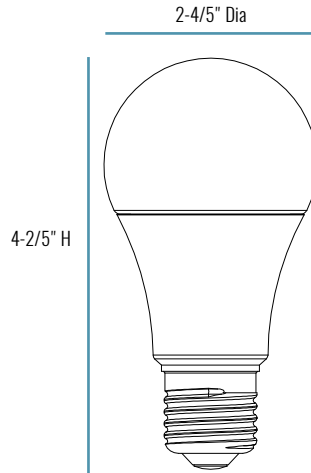
ENERGY STAR Series Only

C-A19-A Series

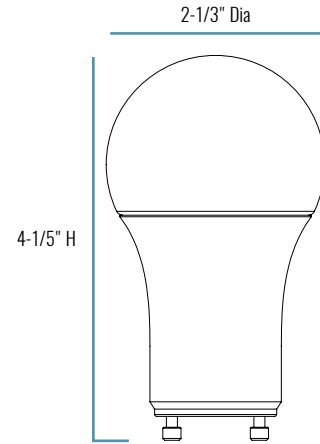
40W/60W



75W



60W



SERIES OVERVIEW

DIMENSIONS	PRODUCT WEIGHT	MOUNTING HEIGHT	SPACING
40W / 60W (E26) : 4-3/10" H x 2-4/5" Dia 75W (E26) : 4-2/5" H x 2-4/5" Dia 60W (GU24) : 4-1/5" H x 2-1/3" Dia	0.1 Ounces	N/A	N/A

FIXTURE SPECIFICATIONS

HOUSING	Durable Plastic Housing protects LED and housing supply
OPTICAL	Omnidirectional light distribution Plastic globe offers increased optical spread

Part Number	Lamp Type	Wattage Equivalent	CCT	Lumens	Energy Used (Watts)	Lumens Per Watt (LPW)	Rated Life (Hours)	Dimmable	Limited Warranty	Base Type	Pack Size
C-A19-A-40W-ND-27K-B4	A19	40W	2700K	440	5.5	80	10,000	No	1 Year	E26	4
C-A19-A-40W-DIM-27K-B2	A19	40W	2700K	450	6	75	15,000	Yes, to 10%	3 Year	E26	2
C-A19-A-60W-ND-27K-B4	A19	60W	2700K	750	9	84	10,000	No	1 Year	E26	4
C-A19-A-60W-DIM-27K-B2	A19	60W	2700K	800	9	89	15,000	Yes, to 10%	3 Year	E26	2
C-A19-A-60W-ND-30K-B4	A19	60W	3000K	750	9	84	10,000	No	1 Year	E26	4
C-A19-A-60W-DIM-30K-B2	A19	60W	3000K	800	9	89	15,000	Yes, to 10%	3 Year	E26	2
C-A19-A-75W-ND-27K-B2	A19	75W	2700K	1,050	11	95	10,000	No	1 Year	E26	2
C-A19-A-75W-DIM-27K-B2	A19	75W	2700K	1,100	12	92	15,000	Yes, to 10%	3 Year	E26	2
C-A19-A-60W-DIM-27K-GU24-B2	A19	60W	2700K	800	9	89	25,000	Yes, to 10%	3 Year	GU24	2
C-A19-A-60W-DIM-30K-GU24-B2	A19	60W	3000K	800	9	89	25,000	Yes, to 10%	3 Year	GU24	2



© 2019 Cree Lighting, A company of IDEAL INDUSTRIES. All rights reserved. For informational purposes only. Content is subject to change. Patent www.creelighting.com/patents. C-LITE® and the C-LITE logo are registered trademarks of Cree Lighting, A company of IDEAL INDUSTRIES. The UL logo is a registered trademark of UL LLC. ENERGY STAR® and the ENERGY STAR logo are registered trademarks of the U.S. Environmental Protection Agency.

US: c-lite.com T (800) 236-6800 F (262) 504-5415

Canada: creelighting-canada.com T (800) 473-1234 F (800) 890-7507

Rev. Date: V2 08/20/2019

For informational purposes only. Content is subject to change. *See creelighting.com/warranty for details

C-LITE®