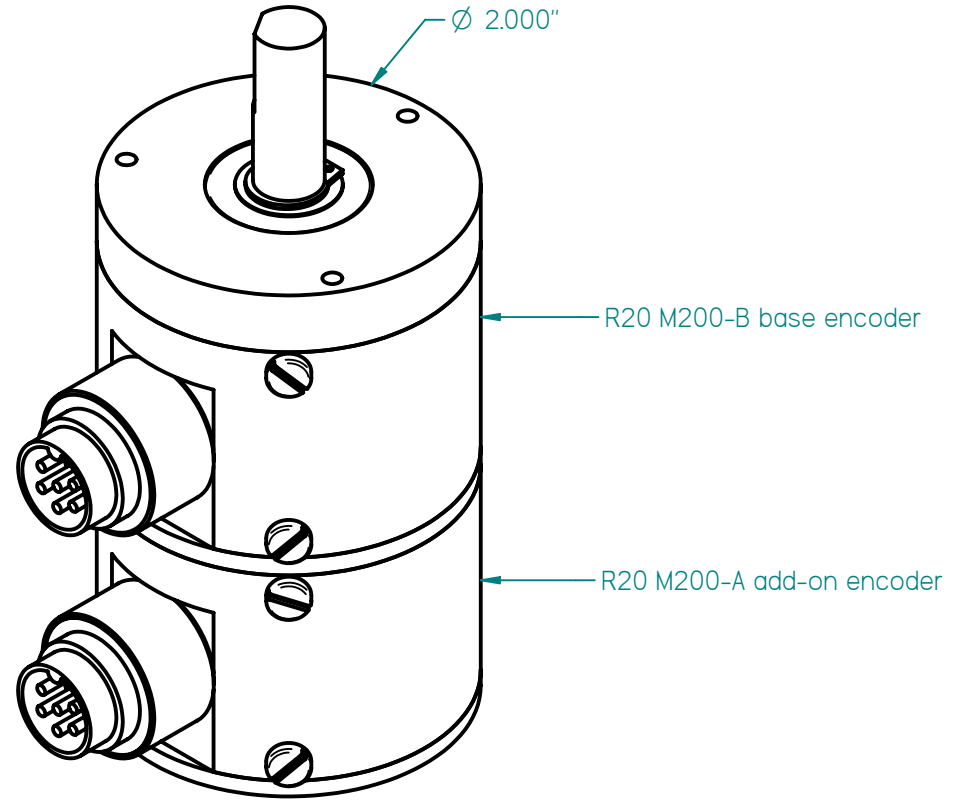
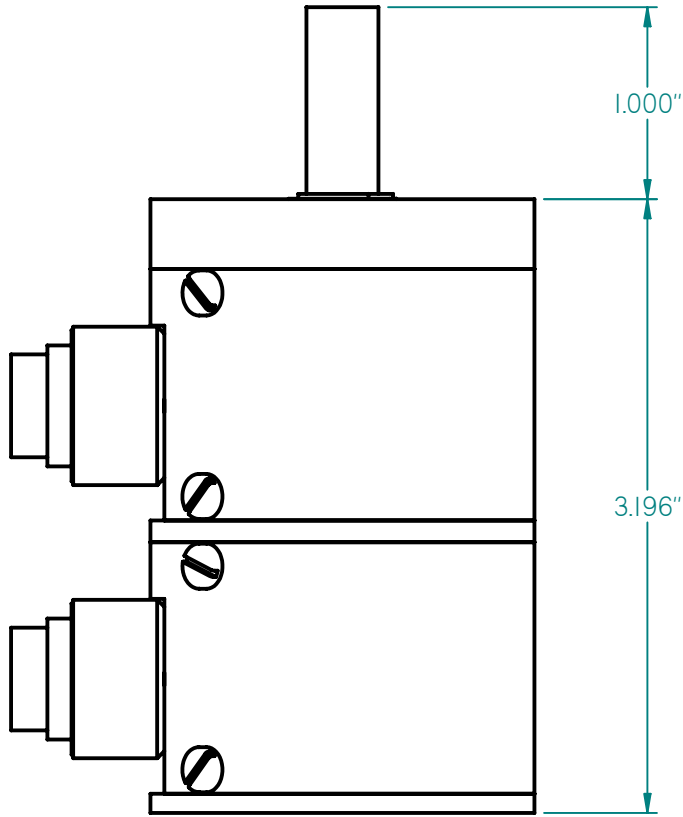


Shown with connectors, also available with attached cables.

See the R20 datasheet for more information.



Rev	Description	Date	This information is approved only if it is stamped "APPROVED", signed, and dated.	Tolerances	M200: Multiple R20 encoders built on a common shaft		
			This document is provided for a specific purpose and the disclosed information remains our property. It may not be disclosed, copied, or reproduced, except for the specific purpose, without Photocraft's prior approval. This notice must appear on any copy or reproduction of this document. © 2007, Photocraft Inc.	.XXXX ± .0005 .XXX ± .005 .XX ± .01 .X ± .015	By: TRD	Mat'l:	
				Fractions ± 1/32 Angles ± 15 min Runout ± .003 <small>unless otherwise specified</small>	Orig. Date: 9/21/07	Finish:	Scale: 1 : 1
					Photocraft Inc 602 E. North Street, Elburn IL 60119, USA www.photocraftencoders.com		8A200