

Noctura Series

LED Area Luminaires

Rev. Date: V3 09/18/2019

Product Description

The Noctura™ LED Area luminaire minimizes cost of ownership with easy installation, high performance and quality backed by a Cree Lighting 5-year limited warranty. The Noctura Series has a coordinated style across area, flood and wall mount luminaires to provide a consistent daytime appearance across a building site or campus. Versatile mounting configurations offer installation flexibility and ease of application for direct pole, tenon or vertical flat surface mounting.

Applications: Ideal for both retrofit and new installation: parking area, security, or site pathway applications.

Performance Summary

Lumen Output: Up to 35,600 lumens

Efficacy: Up to 155 LPW

CRI: Minimum 70 CRI

CCT: 3000K, 4000K, 5000K

Limited Warranty*: 5 years on luminaire

* See <http://creelighting.com/warranty> for warranty terms

Accessories

Field-Installed		
Backlight Shield	Bird Spikes	Cable
NTA-BLSF-11L - For use with 11L only	NTA-BRDSPK-19L - For use with 19L only	NTX-QC-5 - 5' (1.5m) cable replacement
NTA-BLSF-19L - For use with 19L only	NTA-BRDSPK-35L - For use with 35L only	
NTA-BLSF-35L - For use with 35L only		

Ordering Information

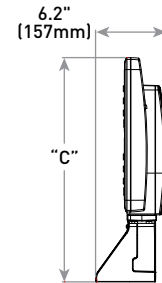
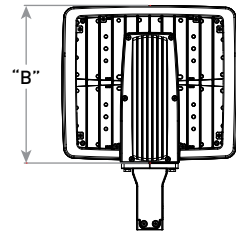
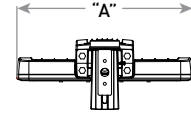
Fully assembled luminaire is composed of two components that must be ordered separately:

Example: **Mount:** NTA-DA-BZ + **Luminaire:** NTA-A-NM-T3-11L-40K-UL-BZ

Mount (Luminaire must be ordered separately)*		
Direct Arm Mounts NTA-DA-BZ - Direct Arm Mount NTX-3R-BZ - Extended Arm includes a NEMA® 3-Pin Photocell Receptacle and a knockout for an Occupancy Sensor - Must be used with NTA-DA-BZ mount	Adjustable Arm Mounts NTX-AA-BZ - Adjustable Arm Mount w/knockout for Field-Installed Button Photocell (by others) NTX-AA-3R-BZ - Adjustable Arm Mount w/NEMA® 3-Pin Photocell Receptacle NTX-3R-BZ - Extended Arm includes a NEMA® 3-Pin Photocell Receptacle and a knockout for an Occupancy Sensor - Must be used with NTX-AA-BZ mount	Trunnion Mounts NTX-TR-BZ - Trunnion Mount NTX-TR-3R-BZ - Trunnion Mount w/NEMA® 3-Pin Photocell Receptacle NTX-TR-PK-BZ - Trunnion Mount w/knockout for Field-Installed Button Photocell (by others) NTX-3R-BZ - Extended Arm includes a NEMA® 3-Pin Photocell Receptacle and a knockout for an Occupancy Sensor - Must be used with NTX-TR-BZ mount

Note: Photocell or shorting cap by others

11L
Direct Mount
NTA-DA-BZ



Lumen Package	Weight**	Dim "A"	Dim "B"	Dim "C"
11L*	12.5 lbs. (5.7kg)	10.6" (269mm)	12.9" (328mm)	18.7" (476mm)
19L*	16.0 lbs. (7.3kg)	15.4" (391mm)	13.8" (351mm)	19.6" (499mm)
35L*	21.1 lbs. (9.6kg)	15.4" (391mm)	19.8" (502mm)	25.6" (650mm)

* See page 3-5 for additional line drawings

** Includes housing & mount (for housing weight only refer to page 2)

NTA	A	NM					BZ
Product	Version	Mounting	Optic	Lumen Package**	CCT	Voltage	Color Options
NTA	A	NM No Mount	T3* Type III Medium T4* Type IV Medium T5 Type V Medium	11L 11,000 lumens 19L 19,000 lumens 35L 35,000 lumens	30K*** 3000K 40K 4000K 50K 5000K	UL Universal 120-277V UH Universal 347-480V	BZ Bronze

* Available with Backlight Shield when ordered with field-installed accessory (see table above)

** Lumen Package codes identify approximate light output only. Actual lumen output levels may vary depending on CCT and optic selection. Refer to Initial Delivered Lumen tables for specific lumen values

*** Limited availability, consult factory



CREE **LIGHTING**

US: creelighting.com (800) 236-6800

Canada: creelighting-canada.com (800) 473-1234

Product Specifications

CONSTRUCTION & MATERIALS

- Slim, low profile design minimizes wind load requirements
- Luminaire housing is rugged die cast aluminum with weathertight integral LED driver compartment which is specifically designed for advanced LED thermal management
- Housing and mounting accessories finished in polyester powder coat paint, 2.5 mil nominal thickness
- Mounting options include: adjustable arm w/knockout provision for field-installed button type photocell (by others), adjustable arm w/NEMA® 3-Pin photocell receptacle, trunnion mount, trunnion mount w/NEMA® 3-Pin photocell receptacle, trunnion mount w/knockout provision for field-installed button type photocell (by others), and direct arm mount
- Extension arm accessory for adjustable, direct and trunnion mounts provides both a NEMA® 3-Pin photocell receptacle and a knockout provision for a field-installed occupancy sensor (by others)
- Photocell or shorting cap by others
- Adjustable arm mount is constructed of rugged die cast aluminum and mounts to 2" (51mm) IP, 2.375" (60mm) O.D. tenons. It includes tooth lock aiming that can be adjusted from 0° (horizontal) to 45° in 5° increments
- Trunnion mount features rugged steel construction, mounts to vertical flat surfaces, and can be adjusted from 0° (horizontal) to 45° in 15° increments
- Direct arm is constructed of rugged die cast aluminum and mounts to 3-6" (76-152mm) square poles or 4-5" (102-127mm) round poles with (2) 5/16" bolts
- Mount secures to luminaire housing with (4) 5/16" bolts and lock washers (included)
- Designed for downlight applications only, 45-degree tilt maximum
- **Housing Weight:** 11L-8.6 lbs. (3.9kg); 19L-12.1 lbs. (5.5kg); 35L-17.2 lbs. (7.8kg)

OPTICS

- Mid-power LED array Area optics are available in IESNA Type III, IV and V distributions for 3000K, 4000K and 5000K CCTs with a minimum of 70 CRI. Efficacies up to 155 LPW for minimal energy consumption. Backlight shields are available for light trespass and glare control.

ELECTRICAL SYSTEM

- **Input Voltage:** 120-277V or 347-480V, 50/60Hz, Class 1 drivers
- **Power Factor:** > 0.9 at full load
- **Total Harmonic Distortion:** < 20% at full load
- Integral 10kV surge suppression protection standard
- When code dictates fusing, a slow blow fuse or type C/D breaker should be used to address inrush current
- Quick connect supply cord makes installation easy
- Designed with 0-10V dimming capabilities. Controls by others
- **10V Source Current:** 0.20 mA
- **Operating Temperature Range:** -30°C - +40°C (-22°F - +104°F)

REGULATORY & VOLUNTARY QUALIFICATIONS

- cULus Listed
- Suitable for wet locations
- Enclosure meets IP65 requirements per IEC 60529
- Certified to ANSI C136.31-2001, 1.5G vibration standards
- ANSI C136.2 10kV surge protection, tested in accordance with IEEE/ANSI C62.41.2
- Meets FCC Part 15, Subpart B, Class A limits for conducted and radiated emissions
- RoHS compliant. Consult factory for additional details
- Dark Sky Friendly, IDA Approved when ordered with 30K CCT and direct mount only. Please refer to <http://darksky.org/fsa/fsa-products/> for most current information
- DLC Premium qualified. Please refer to <https://www.designlights.org/search/> for most current information
- **CA RESIDENTS WARNING:** Cancer and Reproductive Harm - www.p65warnings.ca.gov

Electrical Data*							
Lumen Package	System Watts 120-480V	Total Current (A)					
		120V	208V	240V	277V	347V	480V
11L	75	0.75	0.40	0.35	0.30	0.24	0.17
19L	130	1.30	0.75	0.65	0.56	0.45	0.33
35L	230	2.30	1.33	1.15	1.00	0.80	0.58

* Electrical data at 25°C (77°F). Actual wattage may differ by +/- 10% when operating between 120-277V or 347-480V +/-10%

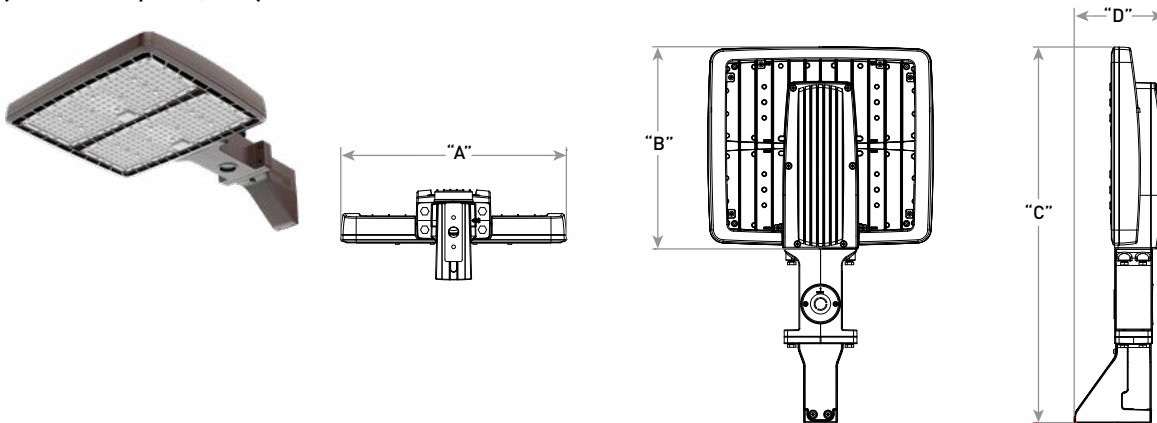
Noctura Series Ambient Adjusted Lumen Maintenance ¹					
Ambient	Initial LMF	25K hr Reported ² LMF	50K hr Reported ² LMF	75K hr Estimated ³ LMF	100K hr Estimated ³ LMF
5°C (41°F)	1.04	0.98	0.92	0.87	0.87
15°C (59°F)	1.02	0.96	0.91	0.85	0.85
25°C (77°F)	1.00	0.94	0.89	0.83	0.83
30°C (86°F)	0.99	0.93	0.88	0.83	0.83
35°C (95°F)	0.98	0.93	0.87	0.82	0.82
40°C (104°F)	0.97	0.91	0.85	0.80	0.80

¹ Lumen maintenance values at 25°C (77°F) are calculated per IES TM-21 based on IES LM-80 report data for the LED package and in-situ luminaire testing. Luminaire ambient temperature factors (LATF) have been applied to all lumen maintenance factors. Please refer to the [Temperature Zone Reference Document](#) for outdoor average nighttime ambient conditions.

² In accordance with IES TM-21, Reported values represent interpolated values based on time durations that are up to 6x the tested duration in the IES LM-80 report for the LED

³ Estimated values are calculated and represent time durations that exceed the 6

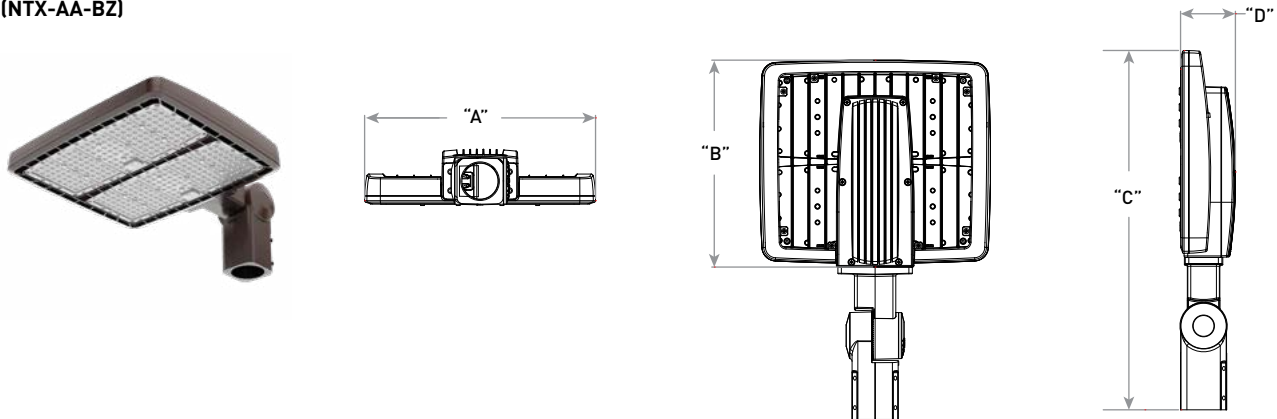
19L
Direct Mount w/ Extended Arm, NEMA® 3-Pin Photocell Receptacle, and Occupancy Sensor Knockout
(NTA-DA-BZ w/NTX-3R-BZ)



Lumen Package	Weight*	Dim "A"	Dim "B"	Dim "C"	Dim "D"
11L	15.0 lbs. (6.8kg)	10.6" [269mm]	12.9" [327mm]	24.7" [628mm]	6.2" [157mm]
19L	18.4 lbs. (8.4kg)	10.6" [269mm]	13.8" [350mm]	25.6" [651mm]	6.2" [157mm]
35L	23.5 lbs. (10.7kg)	15.4" [391mm]	19.8" [502mm]	31.5" [801mm]	6.2" [158mm]

* Includes housing & mount (for housing weight only refer to page 2)

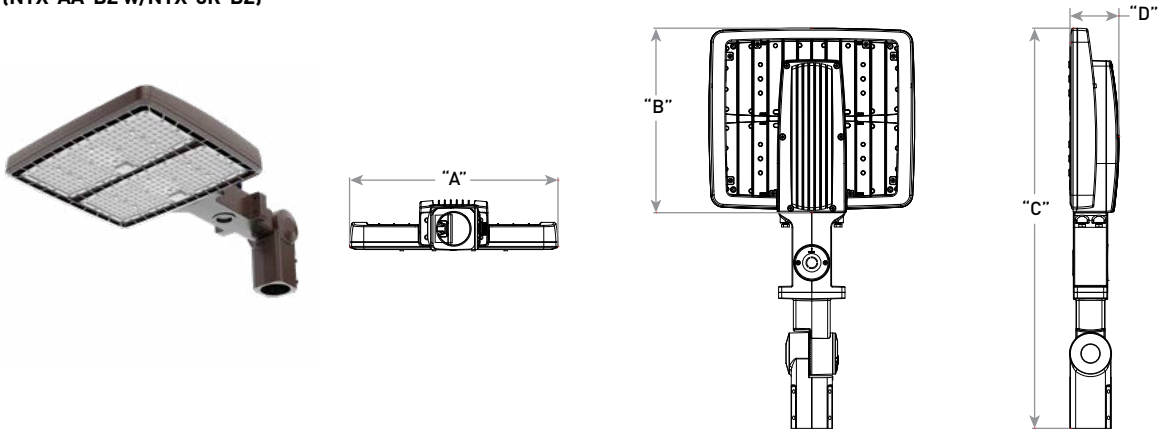
19L
Adjustable Arm Mount w/Knockout for Field-Installed Button Photocell (by others)
(NTX-AA-BZ)



Lumen Package	Weight	Dim "A"	Dim "B"	Dim "C"	Dim "D"
11L	12.3 lbs. [5.6kg]	10.6" [269mm]	12.9" [327mm]	23.0" [585mm]	3.6" [92mm]
19L	15.8 lbs. [7.2kg]	15.4" [391mm]	13.8" [350mm]	23.9" [608mm]	3.7" [93mm]
35L	20.9 lbs. [9.5kg]	15.4" [391mm]	19.8" [502mm]	29.9" [760mm]	3.8" [95mm]

* Includes housing & mount (for housing weight only refer to page 2)

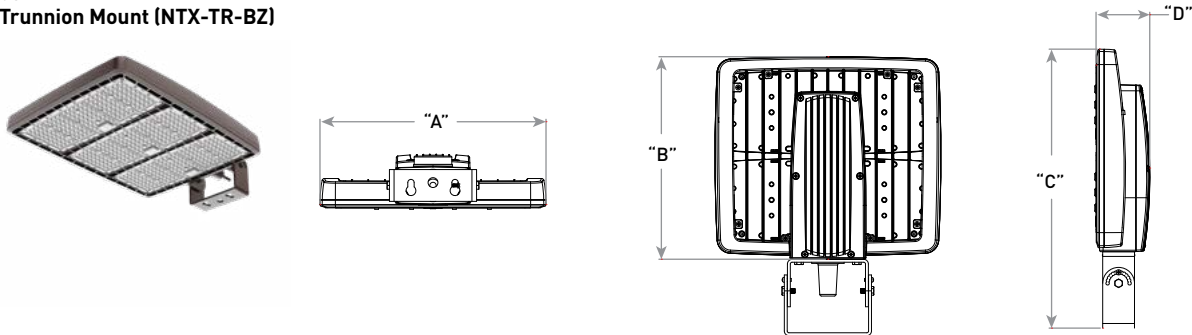
19L
Adjustable Arm Mount w/ Extended Arm, NEMA® 3-Pin Photocell Receptacle, and Occupancy Sensor Knockout
(NTX-AA-BZ w/NTX-3R-BZ)



Lumen Package	Weight*	Dim "A"	Dim "B"	Dim "C"	Dim "D"
11L	14.7 lbs. [6.7kg]	10.6" [269mm]	12.9" [327mm]	29.0" [737mm]	3.6" [92mm]
19L	18.2 lbs. [8.3kg]	15.4" [391mm]	13.8" [350mm]	29.9" [760mm]	3.7" [93mm]
35L	23.3 lbs. [10.6kg]	15.4" [391mm]	19.8" [502mm]	35.9" [911mm]	3.8" [95mm]

* Includes housing & mount (for housing weight only refer to page 2)

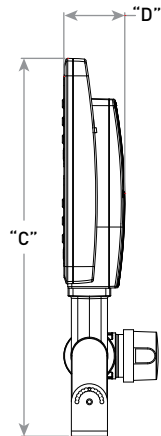
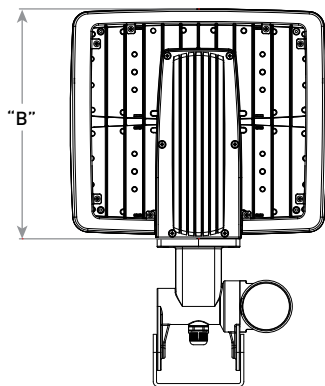
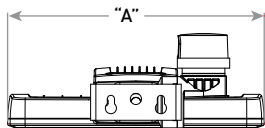
35L
Trunnion Mount (NTX-TR-BZ)



Lumen Package	Weight*	Dim "A"	Dim "B"	Dim "C"	Dim "D"
11L	11.7 lbs. [5.3kg]	10.6" [269mm]	12.9" [327mm]	18.1" [459mm]	3.6" [92mm]
19L	15.2 lbs. [6.9kg]	15.4" [391mm]	13.8" [350mm]	19.0" [482mm]	3.7" [93mm]
35L	20.3 lbs. [9.2kg]	15.4" [391mm]	19.7" [502mm]	25.0" [634mm]	3.7" [93mm]

* Includes housing & mount (for housing weight only refer to page 2)

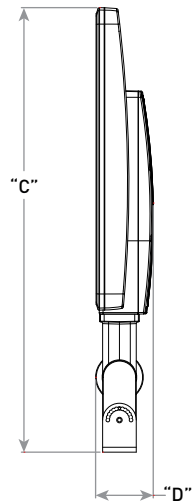
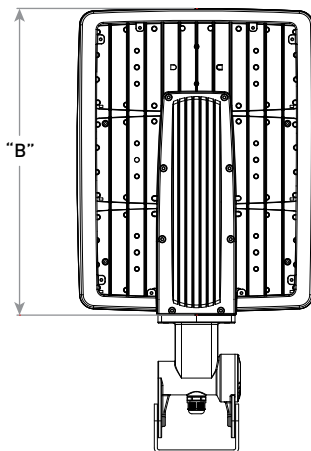
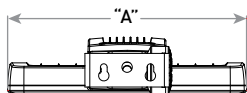
19L
Trunnion Mount w/NEMA® 3-Pin Photocell Receptacle
(NTX-TR-3R-BZ)



Lumen Package	Weight*	Dim "A"	Dim "B"	Dim "C"	Dim "D"
11L	12.8 lbs. (5.8kg)	10.7" (273mm)	12.9" (327mm)	21.8" (553mm)	3.6" (92mm)
19L	16.2 lbs. (7.3kg)	15.4" (391mm)	13.8" (350mm)	22.7" (576mm)	3.7" (93mm)
35L	21.3 lbs. (9.7kg)	15.4" (391mm)	19.8" (502mm)	28.6" (727mm)	3.7" (94mm)

* Includes housing & mount [for housing weight only refer to page 2]

19L
Trunnion Mount w/Knockout for Field-Installed Button Photocell (by others)
(NTX-TR-PK-BZ)



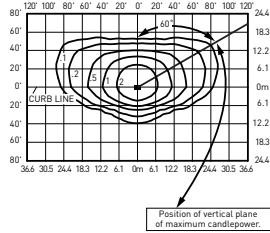
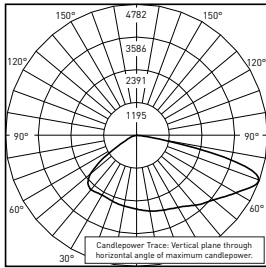
Lumen Package	Weight*	Dim "A"	Dim "B"	Dim "C"	Dim "D"
11L	12.8 lbs. (5.8kg)	10.6" (269mm)	12.9" (327mm)	21.8" (553mm)	3.6" (92mm)
19L	16.2 lbs. (7.3kg)	15.4" (391mm)	13.8" (350mm)	22.7" (576mm)	3.7" (93mm)
35L	21.3 lbs. (9.7kg)	15.4" (391mm)	19.8" (502mm)	28.6" (727mm)	3.7" (94mm)

* Includes housing & mount [for housing weight only refer to page 2]

Photometry

All published luminaire photometric testing performed to IESNA LM-79-08 standards. To obtain an IES file specific to your project consult: <http://www.creelighting.com/products/outdoor/area/noctura-area>

T3



Ningbo TengLi Testing Co. Test Report #:
 STD190155NB-LA
 NTA-A-**-T3-11L-30K-UL-**
Initial Delivered Lumens: 11,559

NTA-A-**-T3-11L-30K-UL-**
Mounting Height: 25' (7.6m) A.F.G.
Initial Delivered Lumens: 10,725
 Initial FC at grade

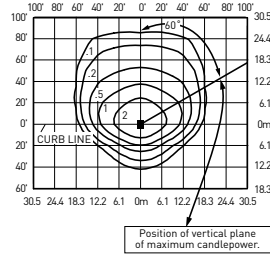
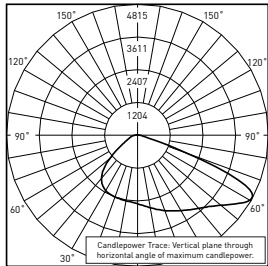
Type III Medium Distribution						
Lumen Package	3000K			4000K/5000K		
	Initial Delivered Lumens*	BUG Ratings** Per TM 15 11	Efficacy (LPW)	Initial Delivered Lumens*	BUG Ratings** Per TM 15 11	Efficacy (LPW)
11L	10,725	B2 U0 G2	143	11,475	B3 U0 G2	153
19L	18,000	B3 U0 G3	138	19,200	B3 U0 G3	148
35L	34,100	B4 U0 G3	148	35,600	B4 U0 G3	155

* Initial delivered lumens at 25°C (77°F). Actual production yield may vary between -10 and +10% of initial delivered lumens
 ** For more information on the IES BUG (Backlight-Uplight-Glare) Rating visit: <https://www.ies.org/wp-content/uploads/2017/03/TM-15-11BUGRatingsAddendum.pdf>. Valid with no tilt

Photometry

All published luminaire photometric testing performed to IESNA LM-79-08 standards. To obtain an IES file specific to your project consult: <http://www.creelighting.com/products/outdoor/area/noctura-area>

T4



Ningbo TengLi Testing Co. Test Report #:
 STD190155NB-LC
 NTA-A-**-T4-11L-30K-UL-**
Initial Delivered Lumens: 11,501

NTA-A-**-T4-11L-30K-UL-**
Mounting Height: 25' (7.6m) A.F.G.
Initial Delivered Lumens: 10,725
 Initial FC at grade

Type IV Medium Distribution						
Lumen Package	3000K			4000K/5000K		
	Initial Delivered Lumens*	BUG Ratings** Per TM 15 11	Efficacy (LPW)	Initial Delivered Lumens*	BUG Ratings** Per TM 15 11	Efficacy (LPW)
11L	10,725	B2 U0 G2	143	11,475	B2 U0 G2	153
19L	18,000	B3 U0 G2	138	19,200	B3 U0 G2	148
35L	34,100	B4 U0 G4	148	35,600	B4 U0 G4	155

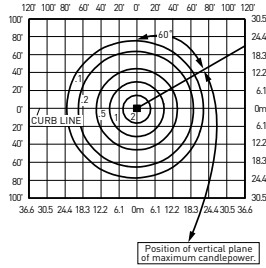
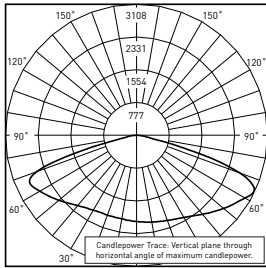
* Initial delivered lumens at 25°C (77°F). Actual production yield may vary between -10 and +10% of initial delivered lumens

** For more information on the IES BUG (Backlight-Uplight-Glare) Rating visit: <https://www.ies.org/wp-content/uploads/2017/03/TM-15-11BUGRatingsAddendum.pdf>. Valid with no tilt

Photometry

All published luminaire photometric testing performed to IESNA LM-79-08 standards. To obtain an IES file specific to your project consult: <http://www.creelighting.com/products/outdoor/area/noctura-area>

T5



Ningbo TengLi Testing Co. Test Report #:
 STD190155NB-LD
 NTA-A-**-T5-11L-30K-UL-**
Initial Delivered Lumens: 11,626


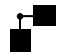
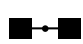



NTA-A-**-T5-11L-30K-UL-**
Mounting Height: 25' (7.6m) A.F.G.
Initial Delivered Lumens: 10,725
 Initial FC at grade

Type V Medium Distribution						
Lumen Package	3000K			4000K/5000K		
	Initial Delivered Lumens*	BUG Ratings** Per TM 15 11	Efficacy (LPW)	Initial Delivered Lumens*	BUG Ratings** Per TM 15 11	Efficacy (LPW)
11L	10,725	B3 U0 G2	143	11,475	B3 U0 G2	153
19L	18,000	B4 U0 G2	138	19,200	B4 U0 G2	148
35L	34,100	B5 U0 G3	148	35,600	B5 U0 G3	155









* Initial delivered lumens at 25°C (77°F). Actual production yield may vary between -10 and +10% of initial delivered lumens
 ** For more information on the IES BUG (Backlight-Uplight-Glare) Rating visit: <https://www.ies.org/wp-content/uploads/2017/03/TM-15-11BUGRatingsAddendum.pdf>. Valid with no tilt

Luminaire EPA

Direct Arm Mount - NTA-DA-BZ w/housing Weight: 11L: 12.5 lbs. [5.7kg]; 19L: 16.0 lbs. [7.3kg]; 35L: 21.1 lbs. [9.6kg]; Add 2.4 lbs. [1.1kg] for NTX-3R-BZ Extended Arm

Lumen Package	Single	2 @ 90°	2 @ 180°	3 @ 90°	3 @ 120°	4 @ 90°
						
11L	0.50	0.83	1.00	1.33	1.00	1.66
19L	0.54	1.01	1.08	1.55	1.31	2.02
35L	0.71	1.19	1.44	1.90	1.58	2.38

Adjustable Arm Mount - NTX-AA-BZ w/housing Weight: 11L: 12.3 lbs. [5.6kg]; 19L: 15.8 lbs. [7.2kg]; 35L: 20.9 lbs. [9.5kg]; Add 1.1lbs. [0.5kg] for NTX-AA-3R-BZ mount; Add 2.4 lbs. [1.1kg] for NTX-3R-BZ Extended Arm

Lumen Package	Single	2 @ 90°	2 @ 180°	3 @ 90°	3 @ 120°	3 @ 180°	4 @ 90°	4 @ 180°
Tenon Configuration Single (0° -45° Tilt): If used with Cree Lighting tenons, please add tenon EPA with Luminaire EPA								
								
	PB-1A*; PT-1; PW-1A3**	PB-2A*; PB-2R2.375; PD-2A4(90); PT-2(90)*	PB-2A*; PB-2R2.375; PD-2A4(180); PT-2(180); PW-2A3**	PB-3A*; PB-3R2.375; PD-3A4(90); PT-3(90)	PB-3A*; PB-3R2.375; PT-3(120)	PB-3A*; PB-3R2.375	PB-4A*(90); PB-4R2.375; PD-4A4(90); PT-4(90)	PB-4A*(180); PB-4R2.375
0° Tilt								
11L	0.56	1.12	1.12	1.49	1.49	1.49	1.86	1.86
19L	0.59	1.18	1.18	1.69	1.69	1.69	2.20	2.20
35L	0.77	1.54	1.54	2.06	2.06	2.06	2.58	2.58
10° Tilt								
11L	0.56	1.12	1.12	1.66	1.66	1.66	2.20	2.20
19L	0.75	1.50	1.50	2.25	2.25	2.25	3.00	3.00
35L	0.87	1.74	1.74	2.63	2.63	2.63	3.48	3.48
20° Tilt								
11L	0.67	1.34	1.34	2.01	2.01	2.01	2.68	2.68
19L	0.96	1.92	1.92	2.88	2.88	2.88	3.84	3.84
35L	1.17	2.34	2.34	3.51	3.51	3.51	4.68	4.68
30° Tilt								
11L	0.77	1.54	1.54	2.31	2.31	2.31	3.08	3.08
19L	1.10	2.20	2.20	3.30	3.30	3.30	4.40	4.40
35L	1.39	2.78	2.78	4.17	4.17	4.17	5.56	5.56
45° Tilt								
11L	0.86	1.72	1.72	2.58	2.58	2.58	3.44	3.44
19L	1.23	2.46	2.46	3.69	3.69	3.69	4.92	4.92
35L	1.60	3.20	3.20	4.80	4.80	4.80	6.40	6.40

* Specify pole size: 3 (3"), 4 (4"), 5 (5"), or 6 (6") for single, double or triple luminaire orientation or 4 (4"), 5 (5"), or 6 (6") for quad luminaire orientation
 ** These EPA values must be multiplied by the following ratio: Fixture Mounting Height/Total Pole Height. Specify pole size: 3 (3"), 4 (4"), 5 (5"), or 6 (6")

Tenon EPA

Part Number	EPA
PB-1A*	None
PB-2A*	0.82
PB-3A*	1.52
PB-4A*[180]	2.22
PB-4A*[90]	1.11
PB-2R2.375	0.92
PB-3R2.375	1.62
PB-4R2.375	2.32
PD Series Tenons	0.09
PT Series Tenons	0.10
PW-1A3**	0.47
PW-2A3**	0.94
WM-2	0.08
WM-4	0.25

* Specify pole size: 3 (3"), 4 (4"), 5 (5"), or 6 (6") for single, double or triple luminaire orientation or 4 (4"), 5 (5"), or 6 (6") for quad luminaire orientation
 ** These EPA values must be multiplied by the following ratio: Fixture Mounting Height/Total Pole Height. Specify pole size: 3 (3"), 4 (4"), 5 (5"), or 6 (6")

Tenons and Brackets* (must specify color)	
Square Internal Mount Vertical Tenons (Steel) - Mounts to 3-6" (76-152mm) square aluminum or steel poles PB-1A* – Single PB-4A*[90] – 90° Quad PB-2A* – 180° Twin PB-4A*[180] – 180° Quad PB-3A* – 180° Triple	Round External Mount Vertical Tenons (Steel) - Mounts to 2.375" (60mm) O.D. round aluminum or steel poles or tenons PB-2R2.375 – Twin PB-4R2.375 – Quad PB-3R2.375 – Triple
Square Internal Mount Horizontal Tenons (Aluminum) - Mounts to 4" (102mm) square aluminum or steel poles PD-2A4(90) – 90° Twin PD-3A4(90) – 90° Triple PD-2A4(180) – 180° Twin PD-4A4(90) – 90° Quad	Round External Mount Horizontal Tenons (Aluminum) - Mounts to 2.375" (60mm) O.D. round aluminum or steel poles or tenons - Mounts to square pole with PB-1A* tenon PT-1 – Single (Vertical) PT-3(90) – 90° Triple PT-2(90) – 90° Twin PT-3(120) – 120° Triple PT-2(180) – 180° Twin PT-4(90) – 90° Quad
Wall Mount Brackets - Mounts to wall or roof WM-2 – Horizontal for NTX-AA mounts WM-4 – L-Shape for NTX-AA mounts	Mid-Pole Bracket - Mounts to square pole PW-1A3** – Single PW-2A3** – Double
	Ground Mount Post - For ground-mounted flood luminaires PGM-1 - for NTX-AA mounts

* Refer to the [Bracket and Tenons spec sheet](#) for more details

Direct Mount Configurations

Compatibility with NTA-DA-BZ and NTA-DA-BZ w/NTX-3R-BZ Direct Arm Mounts					
Lumen Package	2 @ 90°	2 @ 180°	3 @ 90°	3 @ 120°	4 @ 90°
3" Square					
All	✓	✓	✓	N/A	✓
4" Square					
All	✓	✓	✓	N/A	✓
4" Round					
All	✓	✓	✓	✓	✓
5" Square					
All	✓	✓	✓	N/A	✓
5" Round					
All	✓	✓	✓	✓	✓
6" Square					
All	✓	✓	✓	N/A	✓