

# OSQ Series

OSQ™ LED Utility Flood Luminaire

Rev. Date: V9 R1 08/16/2019

## Product Description

The OSQ™ Utility Flood luminaire offers simple installation with a rugged die cast aluminum adjustable arm mount preset to 45° angle. Arm mounts to 2" [51mm] IP, 2.375" [60mm] O.D. tenon with choice of 8' 14/3 AWG cord exiting end of arm or side of arm. Direct arm mount versions are also available. The "Z" input power designator is a suitable upgrade for HID applications up to 175 Watts, the "B" input power designator is a suitable upgrade for HID applications up to 250 Watts, the "K" input power designator is a suitable upgrade for HID applications up to 400 Watts, the "T" input power designator is a suitable upgrade for HID applications up to 750 Watts, and the "U" input power designator is a suitable upgrade for HID applications up to 1000 Watts. OSQ Utility Flood Series is a perfect fit for a wide array of applications, helping improve the economic value for DoTs, municipalities, or Utilities.

**Applications:** Utility floodlighting, tunnels and underpasses

## Performance Summary

NanoOptic® Precision Delivery Grid™ optic

Assembled in the U.S.A. of U.S. and imported parts

**CRI:** Minimum 70 CRI

**CCT:** 3000K (+/- 300K), 4000K (+/- 300K)

**Limited Warranty\*:** 10 years on luminaire/10 years on Colorfast DeltaGuard® finish

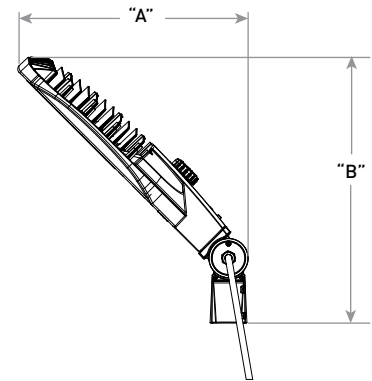
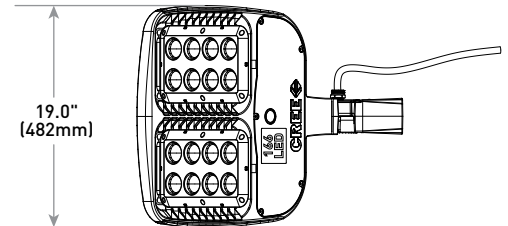
\*See <http://creelighting.com/warranty> for warranty terms

### Utility Highlights

#### Utility Label and NEMA® Photocell Receptacle

- External wattage label per ANSI C136.15
- 7-pin rotatable receptacle per ANSI C136.41
- Factory connected 0-10V dim leads
- Three conductor cord exits luminaire
- Photocell and shorting cap by others

## UA Mount



Input Power Designator	Weight	DIM "A"	DIM "B"
B/K/Z	29.5 lbs. (13.4kg)	18.0" (458mm)	21.2" (538mm)
T/U	33.1 lbs. (15.0kg)	19.6" (498mm)	22.8" (578mm)

## Ordering Information

Example: OSQ-A-UA-60D-B-40K-UL-SV-N

OSQ	A					UL		N
Product	Version	Mounting	Optic	Input Power Designator	CCT	Voltage	Color Options	Utility Label/Receptacle
OSQ	A	<b>UA</b> 45° Utility Arm w/8' 14/3 AWG Cord Side Exit <b>UB</b> 45° Utility Arm w/8' 14/3 AWG Cord End Exit <b>UC</b> Direct Arm Mount - Standard 2" [51mm] bolt spacing - Shipped separately - Field-installed <b>UD</b> Trunnion Mount - Adjustable from 0-45° in 15° increments	<b>Asymmetric</b> <b>3ME</b> Type III Medium <b>Symmetric</b> <b>60D</b> 60° Flood	<b>B</b> 86W <b>K</b> 130W <b>T</b> 166W <b>U</b> 215W <b>Z</b> 53W	<b>30K</b> 3000K <b>40K</b> 4000K	<b>UL</b> Universal 120-277V	<b>BZ</b> Bronze <b>SV</b> Silver	<b>N</b> <b>Utility Label and NEMA® Photocell Receptacle</b> - External wattage label per ANSI C136.15 - 7-pin receptacle per ANSI C136.41 - Intended for downlight applications with maximum 45° tilt - Factory connected 0-10V dim leads - Three conductor cord exits luminaire - Photocell or shorting cap by others



US: [creelighting.com](http://creelighting.com) (800) 236-6800

Canada: [creelighting-canada.com](http://creelighting-canada.com) (800) 473-1234

**CREE** LIGHTING

## Product Specifications

### CONSTRUCTION & MATERIALS

- Slim, low profile design minimizes wind load requirements
- Luminaire housing is rugged die cast aluminum with an integral, weathertight LED driver compartment and high-performance heat sink
- Rugged die cast aluminum utility arm mounts (UA and UB) are preset to 45°, and mount to 2" (51mm) IP, 2.375" (60mm) O.D. tenon
- Utility arm mounts (UA and UB) can be field adjusted in 2.5° increments. Maximum tilt 45°
- Includes 8' (2.4m) 14/3 AWG SEOW black cord exiting the side of the mounting arm through watertight fitting (UA mount) or the end of the mounting arm (UB mount)
- UC direct arm mounts are rugged die cast aluminum and provide convenient interlocking mounting method
- UC direct arm mounts to 3-6" (76-152mm) square or round pole and secures with two 5/16-18 UNC bolts spaced on 2" (51mm) center
- UD trunnion mount is constructed of A500 and A1011 steel and is adjustable from 0-45° in 15° degree increments, factory preset to 45 degrees. Trunnion mount secures to surface with (1) 3/4" bolt or (2) 1/2" or 3/8" bolts
- Comes standard with Utility Label per ANSI C136.15 and 7-pin NEMA® Photocell Receptacle per ANSI C136.41
- Exclusive Colorfast DeltaGuard® finish features an E-Coat epoxy primer with an ultra-durable powder topcoat, providing excellent resistance to corrosion, ultraviolet degradation and abrasion. Bronze and silver are available
- **Weight:** See Weight Chart on pages 1 and 3

### ELECTRICAL SYSTEM

- **Input Voltage:** 120-277V, 50/60Hz, Class 1 drivers
- **Power Factor:** > 0.9 at full load
- **Total Harmonic Distortion:** < 20% at full load
- Integral 10kV surge suppression protection standard
- When code dictates fusing, a slow blow fuse or type C/D breaker should be used to address inrush current
- **Maximum 10V Source Current:** 1mA

### REGULATORY & VOLUNTARY QUALIFICATIONS

- cULus Listed
- Suitable for wet locations
- Certified to ANSI C136.31-2001, 3G bridge and overpass vibration standards
- ANSI C136.2 10kV surge protection, tested in accordance with IEEE/ANSI C62.41.2
- Meets FCC Part 15, Subpart B, Class A limits for conducted and radiated emissions
- Luminaire and finish endurance tested to withstand 5,000 hours of elevated ambient salt fog conditions as defined in ASTM Standard B 117
- Meets Buy American requirements within ARRA
- DLC and DLC Premium qualified versions available. Please refer to <https://www.designlights.org/search/> for most current information
- RoHS compliant. Consult factory for additional details
- **CA RESIDENTS WARNING:** Cancer and Reproductive Harm – [www.p65warnings.ca.gov](http://www.p65warnings.ca.gov)

Electrical Data*					
Input Power Designator	System Watts 120-277V	Total Current (A)			
		120V	208V	240V	277V
B	86	0.73	0.43	0.37	0.32
K	130	1.09	0.65	0.56	0.49
T	166	1.41	0.83	0.72	0.62
U	215	1.83	1.08	0.93	0.81
Z	53	0.46	0.26	0.22	0.19

\* Electrical data at 25°C (77°F). Actual wattage may differ by +/- 10% when operating between 120-277V +/-10%

OSQ Series Ambient Adjusted Lumen Maintenance <sup>1</sup>						
Ambient	Optic	Initial LMF	25K hr Reported <sup>2</sup> LMF	50K hr Reported <sup>2</sup> LMF	75K hr Reported <sup>2/</sup> Estimated <sup>3</sup> LMF	100K hr Reported <sup>2/</sup> Estimated <sup>3</sup> LMF
5°C (41°F)	Asymmetric	1.04	1.02	1.01	1.00 <sup>3</sup>	0.99 <sup>3</sup>
	Symmetric	1.05	1.04	1.03	1.03 <sup>2</sup>	1.02 <sup>2</sup>
15°C (59°F)	Asymmetric	1.02	1.00	0.99	0.98 <sup>3</sup>	0.97 <sup>3</sup>
	Symmetric	1.02	1.02	1.01	1.00 <sup>2</sup>	0.99 <sup>2</sup>
25°C (77°F)	Asymmetric	1.00	0.98	0.97	0.96 <sup>3</sup>	0.95 <sup>3</sup>
	Symmetric	1.00	0.99	0.98	0.98 <sup>2</sup>	0.97 <sup>2</sup>

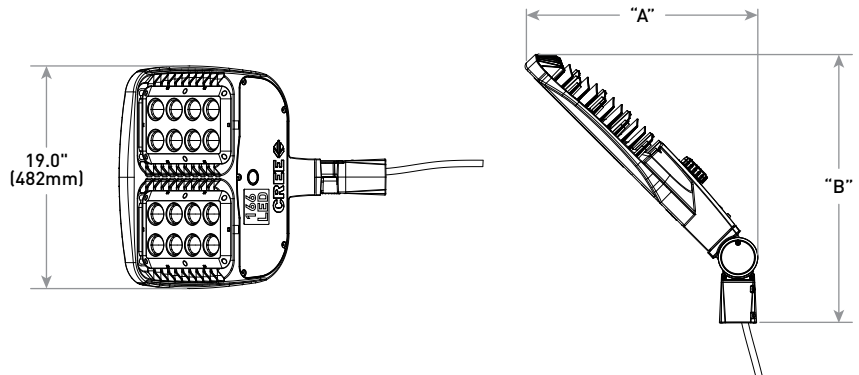
<sup>1</sup> Lumen maintenance values at 25°C (77°F) are calculated per IES TM-21 based on IES LM-80 report data for the LED package and in-situ luminaire testing. Luminaire ambient temperature factors (LATF) have been applied to all lumen maintenance factors. Please refer to the [Temperature Zone Reference Document](#) for outdoor average nighttime ambient conditions.

<sup>2</sup> In accordance with IES TM-21, Reported values represent interpolated values based on time durations that are up to 6x the tested duration in the IES LM-80 report for the LED

<sup>3</sup> Estimated values are calculated and represent time durations that exceed the 6x test duration of the LED

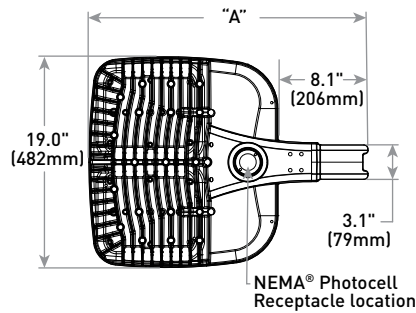
OSQ™ LED Utility Flood Luminaire

UB Mount

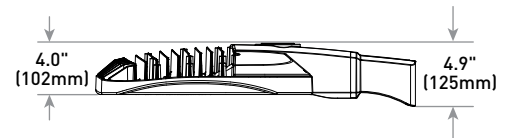


Input Power Designator	Weight	DIM "A"	DIM "B"
B/K/Z	29.5 lbs. (13.4kg)	18.0" (458mm)	21.2" (538mm)
T/U	33.1 lbs. (15.0kg)	19.6" (498mm)	22.8" (578mm)

UC Mounts

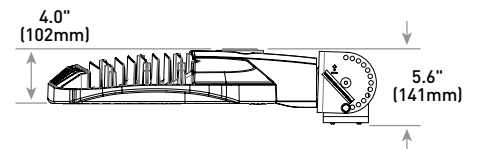
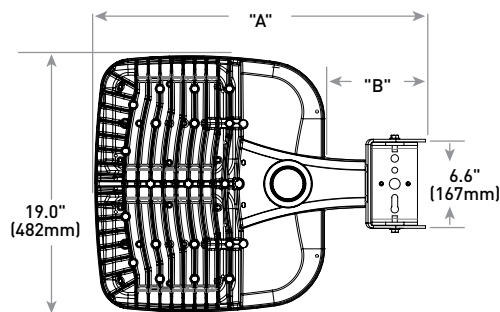


UC Mount



Input Power Designator	Weight	DIM "A"
B/K/Z	28.9 lbs. (13.1kg)	25.0" (635mm)
T/U	32.4 lbs. (14.7kg)	27.2" (691mm)

UD Mount



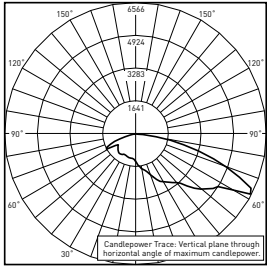
	Weight	DIM "A"	DIM "B"
Medium	32.6 lbs. (14.8kg)	24.4" (619mm)	5.6" (189.0mm)
Large	36.1 lbs. (16.4kg)	26.6" (675mm)	7.4" (189mm)

# OSQ™ LED Utility Flood Luminaire

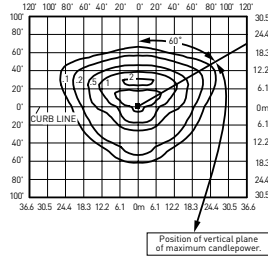
## Photometry

All published luminaire photometric testing performed to IESNA LM-79-08 standards. To obtain an IES file specific to your project consult: <http://creelighting.com/osq-series-utility>

### 3ME



RESTL Test Report #: PL08876-001A  
OSQ-A\*\*-3ME-B-30K-UL  
Initial Delivered Lumens: 10,421



OSQ-A\*\*-3ME-B-40K-UL  
Mounting Height: 25' (7.6m) A.F.G.  
Initial Delivered Lumens: 11,424  
Initial FC at grade

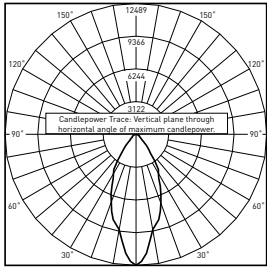
Type III Medium Distribution		
Input Power Designator	3000K	4000K
	Initial Delivered Lumens*	
B	10,738	11,424
K	16,022	16,959
T	20,688	21,902
U	25,246	26,583
Z	6,481	6,896

\* Initial delivered lumens at 25°C (77°F). Actual production yield may vary between -10 and +10% of initial delivered lumens

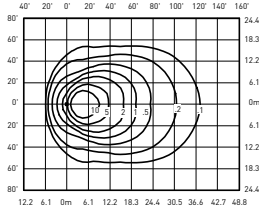
## Photometry

All published luminaire photometric testing performed to IESNA LM-79-08 standards. To obtain an IES file specific to your project consult: <http://creelighting.com/osq-series-utility>

### 60D



CESTL Test Report #: PL08100-001B  
OSQ-A\*\*-60D-B-30K-UL  
Initial Delivered Lumens: 10,079



OSQ-A\*\*-60D-T-40K-UL  
Mounting Height: 25' (7.6m) A.F.G., 60° Tilt  
Initial Delivered Lumens: 22,675  
Initial FC at grade

60° Flood Distribution		
Input Power Designator	3000K	4000K
	Initial Delivered Lumens*	
B	10,806	11,478
K	15,909	16,897
T	21,349	22,675
U	24,527	26,051
Z	5,552	6,428


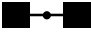


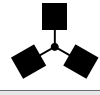
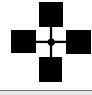
\* Initial delivered lumens at 25°C (77°F). Actual production yield may vary between -10 and +10% of initial delivered lumens

## Luminaire EPA

Utility Arms (UA/UB) – B/K/Z Input Power Designator Weight: 29.5 lbs. (13.4kg); T/U Input Power Designator Weight: 33.1 lbs. (15.0kg)						
	Single	2 @ 180°	2 @ 90°	3 @ 90°	3 @ 120°	4 @ 90°
<b>Input Power Designator</b>						
<b>45° Tilt</b>						
B/K/Z	1.96	1.96	2.69	3.43	4.54	5.38
T/U	2.20	2.20	3.00	3.80	5.07	6.00

Note: For tilt angles other than 45°, refer to OSQ Series LED Area/Flood luminaire spec sheets

# OSQ™ LED Utility Flood Luminaire

Direct Arm Mounts (UC) – B/K/Z Input Power Designator Weight: 28.9 lbs. (13.1kg); T/U Input Power Designator Weight: 32.4 lbs. (14.7kg)						
	Single	2 @ 180°	2 @ 90°	3 @ 90°	3 @ 120°	4 @ 90°
<b>Input Power Designator</b>						
						
<b>Direct Arm</b>						
B/K/Z	0.74	1.48	1.19 <sup>1</sup>	1.93 <sup>1</sup>	1.63 <sup>1,2</sup>	2.38 <sup>1</sup>
T/U	0.80	1.61	1.26 <sup>1</sup>	2.06 <sup>1</sup>	1.68 <sup>1,2</sup>	2.52 <sup>1</sup>

**Note:**

<sup>1</sup> Not suitable for use with 3" square or round poles  
<sup>2</sup> Not suitable for use with square poles

Medium Trunnion Mount – OSQ-TM Weight: 32.6 lbs. (14.8kg)	
Single	
<b>0° Tilt</b>	
0.75	
<b>15° Tilt</b>	
0.99	
<b>30° Tilt</b>	
1.57	
<b>45° Tilt</b>	
2.07	

Large Trunnion Mount – OSQ-TM Weight: 36.1 lbs. (16.4kg)	
Single	
<b>0° Tilt</b>	
0.81	
<b>15° Tilt</b>	
1.12	
<b>30° Tilt</b>	
1.74	
<b>45° Tilt</b>	
2.35	

© 2019 Cree Lighting, A company of IDEAL INDUSTRIES. All rights reserved. For informational purposes only. Content is subject to change. Patent [www.creelighting.com/patents](http://www.creelighting.com/patents). Cree® and the Cree logo are registered trademarks of Cree, Inc. NanoOptic® and Colorfast DeltaGuard® are registered trademarks, and Precision Delivery Grid™ and OSQ™ are trademarks of Cree Lighting, A company of IDEAL INDUSTRIES. The UL logo is a registered trademark of UL LLC. NEMA® is a registered trademark of the National Electrical Manufacturers Association. The DLC QPL logo and the DLC QPL Premium logo are registered trademarks of Efficiency Forward Inc.