

PAR38 Series

Cree Professional Series LED Lamps

Product Description

At Cree®, we believe in better lighting. Better light is beautiful light. But it's more than just beautiful. It is light that makes you feel more productive, more relaxed and safer. Better light changes everything. That's why the new and improved 90+ CRI Cree Professional Series LED bulbs feature high color rendering that enhances your space and makes the colors of your decor appear vibrant, richer and more natural – true colors the way they are meant to be experienced.

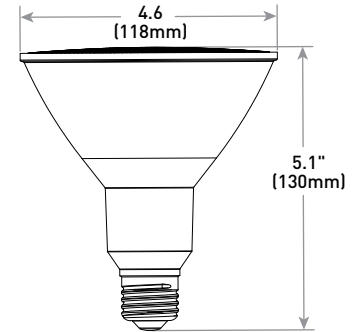
The ENERGY STAR certified, California complaint Cree Professional Series PAR38 LED bulb is a higher lumen solution ideal for use indoors in a track or recessed can, or outdoors in security or landscaping lighting. Delivering up to 1,500 lumens of 2700K, 3000K, or 4000K light, halogen-like light white using up to 19 watts, the Cree PAR38 LED bulb is available in multiple beam angles for different applications. It is fully dimmable and designed to last 25,000 or 50,000 hours.

Performance Summary

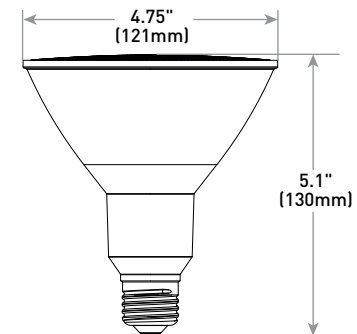
Beam Spreads: 15° Spot, 25° Narrow Flood, 40° Flood
Lamp Delivered Light Output: 120W Replacement: 1,330 -1,370 Lumens; 150W Replacement: 1,500 Lumens
Input Power: 120W Replacement: 16.5 watts; 150W Replacement: 19 watts
CRI: >90
CCT: 2700K, 3000K, 4000K
Limited Warranty*: 5 years Commercial use
Lifetime: 120W Replacement: Designed to last at least 50,000 hours; 150W Replacement: Designed to last at least 25,000 Hours
Dimming: Dimmable to 5% with select dimmers
ENERGY® Star Certified 150W Only, 120W (May 2019); CEC California Title 20 Compliant
Can be ordered in Single Lamp Cartons (Master Carton Quantity = 12)

* See <http://lighting.cree.com/warranty> for warranty terms

120W



150W



Ordering Information

Example: PAR38-120W-P1-30K-40FL-E26-U1

PAR38		P1				E26		U1
Product	Watt Equivalent	Series	CCT	Beam Spread	Voltage	Base	CRI	Packaging Options
PAR38	120W 120 Watt, 1,300 - 1,370 Lumens CBCP = 15°: 16,000 Candelas, 25°: 6,800 - 7,300 Candelas, 40°: 2,500 - 3,000 Candelas 150W 1500 lumens CBCP = 3,360 Candelas	P1 Professional Series 1 st Generation	27K 2700K (120W Only) 30K 3000K 40K 4000K (120W, 40° Flood Only)	15SP 15° Spot (120W Only) 25NF 25° Narrow Flood (120W Only) 40FL 40° Flood	Blank 120 Volt	E26 Edison Base	Blank >90 CRI	U1 Single-Lamp Carton Master Carton = 12 Single-Lamp Cartons



Rev. Date: V3 05/09/2019



PAR38 Pro Series LED Lamps

Product Specifications

CONSTRUCTION & MATERIALS

- PAR38 120W design weighing 7.8 ounces (221g); 150W design weighing 7.2 ounces (204g)
- E26 Medium standard screw type base
- Bulb meets ANSI standards for PAR38 dimensions
- Mercury free
- **Dimensions:** 120W Replacement: 5.6" H x 4.7" W x 4.7" D (Single Lamp Carton); 11" H x 14.5" W x 9.7" D (Master Carton); 150W Replacement: 6.5" H x 4.9" W x 4.9" D (Single Lamp Carton); 7.2" H x 15.4" W x 20.4" D (Master Carton)


OPTICAL SYSTEM

- Plastic lens offers increased optical spread

ELECTRICAL SYSTEM

- **Power Factor:** > 0.9 nominal
- **Input Voltage:** 120V, 60Hz
- **Dimming:** Dimmable to 5% with select dimmers. Refer to <https://www.creelink.com/exLink.asp?406275150E89G38I54766700> for additional details
- **Operating Temperature Range:** -25°C - +45°C (-13°F - +113°F)

REGULATORY & VOLUNTARY QUALIFICATIONS

- cULus Listed
- Suitable for wet locations where exposed directly to weather
- Suitable for use in enclosed light fixtures. Lifetime may be reduced if used in air tight enclosures or in insulated ceiling air tight (ICAT) recessed downlight enclosures
- Meets FCC Part 15, Subpart B, Class B standards for conducted and radiated emissions
- ENERGY STAR® Certified:
Please refer to www.energystar.gov/productfinder/product/certified-light-bulbs/results for most current information
120W Replacement ENERGY STAR Certification Expected May 2019,
150W Replacement ENERGY STAR Certified
- RoHS compliant. Consult factory for additional details
- CEC California Title 20 Compliant
-  **CA RESIDENTS WARNING:** Cancer and Reproductive Harm - www.p65warnings.ca.gov

Ordering Number	Single-Lamp Carton UPC	Description	Bulb Type	Watts	CCT	Single-Lamp Cartons per Master Carton	Master Carton ITF-14	Total Lamps per Master Carton	Master Cartons per Pallet Qty	CRI	CBCP	Lumens	Rated Life (Hrs)
PAR38-120W-P1-27K-40FL-E26-U1	849665026563	120W Soft White 40° Flood, PAR38 Equivalent	PAR38	16.5	2700K	12	10849665026560	12	40	>90	2,500	1,330	50,000
PAR38-120W-P1-27K-25NF-E26-U1	849665026570	120W Soft White 25° Narrow Flood, PAR38 Equivalent	PAR38	16.5	2700K	12	10849665026577	12	40	>90	6,800	1,330	50,000
PAR38-120W-P1-27K-15SP-E26-U1	849665026587	120W Soft White 15° Spot, PAR38 Equivalent	PAR38	16.5	2700K	12	10849665026584	12	40	>90	16,000	1,330	50,000
PAR38-120W-P1-30K-40FL-E26-U1	849665026594	120W Bright White 40° Flood, PAR38 Equivalent	PAR38	16.5	3000K	12	10849665026591	12	40	>90	3,000	1,370	50,000
PAR38-120W-P1-30K-25NF-E26-U1	849665026600	120W Bright White 25° Narrow Flood, PAR38 Equivalent	PAR38	16.5	3000K	12	10849665026607	12	40	>90	7,300	1,370	50,000
PAR38-120W-P1-30K-15SP-E26-U1	849665026617	120W Bright White 15° Spot, PAR38 Equivalent	PAR38	16.5	3000K	12	10849665026614	12	40	>90	16,000	1,370	50,000
PAR38-120W-P1-40K-40FL-E26-U1	849665026624	120W Daylight 40° Flood, PAR38 Equivalent	PAR38	16.5	4000K	12	10849665026621	12	40	>90	3,000	1,370	50,000
PAR38-150W-P1-30K-40FL-E26-U1	849665023319	150W Replacement Bright White 40° Flood PAR38	PAR38	19	3000K	12	10849665023316	12	30	>90	3,360	1,500	25,000