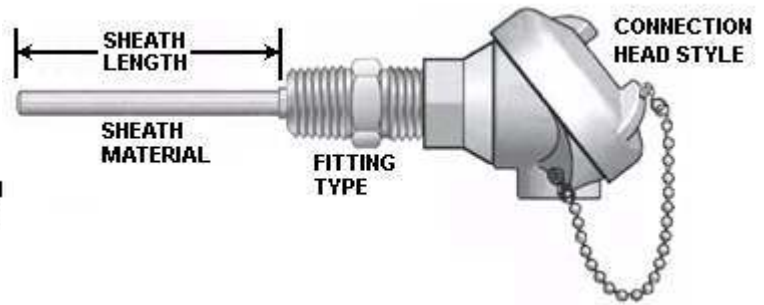
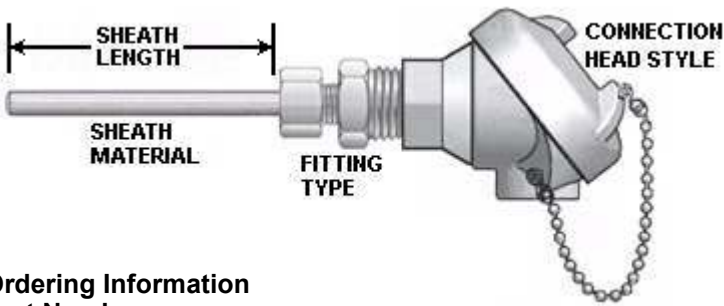


East Coast Sensors

Mineral Insulated RTD w/ connection head Series RK3



Ordering Information Part Number

① RK3	② Element Type	③ Wire Configuration	④ Sheath Diameter	⑤ Sheath Length (whole In.)	⑥ Sheath Length (fractional In.)	⑦ Head Mounting fitting	⑧ Connection head style
RK3							

Optional

⑨ Special Features	⑩ Attached Fitting	⑪ Insertion Length (whole In.)	⑫ Insertion Length (frac.)	⑬ Transmitter temp range	⑭ Scale of Temp.

②	Element type
K	100 Ω DIN 00385 Class A mineral insulated element (600°C rated)
P	100 Ω DIN 00385 Class A mineral insulated element (800°C rated)
Note	For other elements consult factory

③	Wire Configuration
2	2-wire
3	3-wire
4	4-wire
5	2-wire (Dual)
6	3-wire (Dual)

④	Sheath Diameter
H	.125" (3.2mm) (1/8")
L	.188" (4.6mm) (3/16")
N	.250" (6.4mm) (1/4")
Note	For reference only (standard tolerances apply)
Note	For other diameters consult factory

⑤	Sheath Length (whole In.)
002"-060"	Specify in Inches
Note	For longer lengths consult factory

⑥	Sheath Length (fractional in.)
A	0
B	1/8"
C	1/4"
D	3/8"
E	1/2"
F	5/8"
G	3/4"
H	7/8"

⑦	Head Mounting Fitting
06	1/2"npt x 1/2"npt double thread
07	1/2"npt double thread Spring loaded
08	1/2"npt x 1/2"npt double thread spring loaded w/oil seal
09	1/2"npt x 3/4"npt double thread
10	3/4"npt x 3/4"npt double thread
12	Single threaded brass compression fitting (no process thread)
13	Single threaded stainless compression fitting (no process thread)
14	1/2"npt x 1"npt double thread
15	1/2"npt x 1/4"npt double thread
16	1/4"npt x 1/4"npt double thread
17	1/2"npt single thread bushing (no process thread)
18	1/4"npt single thread bushing (no process thread)
Note	Fittings silver soldered (brazed) to sheath
Note	For other fittings not shown contact factory

⑧	Connection Head Style
A	Cast Aluminum (standard) NEMA 6 IP67 rated
B	Small cast Aluminum
C	Flip top head cast aluminum
D	Cast steel
E	Stainless Steel
F	Cast Iron
G	Polypropylene
H	Explosion proof cast aluminum
Q	Explosion proof 316 Stainless steel
R	Explosion proof cast aluminum DUAL conduit
S	Mini aluminum screw down cover
W	Cast Aluminum NEMA 4X IP68 rated

Optional

⑨	Special features (optional)
Note	See next page

⑩	Attached Fitting (optional)
Note	See next page

⑪	Insertion length (whole in.)
Note	See next page

⑫	Insertion Length (frac.in.)
Note	See next page

⑬	Transmitter Temperature Range
Note	See next page

⑭	Transmitter scale of temperature
Note	See next page

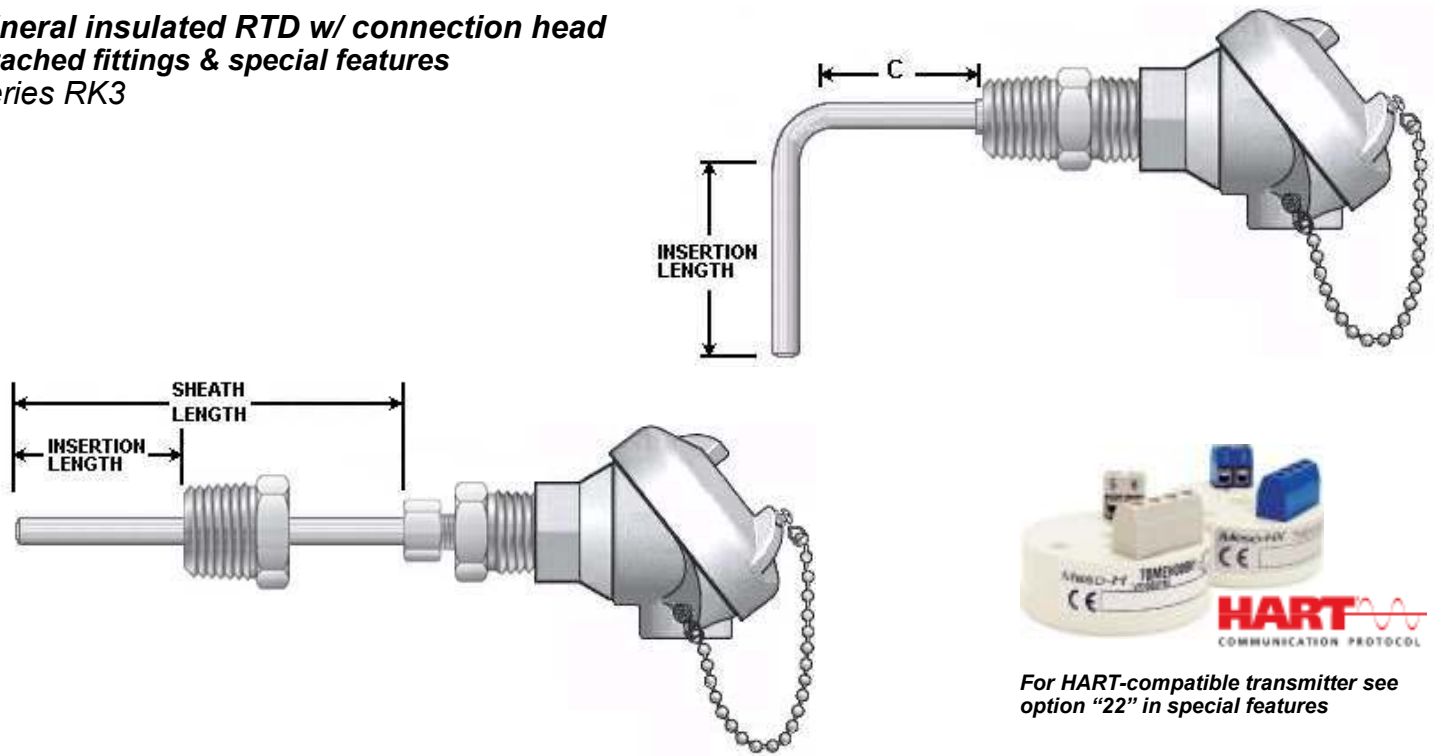
See next page for optional
attached fittings
& special features
(Fields 10,11,12,13,14 &15)

For Low profile, basic programmable
4/20 MA transmitter see option "17"
in special features



East Coast Sensors

Mineral insulated RTD w/ connection head attached fittings & special features
Series RK3



For HART-compatible transmitter see option "22" in special features

Continue part number from previous page

Ordering Information Part Number

⑨ Special Features	⑩ Attached Fitting	⑪ Insertion Length (whole in.)	⑫ Insertion Length (Frac.in.)

For transmitter only

⑬ Transmitter temperature range	⑭ Scale of Temperature

⑨	Special features (Optional)
Note	Leave blank for no special features
04	Flat tip probe
17	4/20 Milliamp transmitter (hockey puck style) (See step 14&15)
28	90 Degree bend
30	45 Degree bend

⑩	Attached Fitting type (optional)
Note	Leave blank for no attached fitting
F01	1/8"npt single thread
F02	1/4"npt single thread
F03	3/8"npt single thread
F04	1/2"npt single thread
F05	3/4"npt single thread
F06	1/2"npt x 1/2"npt double thread
F07	1/2"npt double thread Spring loaded
F08	1/2"npt x 1/2"npt double thread Spring loaded w/oil seal
F09	1/2"npt x 3/4"npt double thread
F10	3/4"npt x 3/4"npt double thread
F11	Fixed 7/16"ID bayonet cap assembly (on probe) (1/8"OD, 3mmOD & 3/16"OD)
F15	1"npt single thread
F16	Adjustable 7/16"ID bayonet cap fitting (1/8"OD & 3mm OD)
F17	Adjustable 12.5mm ID double slot bayonet cap fitting (1/8"OD & 3mm OD)
F18	1/8"npt compression fitting (Brass)
F19	1/8"npt compression fitting (Stainless steel)
F20	1/4"npt compression fitting (Brass)
F21	1/4"npt compression fitting (Stainless steel)
F22	1/2"npt compression fitting (Brass)
F23	1/2"npt compression fitting (Stainless steel)
Note	For other fittings not shown contact factory

⑪	Insertion Length (in.) (optional)
001"-144"	Specify in Inches
Note	See pg. for attached fitting illustrations

⑫	Insertion Length (fractional in.)
A	0
B	1/8"
C	1/4"
D	3/8"
E	1/2"
F	5/8"
G	3/4"
H	7/8"



Option "17"
4/20 Milliamp transmitter
(hockey puck style)

For transmitter only

⑬	Transmitter temperature range (Optional)
0-0000	Specify temperature range (example: 0-1200°F)

⑭	Transmitter Scale of temperature (Optional)
F	(°F) Fahrenheit
C	(°C) Celsius