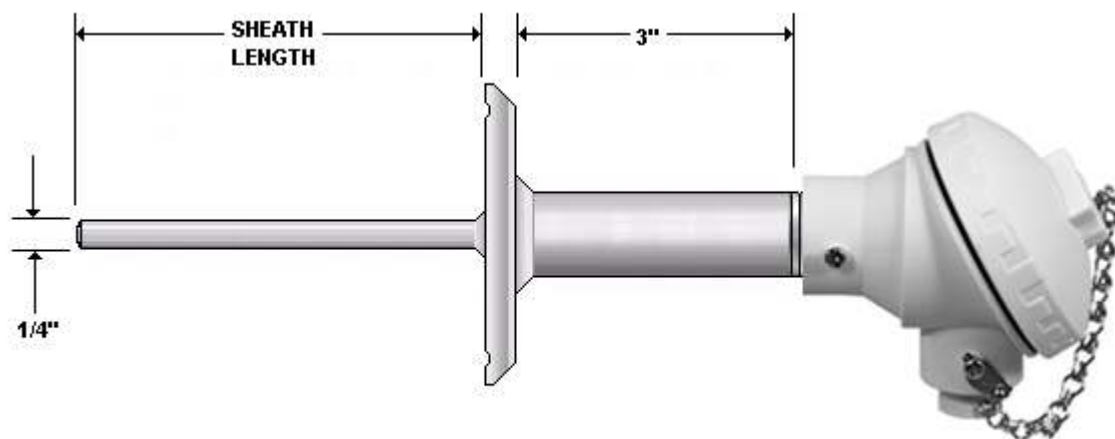


# East Coast Sensors

## Sanitary CIP RTD Tri-clamp (16 AMP) cap Style RN1



### Ordering Information Part Number

① RN1	② Element Type	③ Element Accuracy	④ Wire Configuration	⑤ Sheath Diameter	⑥ Sheath Length (whole In.)	⑦ Sheath Length (fractional In.)	⑧ Connection Head Style	⑨ Sanitary cap size	⑩ Special Features (Optional)	⑪ Transmitter temperature range	⑫ Scale of Temp.
RN1											

### Optional

② Element type	Element type
T	100 Ω DIN 00385 (thin film)
U	500 Ω DIN 00385 (thin film)
W	1000 Ω DIN 00385 (thin film)
X	120 Ω Nickel DIN 00672 (thin film)
Y	100 Ω DIN 003916 (wire wound)
Z	500 Ω DIN 003916 (wire wound)

③ Element Accuracy (0 °C)	Element Accuracy (0 °C)
A	Class A (0.06%)
B	Class B (0.12%)

④ Wire Configuration	Wire Configuration
2	2-wire
3	3-wire
4	4-wire
5	2-wire (Dual)
6	3-wire (Dual)

⑤ Sheath Diameter	Sheath Diameter
N	.250" (6.4mm) (1/4")
Note	For reference only (standard tolerances apply)
Note	For other diameters consult factory

⑥ Sheath Length (whole In.)	Sheath Length (whole In.)
001"-012"	Specify in Inches
Note	For longer lengths consult factory

⑦ Sheath Length (fractional in.)	Sheath Length (fractional in.)
A	0
B	1/8"
C	1/4"
D	3/8"
E	1/2"
F	5/8"
G	3/4"
H	7/8"

⑧ Connection Head Style	Connection Head Style
E	Stainless Steel
G	Polypropylene
H	Explosion proof cast aluminum
Q	Explosion proof 316 Stainless steel

⑨ Sanitary cap size (CIP sanitary)	Sanitary cap size (CIP sanitary)
X01	1/2" (for 0.5" or 0.75" tube size)
X02	1.5" (for 1" or 1.5" tube size)
X03	2" (for 2" tube size)
X04	2.5" (for 2.5" tube size)
X05	3" (for 3" tube size)
X06	4" (for 4" tube size)

⑩ Special features (Optional)	Special features (Optional)
Note	Leave blank for no special features
17	4/20 Milliamp transmitter (hockey puck style)
22	HART-compatible 4/20 milliamp transmitter
Note	For color code chart see pg _____

⑪ Transmitter temperature range (Optional)	Transmitter temperature range (Optional)
0-0000	Specify temperature range (example: 0-1200°F)

⑫ Scale of temperature (Optional)	Scale of temperature (Optional)
F	(°F) Fahrenheit
C	(°C) Celsius



- For Low profile, basic programmable 4/20 MA transmitter see option "17" in special features



- For HART-compatible transmitter see option "22" in special features

