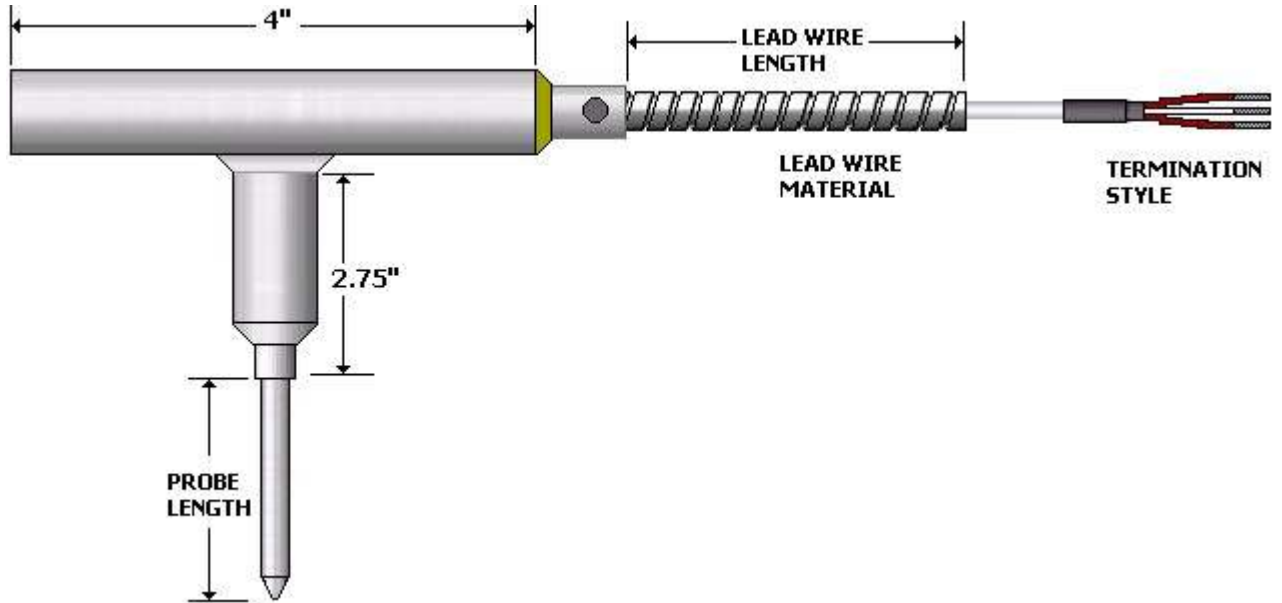


# East Coast Sensors

## Sharp tip probe with T-handle Series RS2



### Ordering Information Part Number

① RS2	② Element Type	③ Element Accuracy	④ Wire Configuration	⑤ Sheath Diameter	⑥ Sheath Length (inches)	⑦ Sheath Length (fractional in.)	⑧ Lead Wire Material	⑨ Lead wire Length (inches)	⑩ Termination Style	⑪ Special Features
RS2										

### Optional

②	Element type
T	100 Ω DIN 00385 (thin film)
U	500 Ω DIN 00385 (thin film)
W	1000 Ω DIN 00385 (thin film)
X	120 Ω Nickel DIN 00672 (thin film)
Y	100 Ω DIN 003916 (wire wound)
Z	500 Ω DIN 003916 (wire wound)
Q	10 Ω copper (thin film)

③	Element Accuracy (0 °C)
A	Class A (0.06%)
B	Class B (0.12%) (standard)

④	Wire Configuration
2	2-wire
3	3-wire
4	4-wire
5	2-wire (Dual)
6	3-wire (Dual)

⑤	Sheath Diameter
N	.250" (6.4mm) (1/4")
Note	For reference only (standard tolerances apply)
Note	For other diameters consult factory

⑥	Sheath Length (whole in.)
001"-011"	Specify in Inches

⑦	Sheath Length (fractional in.)
A	0
B	1/8"
C	1/4"
D	3/8"
E	1/2"
F	5/8"
G	3/4"
H	7/8"

⑧	Lead wire material (inside armor cable)
E	Fiberglass with armor cable (800°F)
F	Fluoropolymer with armor cable (400°F)
G	Fiberglass with stainless steel braid (800°F) w/ armor cable
H	Fluoropolymer with stainless steel braid (400°F) w/ armor cable

⑨	Lead wire length (whole in.)
012"-600"	Specify in Inches
Note	Over 600" contact factory

⑩	Termination style
A	2" stripped leads (bare ends) (standard)
B	2" stripped leads w/ #8 spade lugs
C	Standard male 2 pin plug (400°F)
D	Standard male 3 pin plug (400°F)
F	Standard 2 pin female jack (400°F)
G	Standard 3 pin female jack (400°F)
H	Miniature male 2 pin plug (400°F)
P	Miniature male 3 pin plug (400°F)
J	Miniature female 2 pin jack (400°F)
K	Miniature female 3 pin jack (400°F)
R	Dual molded male 4 pin plug (400°F)(for dual 2 wire)
T	Dual molded female 4 hole jack (400°F)(for dual 2 wire)
W	2" stripped leads w/ pin terminals
Q	2" stripped leads w/ wire ferrules
X	Extra long lead wire length (beyond 2" stripped leads) (specify extra long lead wire length below)
006"-240"	006"-240" Specify in Inches

### Optional

⑪	Special features
Note	Leave blank for no special features
07	Cable clamp
08	BX Connector
09	Mating connector