

Stylus™ Linear Series

Specification 3" Luminaire



CRISP COLOR. CLEAN LINES. DESIGN SIMPLICITY.

No Application is Out of Reach

Cree Lighting's Stylus™ Linear Series is a full 3" portfolio offering a versatile yet simple design for a multitude of mounting options and ceiling heights. Available in suspended, recessed, surface and wall mounts, the Stylus™ Linear Series' low-profile fixture height of less than 4" makes it ideal to recess in narrow plenums. The Stylus™ Linear Series also offers multiple dimming and control platforms with ultra-smooth dimming down to 1%, allowing for the control that you prefer.¹

Better Measured Color. Smoother, Broader Uplight. Simply Better.

You don't have to sacrifice lighting performance to get a striking lighting design. Available with TrueWhite® Technology's 90+ CRI with high R9 >65 across the entire line and CCT options, the Stylus™ Linear Series provides uniform light distribution with high color fidelity ≥ 92 and gamut ≥ 100 to bring out the truest colors in your design.

Versatility Meets Simplicity

By taking a modular approach, the Stylus™ Linear Series provides simple design in, ordering and installation for a worry-free experience. The ability to run 2' to 72' increments with just one power drop affords architects and lighting designers effortless "design in" utilizing various lengths for the perfect fit. With low, medium and high light output options, designers can choose whichever lumen package best complements their vision in both downlight and uplight configurations. And pre-installed connector brackets enable faster and easier field assembly and installation of continuous row applications.

Lighting Design That's Great from Every Angle

With the Stylus™ Linear Series, you get the technology, performance and high standards you expect from Cree Lighting. In addition to a robust extruded aluminum housing backed by an industry-leading 10-year limited warranty, the Stylus™ Linear Series is available with responsive lighting plan assistance from within Cree Lighting's Customer Experience team.

CREE  **LIGHTING**

¹ Refer to spec sheets for details.

Stylus™ Linear Series

LINEAR LIGHTING SIMPLIFIED: DESIGN. ORDER. INSTALL. ENJOY.

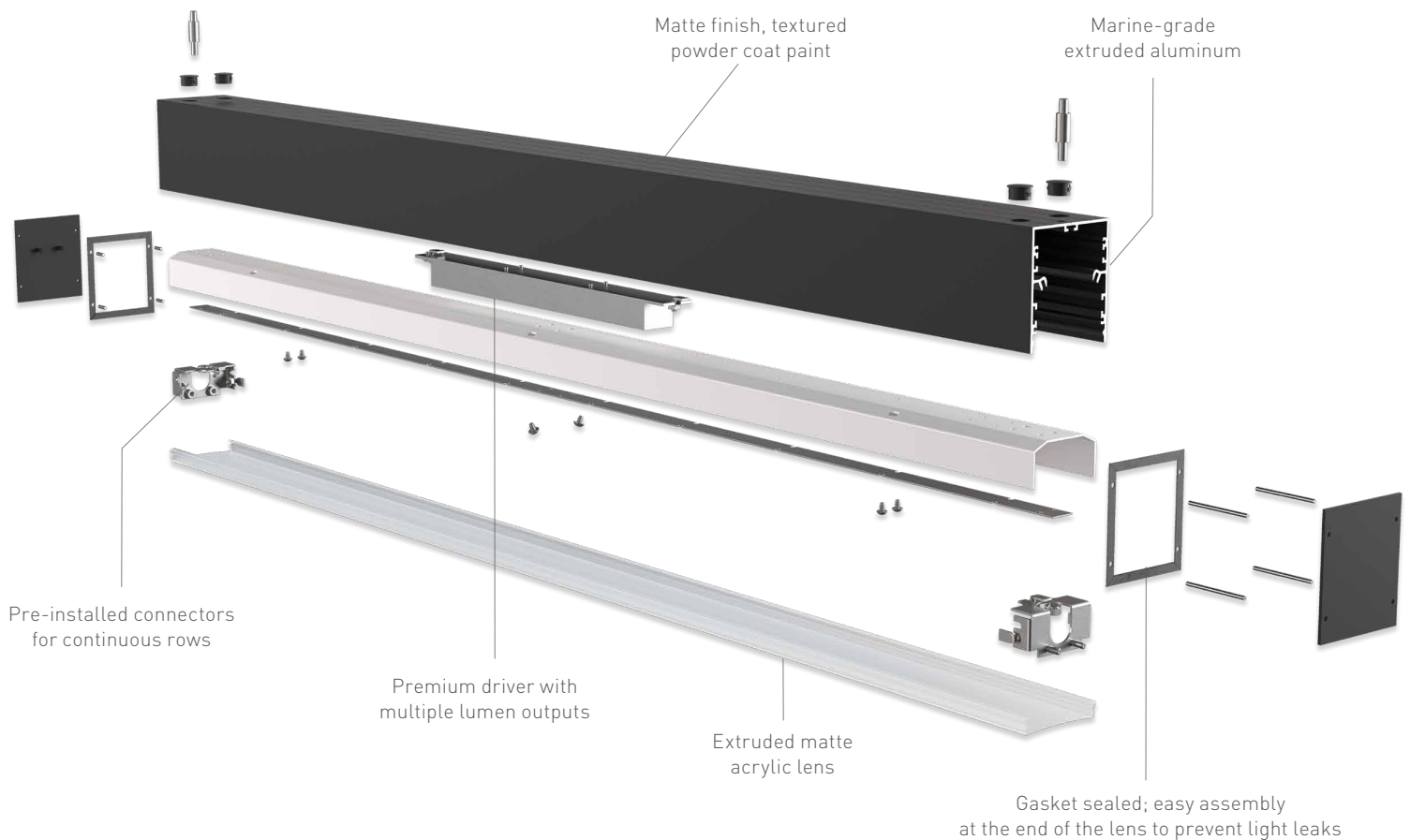
Now you can explore the clean, minimalist form of linear light with the Stylus™ Linear Series – Cree Lighting's versatile new linear 3" portfolio of perfectly mated segments designed for use every way, everywhere.

The Stylus™ Linear Series is a specification line of linear products, created with architects and lighting designers in mind, offering a full linear lighting portfolio that's extremely versatile yet very simple: simple to understand, and simple to configure, order and install.

The Stylus™ Linear Series combines sleek seamless lines, brilliant color quality and ultra-smooth dimming with a simplified design, ordering and installation experience for a modern linear offering designed to enhance both form and function – and it's only from Cree Lighting.

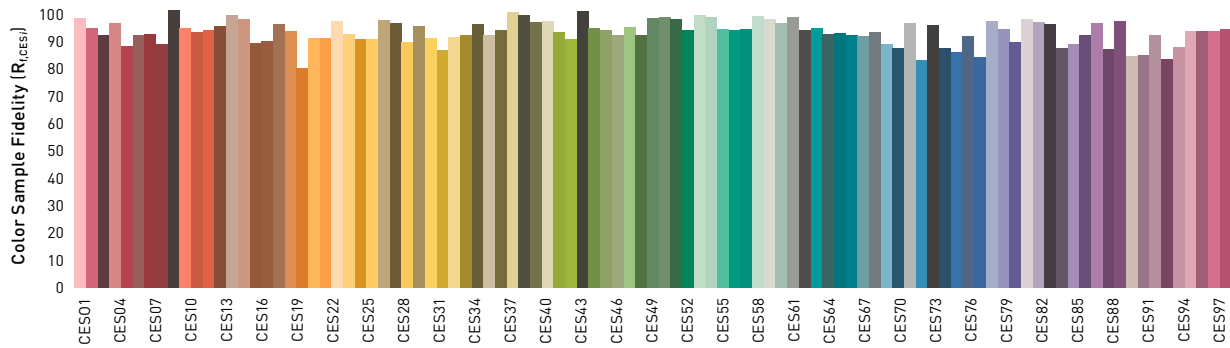
Cree Lighting's Stylus™ Linear Series is a fresh and versatile option that's simple to order and install, wrapped in a positive service experience and backed by a 10-year warranty.

- Smooth full-range dimming down to 1% standard
- Cree Lighting's Cree TrueWhite® Technology with 90 CRI and R9>65, as well as best-in-class color fidelity ≥ 92 and gamut ≥ 100 provides the truest natural colors without sacrificing performance
- Minimalist yet robust extruded aluminum form factor in multiple lengths

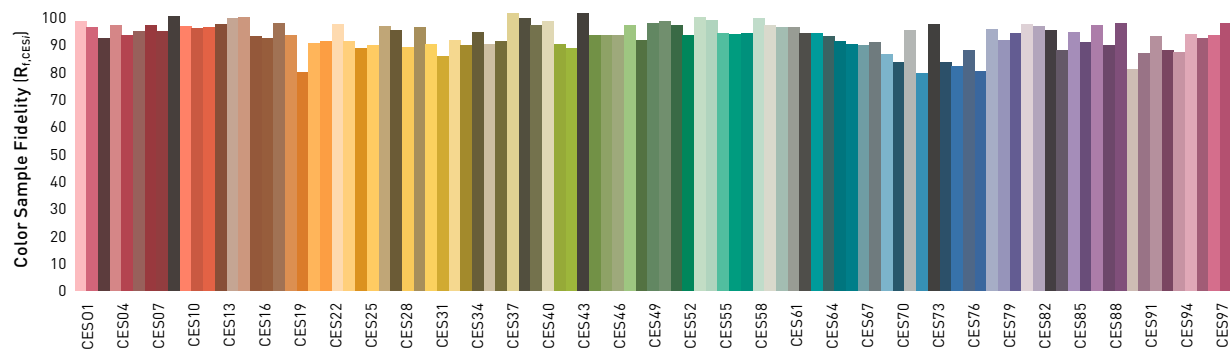


Stylus™ Linear Series TM-30 Color Rendition

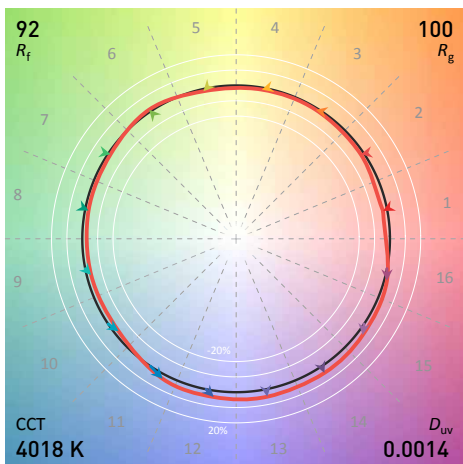
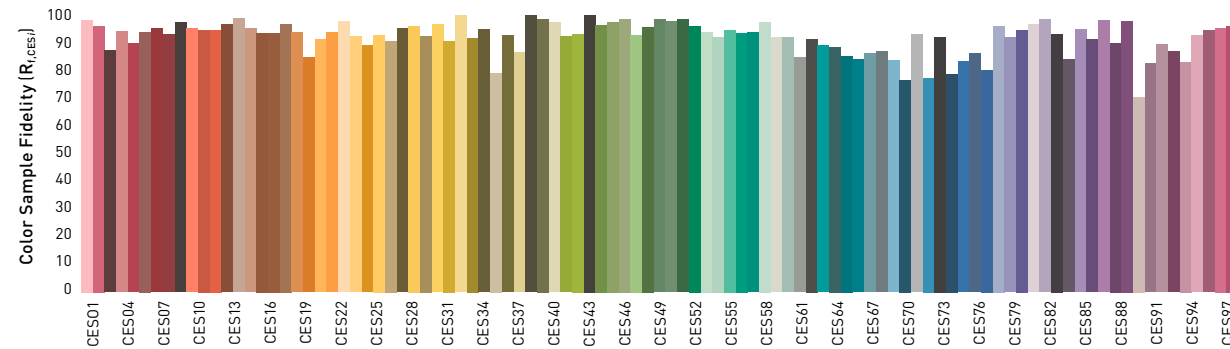
3000K



3500K



4000K



PERFORMANCE SUMMARY

Utilizes Cree TrueWhite® Technology
Initial Delivered Lumens: 400 lumens/ft (low), 650 lumens/ft (medium), 900 lumens/ft (high)
Input Power: 9 - 141 watts
Efficacy: Up to 85 LPW
Color: CRI >90, R9 >65
TM30 Color: Fidelity (R _f) ≥ 92, Gamut (R _g) ≥ 100
CCT: 3000K, 3500K, 4000K
Input Voltage: 120-277 VAC or 347 VAC
Limited Warranty: 10 years
Mounting: Individual mount or continuous row for recess, surface, suspended and wall mount
Dimming: 0-10V dimming to 1%, DALI dimming to 5%

YOU CAN NEVER BE TOO SLEEK...

Minimalist concepts are trending in new architectural and lighting designs. They're creating open-plan layouts with clean lines and clutter-free, spacious environments. That's boosting the popularity of pencil-thin linear fixtures, slot lighting and low-profile luminaires. The Stylus™ Linear Series complements these spaces because the straight-edge form factor can be entrained in long runs of crisp, uniform illumination that tie together lines of sight. In spaces with high ceilings or exposed plenums, linear fixtures can be suspended to subtly define the ceiling plane and create a more intimate sense of space while providing excellent task and ambient lighting.

...OR TOO SIMPLE

The Stylus™ Linear Series is designed to remove the hurdles to specifying linear lighting across large projects. Product specs are standardized but the fixtures are flexible, with six combinations of optics and mounts to mix and match, and a housing design that will fit virtually any ceiling type. Best of all, should you need assistance, Cree Lighting's Customer Experience team is ready to help turn your wish lists into comprehensive lighting layouts and ready-to-ship orders.



SIMPLE "DESIGN IN"

Full linear 3" portfolio to design an entire space: suspended, recessed, surface and wall mounts

- **Architect-friendly:** 2' to 72' increments allow for simple "design in" utilizing various lengths for the perfect fit
- **Designer-friendly:** With low, medium and high light output options, designers can choose whichever lumen package best complements their vision in both downlight and uplight configurations as well as three housing color options of white, black and graphite to make the fixtures disappear into the design
- **Installer-friendly:** Pre-installed connector brackets make for faster and easier installation of continuous row applications
- **Recessed slot option works with all ceiling types:** 1" T Bar, 9/16th T bar, screw slot t bar, Hard Ceiling, Flangeless, 1" Tegular, 9/16th Tegular, Overlap Flange
- **Uplight/downlight option** for both suspended and wall mount
- **Suspended option** employs standard cables and can be connected end to end
- **Low-profile fixture height** of less than 4" to recess in narrow plenums
- **Portfolio can be designed in 2' increments** and can be installed individually or end to end for continuous row applications with a clean seamless look
- **12' suspended Stylus™ Linear Series luminaire** with just two suspension mounts for faster and easier installation

SIMPLE ORDERING

Cree Lighting's Customer Experience team is ready to help **specifiers** turn wish lists into comprehensive lighting layouts and ready-to-ship orders.

SIMPLE INSTALLATION

Installer-friendly: Pre-installed connector brackets for faster and easier field assembly and installation of continuous row applications.



Office



Education



Healthcare

KEY APPLICATIONS

The Stylus™ Linear Series is perfect for higher-end open-ceiling environments for working, meeting and learning.

- Commercial & Office
- Education
- Healthcare

Visit creelighting.com or contact a Cree Lighting representative to learn more.

info@creelighting.com | 800.236.6800

© 2019 Cree Lighting, A company of IDEAL INDUSTRIES. All rights reserved. For informational purposes only. Content is subject to change. Patent www.creelighting.com/patents. Cree® and the Cree logo are registered trademarks and the Cree TrueWhite Technology logo is a trademark of Cree, Inc. TrueWhite® is a registered trademark and OneButton™ and Stylus™ are trademarks of Cree Lighting, A company of IDEAL INDUSTRIES. The UL logo is a registered trademark of UL, LLC. The DLC Premium logo is a registered trademark of Efficiency Forward, Inc. CAT/SSHT-C121 Rev. Date: 08/01/19



CREE LIGHTING

A COMPANY OF IDEAL INDUSTRIES, INC.