

HLP15Q Hazardous Location DuraLED Explosion Proof Luminaire



Project Name:	Project Information	Fixture Type:
Complete Catalog #:		Date:
Comments:		

**EXPLOSION PROOF
C1D2
HAZARDOUS**

**L70
25°C**
**183,000
Hours**



The DuraGuard HLP15Q Class 1, Division 2 Explosion Proof Hazardous Location Luminaire is available with a clear tempered glass lens. Typical lighting applications include industrial facilities, oil, gas, painting facilities, manufacturing, and auto service facilities.

SPECIFICATIONS AND FEATURES:

HOUSING:

Heavy-Duty Die Cast Aluminum Housing

LISTING & RATINGS:

ETL Listed for Hazardous Locations Per UL844 as Follows: Class 1, Division 2 Groups A, B, C, D; T4 Temperature Rating, -25°C to +50°C Ambient. Suitable for Wet Locations, Sealed LED Compartment

FINISH:

Powdercoat Finish Over a Chromate Conversion Coating.

LENS:

Clear Tempered Glass Lens

MOUNTING OPTIONS:

Mountings Include Suspended (Conduit by Others), Ceiling Mount Box, 25° and 90° Wall Mount with Box, 25° and 90° Stanchions, and Adjustable Yoke. Yoke Mount Includes 3' 16/3 SJOOW Cord and Rated Connector. Rated for 6 #12 AWG 90°C for Through Wiring. Mounts Shipped Separately, Field Installed.

DURALED LED:

Aluminum Boards

WATTAGE:

Array: 56.7w, System: 64w

DRIVER:

Electronic Driver, 120-277V, 50/60Hz; Less Than 20% THD and PF>0.90. Standard Internal Surge Protection 6kV. 0-10V Dimming Standard for a Dimming Range of 100% to 10%; Dimming Source Current is 150 Microamps.

WARRANTY:

5-Year Warranty

See Page 4 for Projected Lumen Maintenance Table.

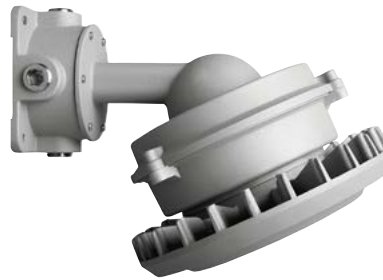
Suspended



Ceiling Mount



Wall Mounts



Shown with 25° Wall Mount



Shown with 90° Wall Mount

Stanchion Mounts



Shown with 25° Stanchion Mount



Shown with 90° Stanchion Mount

Flood



Shown with Adjustable Yoke



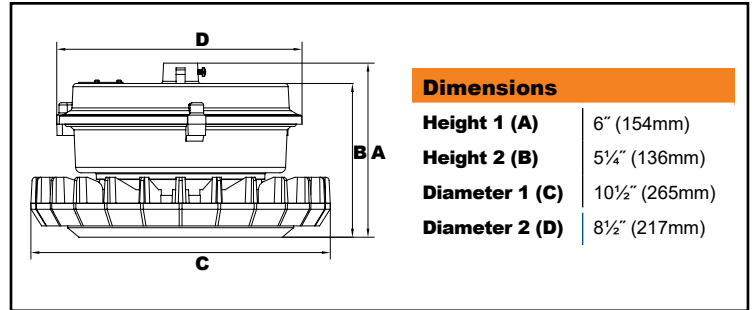
**Class 1, Division 2
Groups A, B, C, D
T4 Temperature Rating**

Specifications subject to change without notice.

HLP15Q Hazardous Location DuraLED Explosion Proof Luminaire



HLP15Q DuraLED Explosion Proof Luminaire Suspended

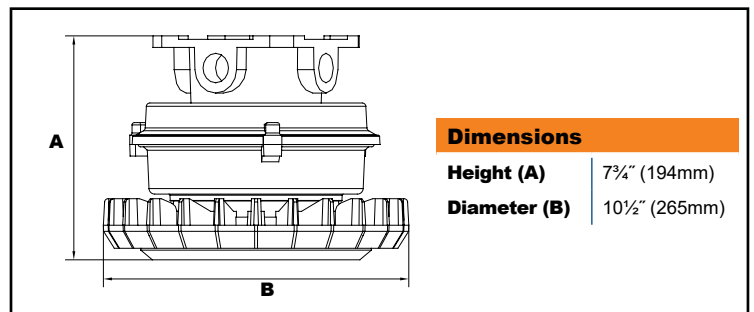


½" Hub

Complete Units
Ordering Information
Example: HLP15QF57U5KCGPSP

HLP15Q	F	57	U		C	G	P	
Model	Optics	Wattage	Driver	CCT	Lens	Color	Mount	Options
HLP15Q= DuraLED Hazardous Location Explosion Proof Luminaire	F=Wide	57=57w	U=120-277V	4K=4000K 5K=5000K	C=Clear Tempered Glass Lens	G=Gray	P=Suspended (Conduit by others)	SP=Surge Protection

HLP15Q DuraLED Explosion Proof Luminaire Ceiling Mount



¾" Entrance Plugs

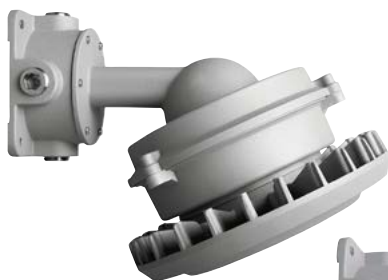
Complete Units
Ordering Information
Example: HLP15QF57U5KCGCMSP

HLP15Q	F	57	U		C	G	CM	
Model	Optics	Wattage	Driver	CCT	Lens	Color	Mount	Options
HLP15Q= DuraLED Hazardous Location Explosion Proof Luminaire	F=Wide	57=57w	U=120-277V	4K=4000K 5K=5000K	C=Clear Tempered Glass Lens	G=Gray	CM=Ceiling Mount	SP=Surge Protection

HLP15Q Hazardous Location DuraLED Explosion Proof Luminaire



HLP15Q DuraLED Explosion Proof Luminaire Wall Mounts



Shown with 25° Wall Mount

3/4" Entrance Plugs



Shown with 90° Wall Mount

Complete Units
Ordering Information
Example: HLP15QF57U5KCGW25SP

HLP15Q	F	57	U		C	G		
Model	Optics	Wattage	Driver	CCT	Lens	Color	Mount	Options
HLP15Q= DuraLED Hazardous Location Explosion Proof Luminaire	F=Wide	57=57w	U=120-277V	4K=4000K 5K=5000K	C=Clear Tempered Glass Lens	G=Gray	W25=25° Wall Mount W90=90° Wall Mount	SP=Surge Protection

25° Wall Mount

Dimensions	
Height 1 (A)	10" (256mm)
Height 2 (B)	5½" (140mm)
Length (C)	13¾" (352mm)
Width (D)	10½" (265mm)

90° Wall Mount

Dimensions	
Height 1 (A)	9¾" (246mm)
Height 2 (B)	5½" (140mm)
Length (C)	13¼" (336mm)
Width (D)	10½" (265mm)

HLP15Q DuraLED Explosion Proof Luminaire Stanchion Mounts



Shown with 25° Stanchion Mount



Shown with 90° Stanchion Mount

Mounts to 1¼" NPT

Complete Units
Ordering Information
Example: HLP15QF57U5KCGS25SP

HLP15Q	F	57	U		C	G		
Model	Optics	Wattage	Driver	CCT	Lens	Color	Mount	Options
HLP15Q= DuraLED Hazardous Location Explosion Proof Luminaire	F=Wide	57=57w	U=120-277V	4K=4000K 5K=5000K	C=Clear Tempered Glass Lens	G=Gray	S25=25° Stanchion S90=90° Stanchion	SP=Surge Protection

25° Stanchion

Dimensions	
Height 1 (A)	8½" (216mm)
Length (B)	13½" (343mm)
Width (C)	10½" (265mm)

90° Stanchion

Dimensions	
Height 1 (A)	7¼" (186mm)
Length (B)	13¼" (338mm)
Width (C)	10½" (265mm)

Specifications subject to change without notice.

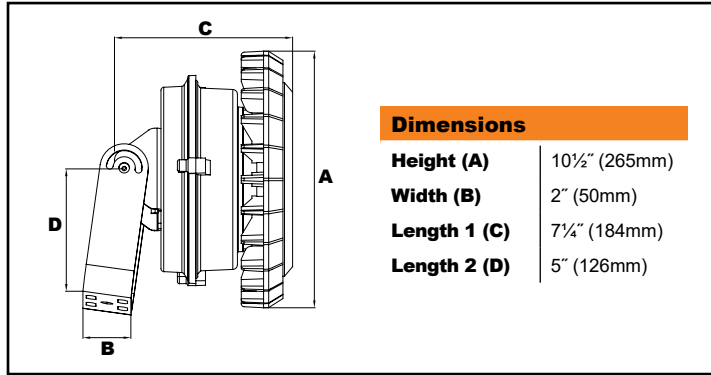
HLP15Q Hazardous Location DuraLED Explosion Proof Luminaire



HLP15Q DuraLED Explosion Proof Luminaire Flood



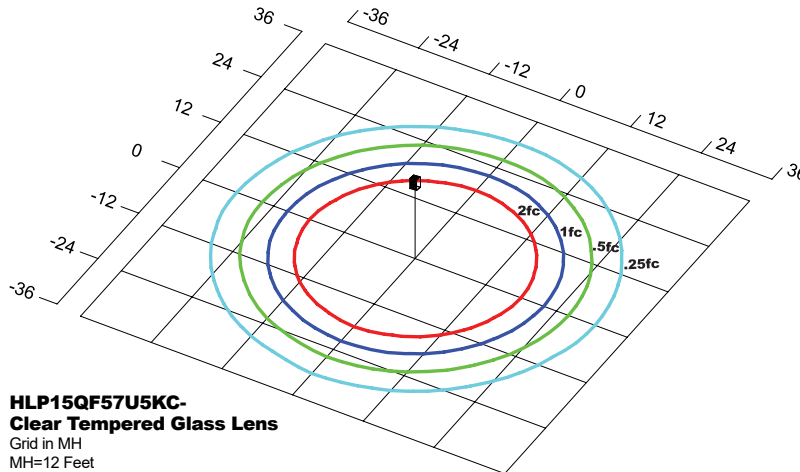
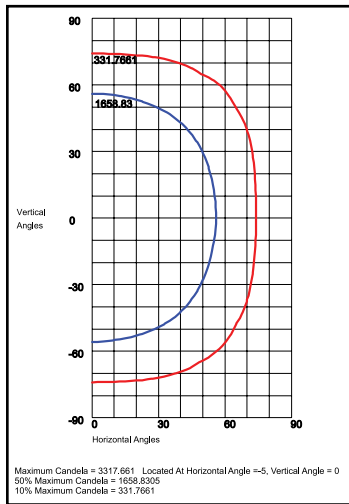
Shown with Adjustable Yoke



Complete Units
Ordering Information
Example: HLP15QF57U5KCGYSP

HLP15Q	F	57	U		C	G	Y	
Model	Optics	Wattage	Driver	CCT	Lens	Color	Mount	Options
HLP15Q= DuraLED Hazardous Location Explosion Proof Luminaire	F=Wide	57=57w	U=120-277V	4K=4000K 5K=5000K	C=Clear Tempered Glass Lens	G=Gray	Y=Adjustable Yoke	SP=Surge Protection

PHOTOMETRIC DATA



HLP15QF57U5KC- Clear Tempered Glass Lens

PHOTOMETRIC PERFORMANCE

LED Board Watts	Drive Current (mA)	Input Watts	Optics	5000 CCT 80 CRI		4000 CCT 80 CRI	
				Lumens	LPW	Lumens	LPW
DuraLED 57w (Clear Lens)	175	64	F 110°H x 110°V, NEMA 7H x 7V	8,957	140	8,599	135

PROJECTED LUMEN MAINTENANCE

Data shown for 5000 CCT			Compare to MH			
TM-21-11	Input Watts	Initial	25,000 Hrs	50,000 Hrs	100,000 Hrs	Calculated L70@ 25°C
L70 Lumen Maintenance @ 25°C / 77°F	64	1.00	0.96	0.92	0.84	183,000
TM-21-11	Input Watts	Initial	25,000 Hrs	50,000 Hrs	100,000 Hrs	Calculated L80@ 40°C
L80 Lumen Maintenance @ 50°C / 104°F	64	1.00	0.93	0.86	0.71	105,000
TM-21-11	Input Watts	Initial	25,000 Hrs	50,000 Hrs	100,000 Hrs	Calculated L80@ 40°C
L80 Lumen Maintenance @ 40°C / 104°F	64	1.00	0.94	0.88	0.75	81,000

NOTES:
1. Projected per IESNA TM-21-11. Data references the extrapolated performance projections for the 175mA base model in a 25°C ambient, based on 10,000 hours of LED testing per IESNA LM-80-08.
2. Compare to MH box indicates suggested Light Loss Factor (LLF) to be used when comparing to Metal Halide (MH) systems. Specifications subject to change without notice.