

MWPCOQ DuraLED Medium Wallpack Full Cutoff



| | |
|----------------------------|---------------------|
| Project Information | |
| Project Name: _____ | Fixture Type: _____ |
| Complete Catalog #: _____ | Date: _____ |
| Comments: _____ | |

The DuraGuard MWPCOQ cutoff wall pack luminaire is available with a choice of optical distributions designed to replace HID lighting systems 175w to 400w MH or HPS. Typical wall mounted lighting applications include retail centers, industrial parks, schools and universities, public transit and airports, office buildings and medical facilities. Mounting heights of 12 to 18 feet can be used based on light level and uniformity requirements.

SPECIFICATIONS AND FEATURES:

HOUSING:

Die Cast Hinged and Gasketed Aluminum Front Frame and Housing with 1/2" Coin Plugs. Nickel-Plated Stainless Steel Hardware. Photocell Adaptable.

LISTING & RATINGS:

CSA: Listed for Wet Locations, ANSI/UL 1598, 8750 IP65 Sealed LED Compartment.

FINISH:

Textured Architectural Bronze Powdercoat Finish Over a Chromate Conversion Coating. Custom Colors Available Upon Request.

LENS:

Tempered Clear Flat Glass Lens or Tempered Clear Flat Prismatic Glass Lens.

MOUNTING OPTIONS:

Cast-in Template for Mounting Directly Over a 4" Recessed Outlet Box, or Use 1/2" Surface Conduit.

DURALED LED:

Aluminum Boards

WATTAGE:

25w Array: 24.78w, System: 27.1w;
37w Array: 37.2w, System: 40.6;
50w Array: 50w, System: 54.2w;



DRIVER:

Electronic Driver, 120-277V, 50/60Hz; Less Than 20% THD and PF>0.90. Standard Internal Surge Protection 6kV. 0-10V Dimming Standard for a Dimming Range of 100% to 10%; Dimming Source Current is 150 Microamps.

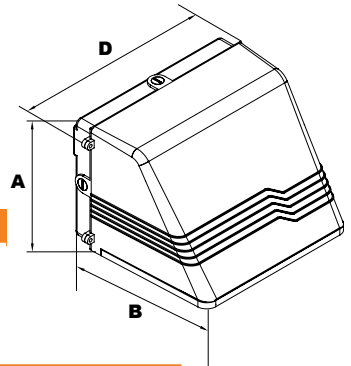
CONTROLS:

Fixtures Ordered with Factory-Installed Photocell or Motion Sensor Controls are Internally Wired for Switching and/or 1-10V Dimming Within the Housing. Remote Direct Wired Interface of 1-10V Dimming is Not Implied and May Not Be Available, Please Consult Factory. Fixtures are Tested with DuraGuard Controls and May Not Function Properly With Controls Supplied By Others. Fixtures are NOT Designed for Use with Line Voltage Dimmers.

WARRANTY:

5-Year Warranty for -40°C to +40°C Environment.

See Page 2 for Projected Lumen Maintenance Table.



Dimensions

| | |
|-------------------|-----------------|
| Width (D) | 14 1/4" (362mm) |
| Length (B) | 11 3/8" (289mm) |
| Height (A) | 9 1/8" (232mm) |

DuraLED TECHNOLOGY

Complete Units
Ordering Information
Example: MWPCOQF1X37U5KCZSP

MWPCOQ DuraLED Medium Wallpack Full Cutoff

| MWPCOQ | | U | | | | | |
|--|------------------------|----------------------------------|------------|---|------|--|---------|
| Model | Optics | Wattage | Driver | CCT | Lens | Color | Options |
| MWPCOQ= DuraLED Medium Wallpack Cutoff | C=Type III F=Type V | 1X25=25w 1X37=37w 1X50=50w | U=120-277V | 3K=3000K* 4K=4000K 5K=5000K | | Z=Bronze C=Custom (Consult Factory) | |
| | | | | *37w & 50w for Type III Only | | | |
| | | | | C=Clear Flat Glass Lens, P=Clear Flat Prismatic Glass Lens* | | | |
| | | | | *Use with F Optic Only. | | | |
| | | | | SF=Single Fuse* DF=Double Fuse* SP=Surge Protection PC3=Photocell, 120-277VAC S2=Microwave Sensor with Dimming for Mounting Heights of 8' to 40'.* S4=Microwave On/Off Motion Sensor for Mounting Heights of 8' to 19'.* BU=Battery Backup, 90 Minutes* | | | |
| | | | | *120-277V Models Only. | | | |



DesignLights Consortium™
Qualified Luminaires:
MWPCOQC1X37U5KC**
MWPCOQF1X37U5KC**

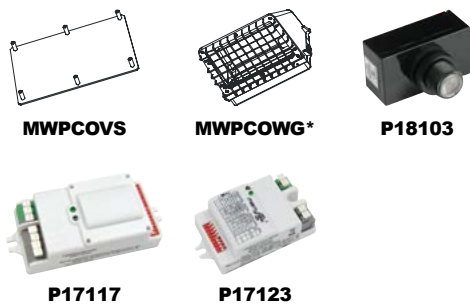


Specifications subject to change without notice.

MWPCOQ DuraLED Medium Wallpack Full Cutoff



ACCESSORIES & REPLACEMENT PARTS:



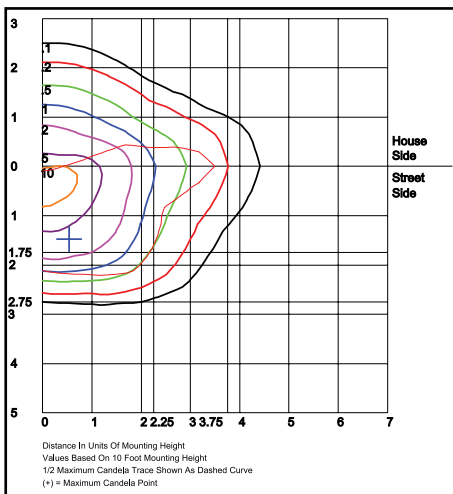
| Accessories (Order Separately, Field Installed) | |
|--|--|
| MWPCOV5 | Clear UV-Stabilized Polycarbonate Vandal Resistant Guard, Includes Hardware. |
| MWPCOWG | Wire Guard, Stainless Steel Construction, Includes Hardware. |

| Replacement Parts (Order Separately, Field Installed) | |
|--|--|
| MWPCOGL | Tempered Clear Flat Glass Lens. |
| MWPCOGLP | Tempered Prismatic Flat Glass Lens. |
| P18103 | 120-277VAC Photocell |
| P17117 | Internal Microwave Sensor with Dimming for Mounting Heights of 8 to 40'. 120-277VAC, 50/60Hz |
| P17123 | Internally Mounted Microwave On/Off Motion Sensor for Mounting Heights of 8' to 19', 120-277VAC, 50/60Hz |

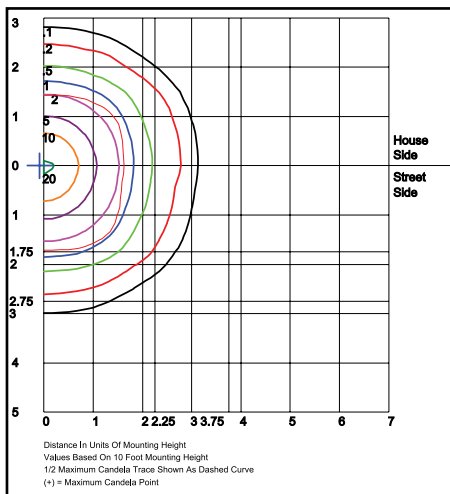
For Replacement Battery Backup, see the DuraGuard LED Battery Backup Specification Sheet.

*Shown mounted.

PHOTOMETRIC DATA



MWPCOQC1X50U5KC
Type III
Grid in MH
MH=10 Feet



MWPCOQF1X50U5KC
Type V
Grid in MH
MH=10 Feet

PHOTOMETRIC PERFORMANCE

| Optic | CCT | Wattage (Catalog Logic) | | | |
|--------------|------------|----------------------------|---------------|---------------|-------|
| | | 25W (1X25) | 37W (1X37) | 50W (1X50) | |
| | | Input Watts | 27.1W | 40.6W | 54.2W |
| | | Delivered Lumens | | | |
| C = Type III | 3000K | - | 3,784 | 5,046 | |
| | 4000K | 2,737 | 4,105 | 5,473 | |
| | 5000K | 2,851 | 4,276 | 5,701 | |
| | BUG Rating | B1-U2-G1 | B1-U2-G1 | B1-U2-G1 | |
| F = Type V | 3000K | - | - | - | |
| | 4000K | 2,867 | 4,301 | 5,735 | |
| | 5000K | 2,987 | 4,480 | 5,974 | |
| | BUG Rating | B1-U2-G0 | B2-U2-G0 | B2-U2-G0 | |

PROJECTED LUMEN MAINTENANCE

| Data shown for 5000 CCT | | Compare to MH | | | | |
|--------------------------------------|--------------------------------------|---------------|------------|------------|-------------|---------------------|
| TM-21-11 | Input Watts | Initial | 25,000 Hrs | 50,000 Hrs | 100,000 Hrs | Calculated LED Life |
| L70 Lumen Maintenance @ 25°C / 77°F | All wattages up to and including 54w | 1.00 | 0.96 | 0.93 | 0.86 | 213,000 |
| L70 Lumen Maintenance @ 50°C / 122°F | | 1.00 | 0.93 | 0.87 | 0.73 | 113,000 |
| L80 Lumen Maintenance @ 40°C / 104°F | | 1.00 | 0.95 | 0.89 | 0.78 | 91,000 |

NOTES:

- Projected per IESNA TM-21-11. Data references the extrapolated performance projections for the 525mA base model in a 25°C ambient, based on 10,000 hours of LED testing per IESNA LM-80-08.
- Compare to MH box indicates suggested Light Loss Factor (LLF) to be used when comparing to Metal Halide (MH) systems.

Specifications subject to change without notice.