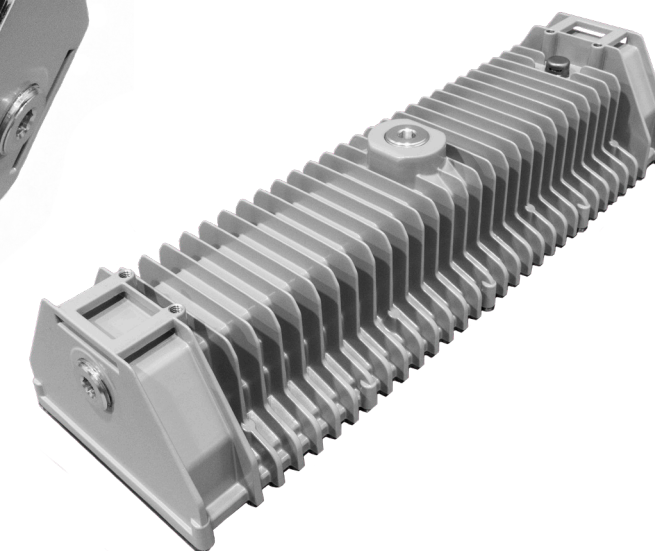
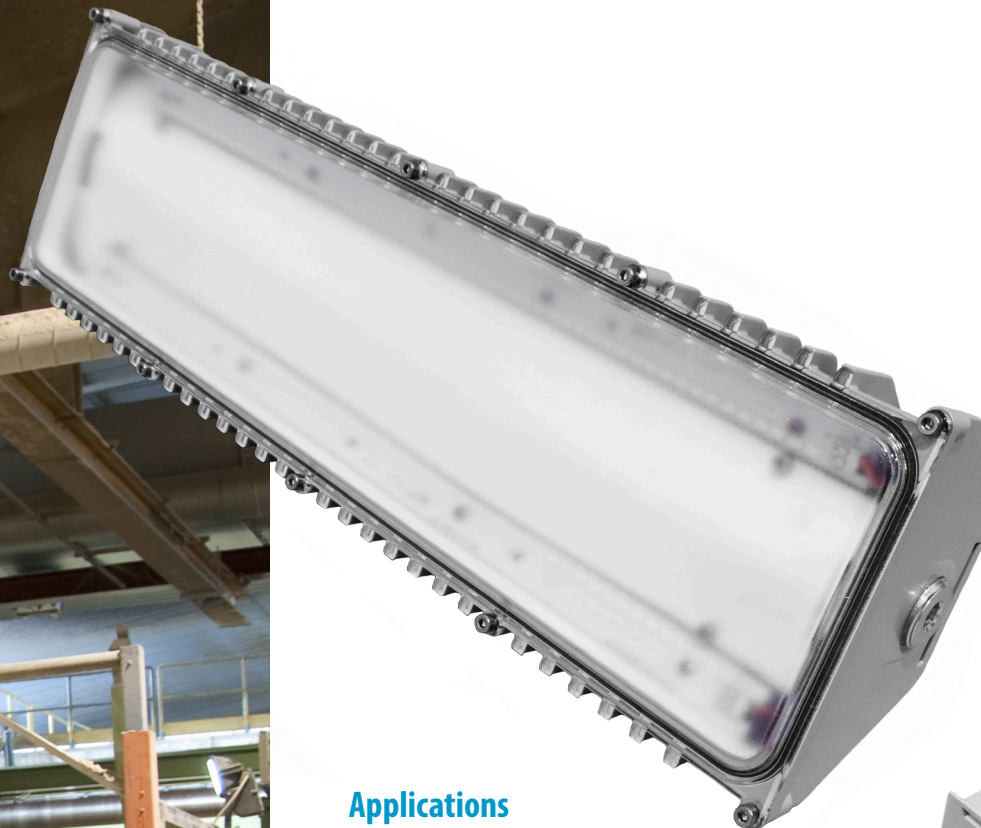




BL

SPECIFICATION GRADE EXTREME ENVIRONMENT LED LUMINAIRES



Applications

- Modular building illumination (interior & exterior)
- Workbench task light
- Fluorescent vapour tight replacement
- Mining tunnel illumination
- Marine Locations (UL1598A)

Features

- Linear LED luminaire for the conventional vapor tight category
- Two lumen output levels
- Suitable for high ambient temperature operation
- Multiple mounting options
- 3/4" NPT entries on 3 sides
- Thru-wiring: multiple units can be daisy-chained on a single electrical circuit
- Rated for hazardous location use
- Industrial grade housing designed to withstand vibration and impact
- Triple layer corrosion protection
- Field serviceable and replaceable components

Output

- 2,450 to 4,475 lumens
- 0-10V dimmable

Certifications

- UL 1598, UL 1598A
- UL844, UL 1598, UL 1598A;
- CSA 22.2 No. 250.0; CSA 22.2 No. 250.13; CSA 22.2 No. 137
- Class I, Division 2, Groups ABCD, T4A;
- Class II, Division 2, Groups FG, T6;
- Class III; Class I, Zone 2, Groups IIC;
- Zone 22

Warranty

- Five (5) year limited warranty

Nemalux BL LED fixtures are a durable and robust linear luminaire designed to replace vapour tight fluorescent lights in industrial, marine, commercial and temporary shelter applications. The BL is available in 20W and 40W outputs and can be surface-mounted, suspended or mounted with an optional angle adjustable mount. With a projected lifespan of 100,000 hours and up to 4,400 lumen output, the BL is IP66 rated for indoor and outdoor applications. Marine (UL1598A) and optional CID2 Hazardous Location rating enable use in harsh environments.

Multiple light output packages and custom colour temperatures, the BL is a flexible replacement for modular building fabricators, perimeter lighting, catwalks, workbenches, over table & equipment lighting, and outdoor shelter area lighting. Colour temperature options range between 2700K and 6500K with 0-10V dimmable power supplies and 120-277 VAC / *347 VAC input.

**347 VAC - not rated for hazardous location use*

 **Nemalux™**
INDUSTRIAL

1018 72nd Ave NE
Calgary, AB, Canada

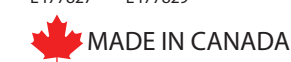
T2E 8V9

P: 403.242.7475

F: 403.243.6190

info@nemalux.com

www.nemalux.com



BL

Product Features

Finish

- Triple layer corrosion protection: chromate conversion coating, epoxy powder coat primer, super-durable polyester powder top-coat
- Resistant to impact, humidity and high chlorine environments

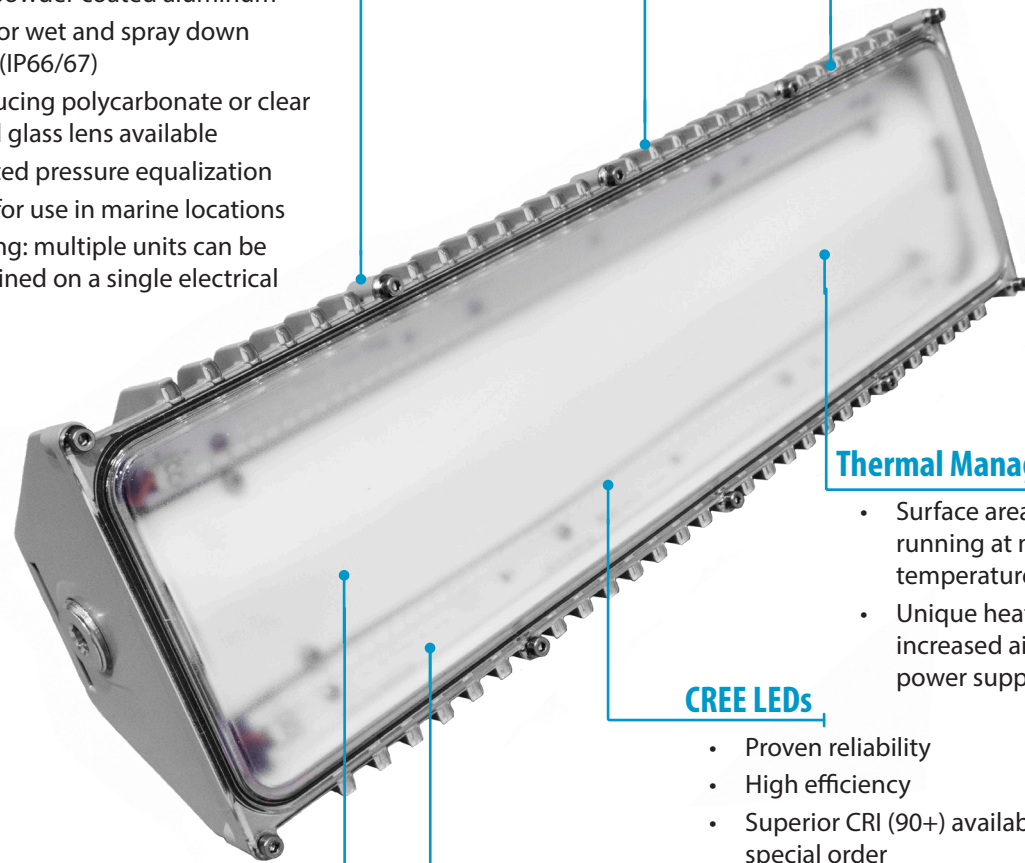
Mounting

Versatile brackets allow for several mounting styles:

- Surface mount
- Wall mount
- Adjustable yoke mount
- Hook mount
- Tube clamp mount
- Stainless steel straps

Housing

- Die-cast powder coated aluminum
- Suitable for wet and spray down locations (IP66/67)
- Glare reducing polycarbonate or clear tempered glass lens available
- Gore vented pressure equalization
- Certified for use in marine locations
- Thru-wiring: multiple units can be daisy-chained on a single electrical circuit



Thermal Management

- Surface area ensures LEDs are kept running at maximum efficiency in temperatures up to 55°C
- Unique heat sink design creates increased airflow for optimal LED and power supply operating temperatures

CREE LEDs

- Proven reliability
- High efficiency
- Superior CRI (90+) available for special order
- Available standard in 5,000K with additional choices from 2,700K to 6,500K available for special order

Power Supplies

- Two input power ranges for flexibility
- Built-in temperature control adjusts power output in case of extreme ambient temperatures in order to maintain illumination while protecting the luminaire
- High performance LED drivers for better efficiency and up to 100,000 hours of maintenance-free operation (LM-80)
- Built in JB with 3 x 3/4" NPT entry for electrical termination within sealed cavity

Light Engine

- Metal core PCB
- Fault tolerant and fail-over design ensures reliability and resilience to damage



To inquire about products, discuss your needs or get a no-obligation lighting layout from our experts, please contact us.

1-877-636-2589

MODEL NUMBER SELECTOR

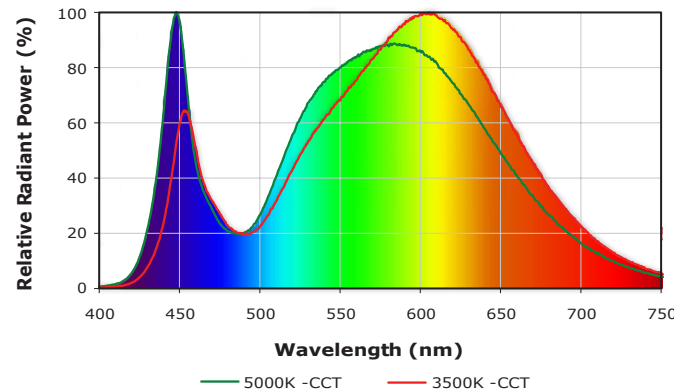
Example: BL20-50-GY-GN-AC-DS-SM

Model	Colour	Finish	Location	Voltage	Options
BL20	50 - 5000K (70CRI)	GY - Grey	GN - General Location	AC - 120 to 277VAC	DS - Dimming Switch ²
BL40	50H - 5000K (90CRI)	WT - White ¹	HZ - Hazardous Location		515P - 6' Nema 5-15 Corded Plug ²
	U37 - 375 nm	BK - Black ¹			DP - Dimming Switch & 6' Nema 5-15 Corded Plug ²
	U38 - 385 nm				GW - Tempered Glass Lens ²
	U39 - 395 nm				
	U40 - 405 nm				

1. Minimum order quantities, additional costs and lead times may incur.
2. Units with dimming knob and/or corded plug are rated for 120VAC and IP20 (suitable for dry/damp locations) only.

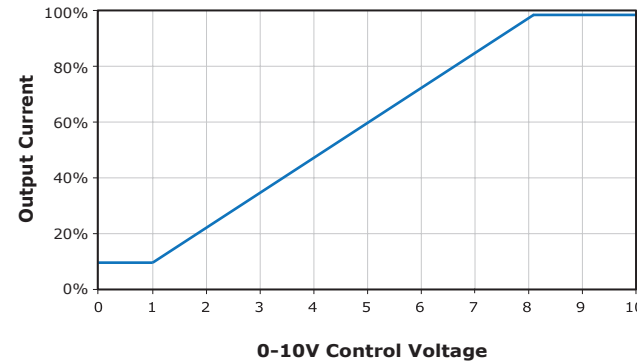
COLOUR TEMPERATURE

Available standard in 3,500K and 5,000K colour temperatures, with additional colour temperatures available from 2,700 to 6,500K.



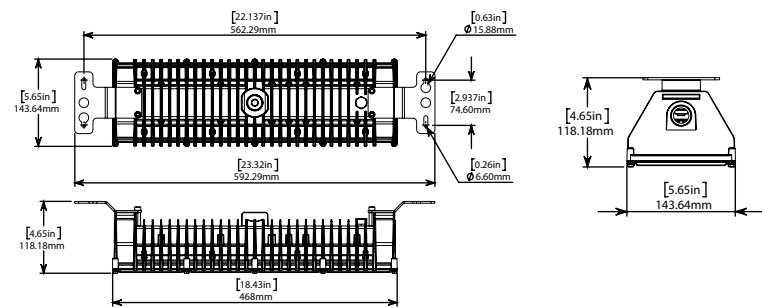
DIMMING

Driver will source a maximum of 200 uA for control needs. A controller must sink current from 0-10V control leads.

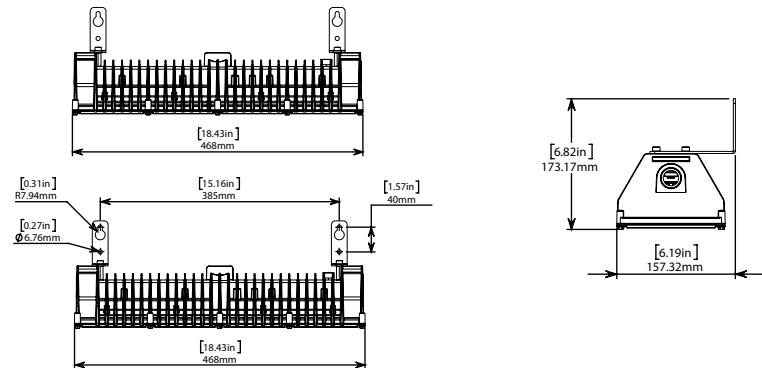


MOUNTING OPTIONS

SURFACE MOUNT (BL-SM) : 3.2 kg | 7.0 lbs (Optional Accessory)

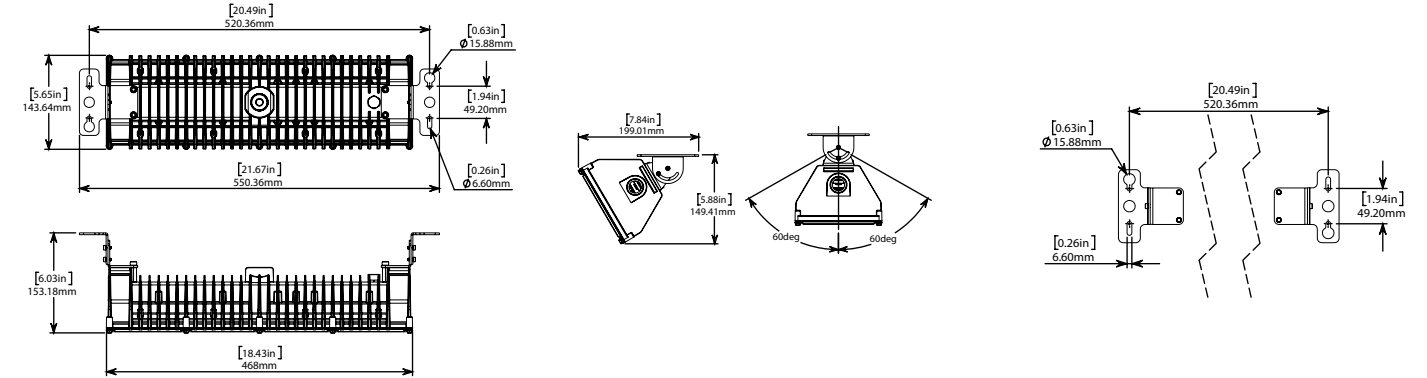


WALL MOUNT (BL-WM) : 3.1 kg | 6.8 lbs (Optional Accessory)

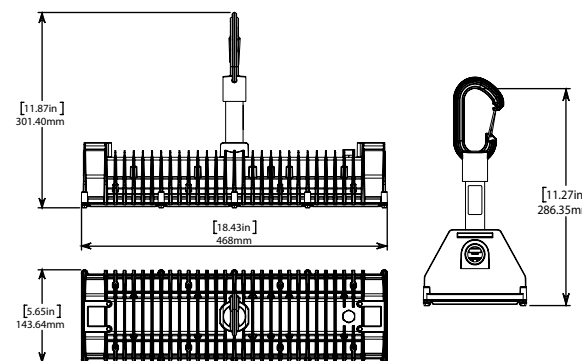


MOUNTING OPTIONS

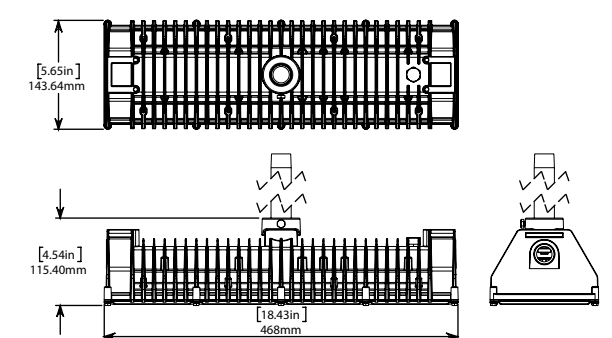
ADJUSTABLE YOKE MOUNT (BL-YM) : 3.3 kg | 7.2 lbs (Optional Accessory)



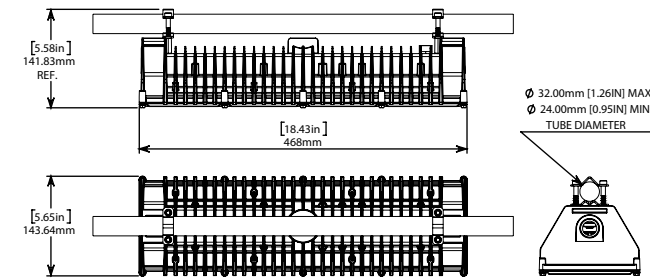
HOOK MOUNT (BL-HK) : 3.2 kg | 7.0 lbs (Optional Accessory)



PENDANT/CONDUIT MOUNT (BL-HK) : 3.0 kg | 6.6 lbs (Optional Accessory)



TUBE CLAMP MOUNT (BL-TC) : 3.2 kg | 7.0 lbs (Optional Accessory)



STRAP MOUNT (BL-ST) : 3.1 kg | 6.8 lbs (Optional Accessory)

