



APPLICATION

Nemalux BL luminaires are designed for use indoors, outdoors, in wet and marine locations, for applications where they will be frequently exposed to moisture, dirt, corrosive environments, vibration, and rough usage.

As defined by the National Electrical Code (NEC) and the Canadian Electrical Code (CEC), Nemalux BL luminaires are suitable for use in: hazardous locations indoors, outdoors, in dry, wet, or corrosive environments. This product is Listed by UL as an LED surface mounted luminaire and as a Marine outside type (salt-water) non-recessed luminaire.

Certified to: UL 844, UL 1598, and UL1598A;
 CSA 22.2 NO. 250.0, CSA C22.2 NO. 250.13, and CSA C22.2 NO. 137

Hazardous Location Certification:
Class I, Division 2, Groups ABCD, T4A;
Class II, Division 2, Groups FG, T6;
Class III;
Class I, Zone 2, Group IIC;
Zone 22

Housing: Copper-free Cast Aluminium with Polycarbonate lens
 Optional glass window in stainless frame.

Input Voltage: AC: 120/230-277VAC 50/60Hz

Rated Wattage: BL20: 17W | BL40: 34W

Connections: 3 x 3/4" NPT Threaded Entry
 Black: Line | White: Neutral/Line 2 | Green: Ground
 For connections use wire rated to a minimum of 90° C. Class 1 wiring only.

Temperature Range: -50°C to +65°C

Ingress Protection: IP 66 | Suitable for Wet Locations



WARNING

WARNING: THIS PRODUCT MUST BE INSTALLED IN ACCORDANCE WITH THE APPLICABLE INSTALLATION CODE BY A PERSON FAMILIAR WITH THE CONSTRUCTION AND OPERATION OF THE PRODUCT AND THE HAZARDS INVOLVED

ATTENTION: CE PRODUIT DOIT ÊTRE INSTALLÉ SELON LE CODE D'INSTALLATION PERTINENT, PAR UNE PERSONNE QUI CONNAÎT BIEN LE PRODUIT ET SON FONCTIONNEMENT AINSI QUE LES RISQUES INHÉRENTS



WARNING

POTENTIAL ELECTROSTATIC CHARGING HAZARD – SEE INSTRUCTIONS. TO REDUCE THE RISK OF IGNITION OF HAZARDOUS ATMOSPHERES, DISCONNECT THE LUMINAIRE FROM THE SUPPLY CIRCUIT BEFORE OPENING. KEEP TIGHTLY CLOSED WHEN IN OPERATION.

CHARGE ÉLECTROSTATIQUE POTENTIEL DE DANGER – VOIR LES INSTRUCTIONS. POUR RÉDUIRE LE RISQUE D'INFLAMMATION DES ATMOSPHÈRES DANGEREUSES, DÉBRANCHEZ LE LUMINAIRE DU CIRCUIT ÉLECTRIQUE AVANT D'OUVRIR. CONSERVER HERMÉTIQUEMENT FERMÉ LORSQU'IL EST EN FONCTIONNEMENT.

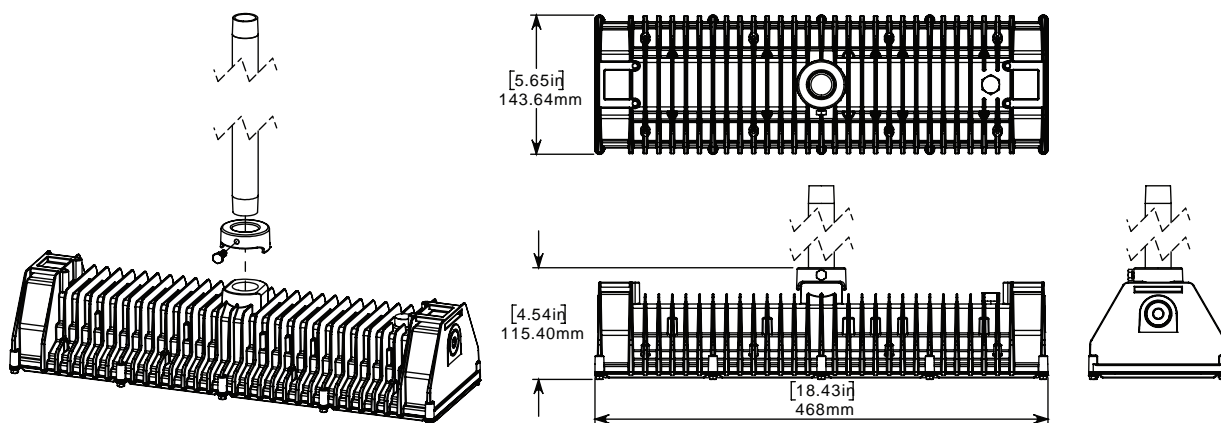
INSTALLATION

The Luminaire shall be installed per one of the following mounting means shipped with the luminaire.

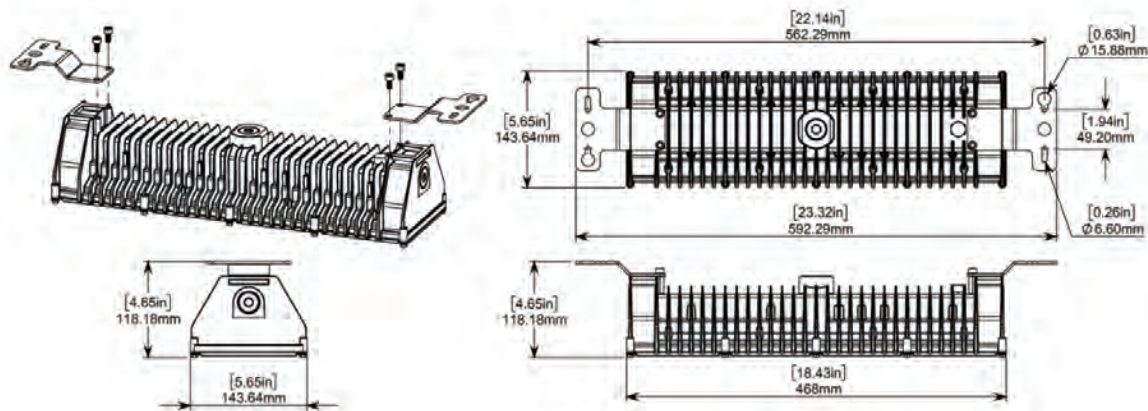
STEP 1.

Mount fixture in desired location.

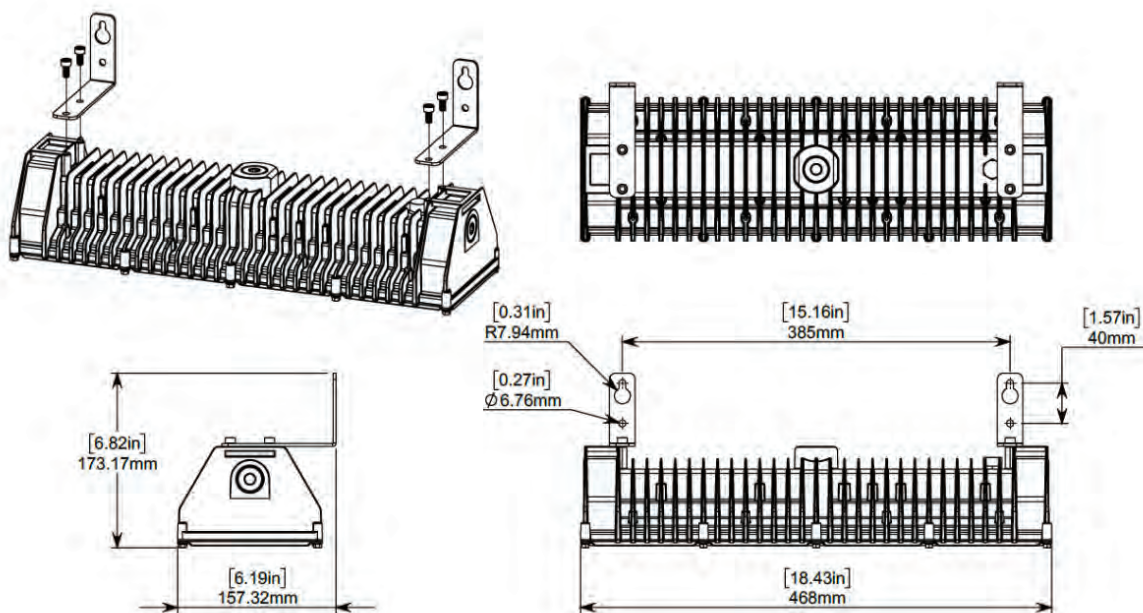
A) For pendant mounting, the R-CC anti-rotation lock accessory kit is required. Slide anti-rotation lock onto 3/4" trade size rigid metal conduit and lightly tighten set screw to hold in place. Thread BL luminaire directly onto conduit. Slide anti-rotation lock down over top of mating geometry on luminaire and tighten set screw to 4.5 N-m [40 in-lbs]. Conduit must be suitably mounted using a Listed fixture hanger.



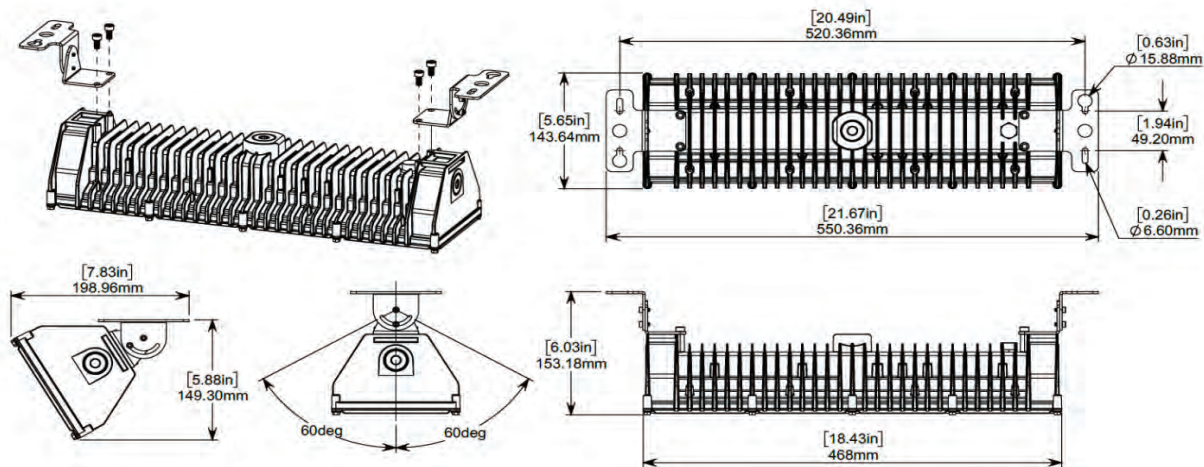
B) For surface mounting, the BL-SM kit is required. Install surface mounting brackets on the BL luminaire as shown using the provided M6 fasteners. Torque M6 fasteners to 4.5 N-m [40 in-lbs]. For surface installation, mount fixture to desired location using 4x 1/4-20 or M6 fasteners.



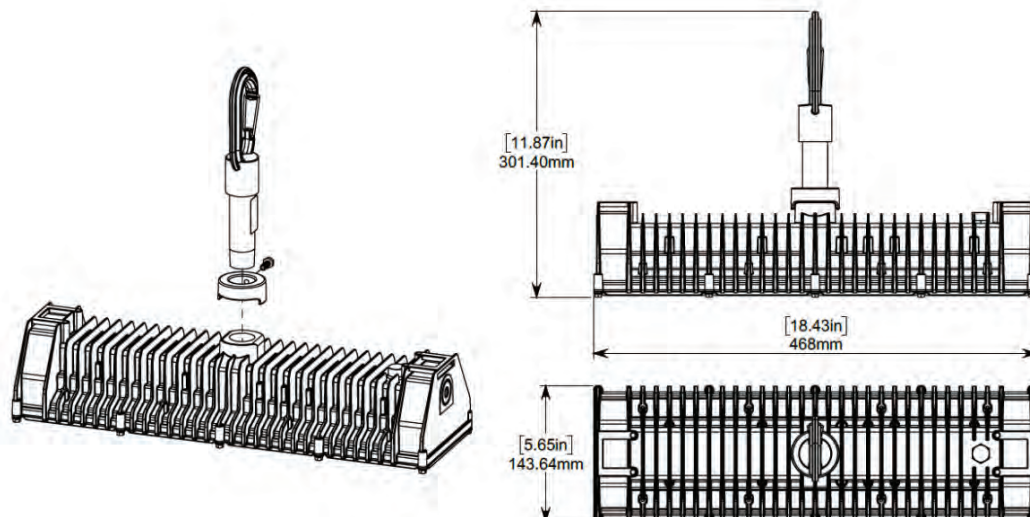
C) For wall mounting, the BL-WM kit is required. Install wall mounting brackets on the BL luminaire as shown using the provided M6 fasteners. Torque M6 fasteners to 4.5 N-m [40 in-lbs]. Mount fixture to desired location using 4x 1/4-20 or M6 fasteners.



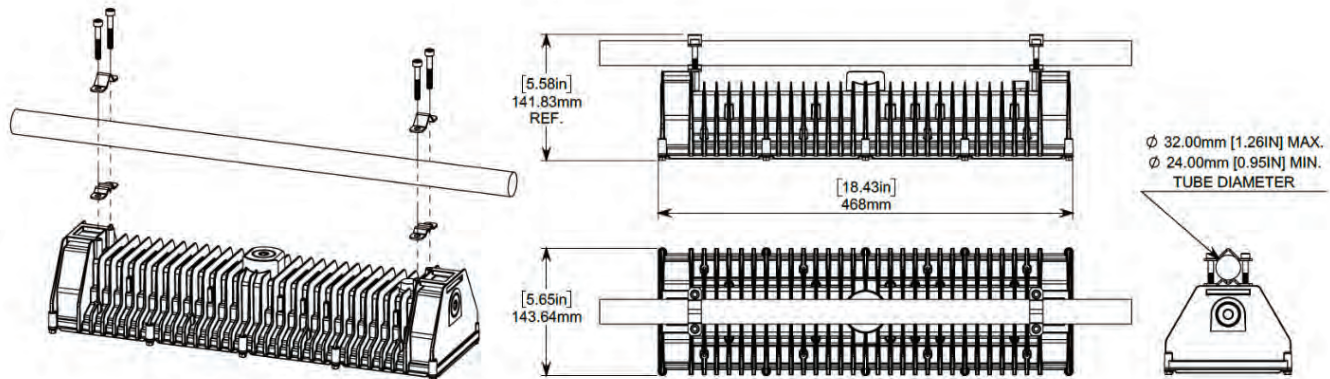
D) For adjustable/swivel bracket mounting, the BL-YM kit is required. Install both swivel bracket A components on the BL luminaire as shown using the provided M6 fasteners. Torque M6 fasteners to 4.5 N-m [40 in-lbs]. Install Swivel Bracket B components as shown, using the provided M4 fasteners. Torque M4 fasteners to 1.7 N-m [15 in-lbs]. Mount fixture to desired location using 4x 1/4-20 or M6 fasteners.



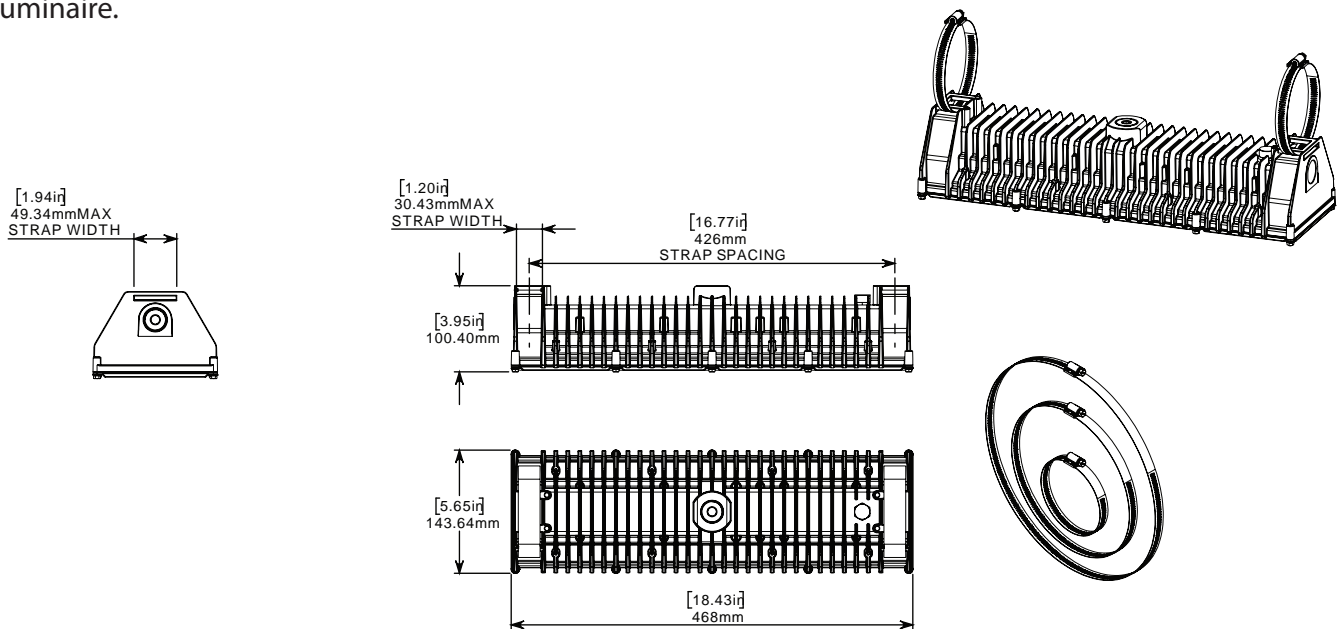
E) For hook pendant installation, the BL-HK kit is required. Slide anti-rotation lock onto suspension hook assembly and install hook assembly into 3/4 NPT threaded entry. Tighten to hand tight plus 1 to 2 turns. Slide anti-rotation lock into place and tighten set screw to lock unit in place. Tighten the anti-rotation lock set screw to 4.5 N-m [40 in-lbs]. Clip hook onto eye-bolt or other fixed mounting loop.



F) For mounting onto tubing between 24.0mm [0.95in] and 32.0mm [1.26in] in diameter, the BL-TC kit is required. Install the Tube Mount components as shown using the provided fasteners. Tighten M6 fasteners by equal amounts until they make contact with the tubing. Torque to a maximum of 4.5 N-m [40 in-lbs] to secure the luminaire.



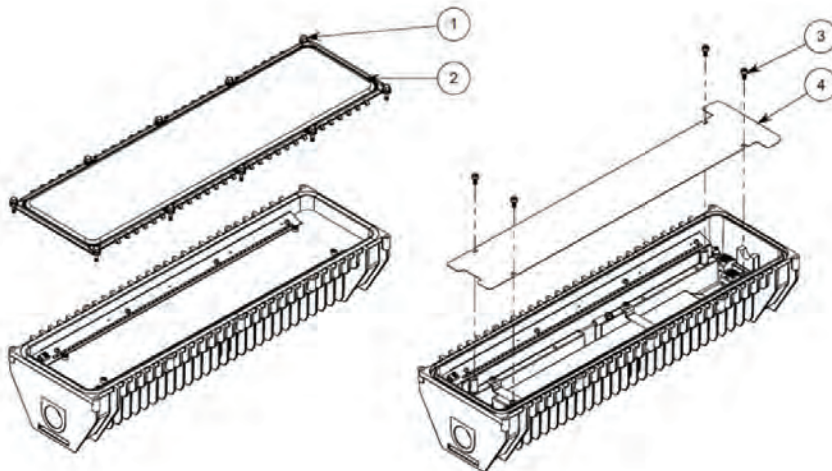
G) For strap mounting onto structural elements, install supplied straps through the slots at the ends of the luminaire and around mounting point. Feed open end through worm drive and tighten screw to secure luminaire.



P/N	QTY	DESCRIPTION
STS12	2	Stainless steel tube clamp, fits 9 3/8" to 12" tubing diameter
STS9	2	Stainless steel tube clamp, fits 7 1/8" to 9 3/4" tubing diameter
STS8	2	Stainless steel tube clamp, fits 5 5/8" to 8 1/4" tubing diameter
STS6	2	Stainless steel tube clamp, fits 4 1/8" to 6 3/4" tubing diameter
STS5	2	Stainless steel tube clamp, fits 3 5/8" to 6 1/4" tubing diameter
STS4	2	Stainless steel tube clamp, fits 3-5/16" to 4-1/4" tubing diameter
STS3	2	Stainless steel tube clamp, fits 2-9/16"- 3-1/4" tubing diameter

STEP 2. (Open luminaire for wiring)

Remove window, reflector and reposition NPT plugs if necessary.



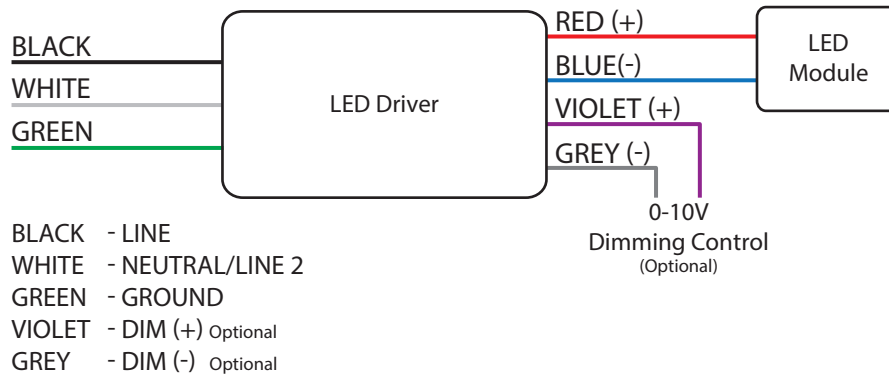
ITEM NO.	DESCRIPTION	QTY.
1	BL WINDOW	1
2	M4 LENS FASTENERS	10
3	M4 REFLECTOR FASTENERS	4
4	BLREFLECTOR	1

STEP 3.

Make wiring connections to luminaire housing using 3/4" NPT trade entries. Follow wiring method requirements of the Canadian Electrical Code or National Electrical Code for the specific hazardous location of the installation.

STEP 4.

Make branch circuit connections inside luminaire using the provided splice connectors.



STEP 5.

Make dimming connections if required using the provided wiring connectors. Ensure dimming control is certified and suitable for the classification of the area of installation. The driver will source a maximum of 165µA for 0-10V control. The dimming controller must sink current from the 0-10V control leads.

STEP 6.

Reinstall reflector and window. Tighten M4 fasteners to 1.7 N-m [15 in-lbs].