



### KEY FEATURES

- Hazardous location rated linear LED luminaire
- Two lumen output levels
- Suitable for high ambient temperature operation
- Multiple mounting options
- ¾" NPT entries on 3 sides
- Thru-wiring: multiple units can be daisy-chained on a single electrical circuit
- Vented and IP66 sealed enclosure for enhanced reliability
- Industrial grade housing designed to withstand vibration and impact
- Certified for use in Marine Locations (UL 1598A); marine-grade copper-free aluminum construction with stainless steel mounting hardware
- Triple layer corrosion protection: Chromate conversion coating, epoxy powder coat primer, super-durable polyester powder top-coat
- Glare reduction lens for enhanced visual comfort
- All sub-assemblies are field serviceable and replaceable

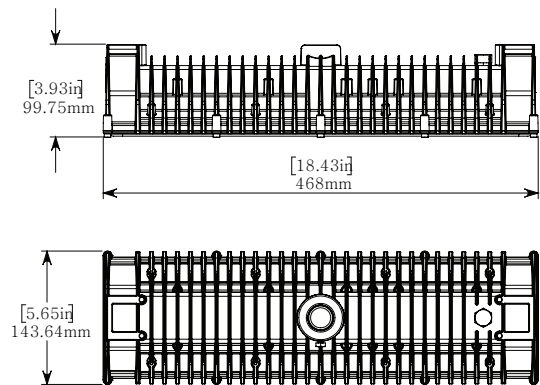


### TECHNICAL SPECIFICATIONS / MAXIMUM RATINGS

<b>HOUSING</b>	Die-cast Powder Coated Aluminum w/ Polycarbonate Lens
<b>MOUNTING</b>	SEE PAGE 2-4 FOR MOUNTING OPTIONS
<b>INPUT VOLTAGE</b>	AC: 120-277VAC (50/60 Hz)
<b>RATED POWER</b>	<b>BL20:</b> 17.5W   <b>BL40:</b> 34W
<b>TYPICAL CURRENT</b>	<b>BL20:</b> 120VAC, 0.14A   277VAC, 0.06A <b>BL40:</b> 120VAC, 0.28A   277VAC, 0.12A
<b>CONNECTIONS</b>	3 x ¾" NPT Daisy Chain Wiring
<b>TEMPERATURE RANGE</b>	-50°C to +65°C (Case ~30°C above ambient)
<b>CERTIFICATIONS</b>	Certified to UL844, UL 1598, UL 1598A & UL 8750; CSA 22.2 No. 250.0; CSA 22.2 No. 250.13; CSA 22.2 No. 137; Class I, Division 2, Groups ABCD, T4A; Class II, Division 2, Groups FG, T6; Class III; Class I, Zone 2, Groups IIC; Zone 22
<b>INGRESS PROTECTION</b>	IP66 Suitable for wet locations. Marine Outside type (Salt water).
<b>COLOUR TEMP RANGE</b>	<b>50:</b> 5000K   <b>Special Order:</b> 2700-6500K (CCT)
<b>CRI VALUE (MIN)</b>	<b>50:</b> 70
<b>EFFICACY (5000K)</b>	<b>BL20:</b> 145 lm/w   <b>BL40:</b> 131 lm/w (5000K CCT, 120VAC typical power)
<b>TOTAL LUMENS (5000K)</b>	<b>BL20:</b> 2540   <b>BL40:</b> 4475
<b>PROJECTED SYSTEM LIFE</b>	>100,000hrs
<b>WEIGHT</b>	2.9 kg (6.4 lbs)

\* The ambient temperature during lifetime, lumen and chromaticity determination is 25°C ± 1°C

### DIMENSIONS

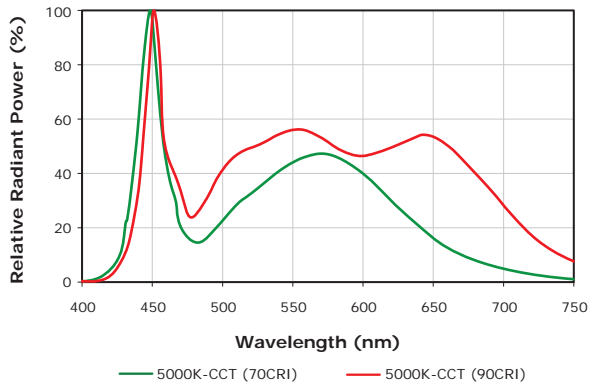


### WARRANTY

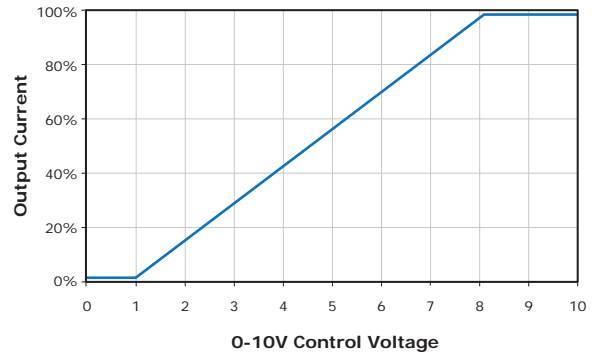
Five (5) year limited warranty to the original purchaser. The warranty covers defects in materials and workmanship under normal use and service.

For additional information see:  
<http://www.nemalux.com/company/warranty-policy/>

### PHOTOMETRICS



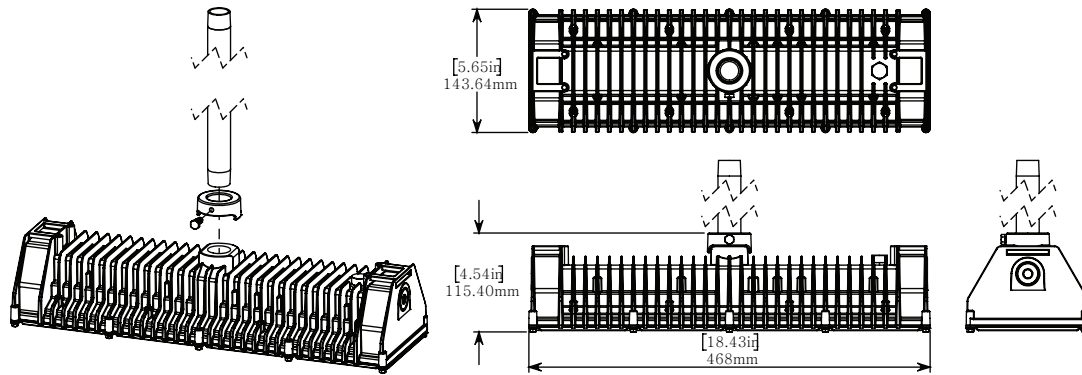
### DIMMING



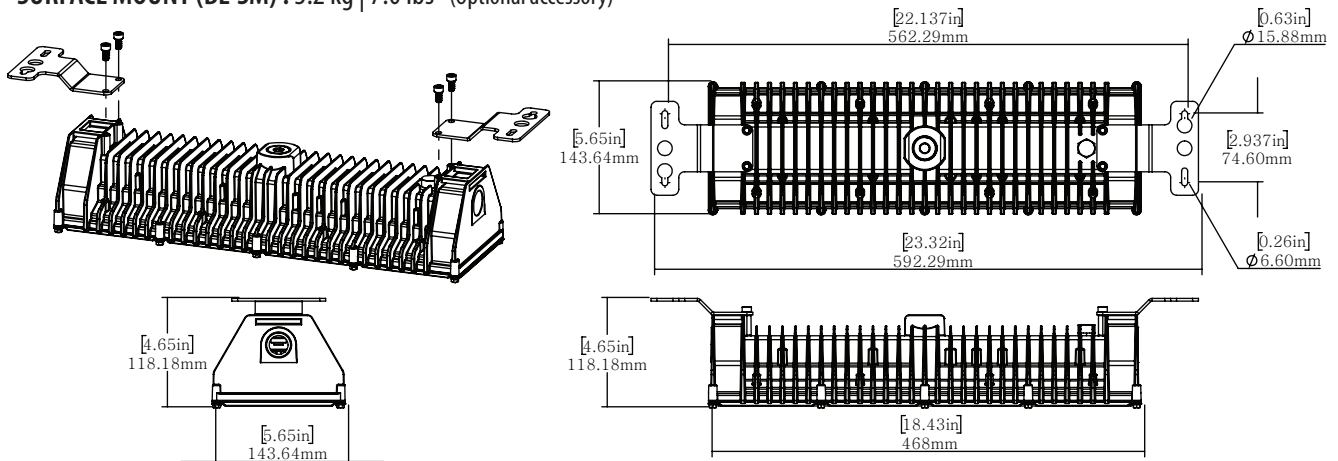
- Driver will source a maximum of 200uA for control needs
- Controller must sink current from the 0-10V control leads

### MOUNTING OPTIONS (All mounting accessories must be ordered separately)

**PENDANT/CONDUIT MOUNT (R-CC) : 3.0 kg | 6.6 lbs \*Not including conduit\***  
 (Direct connection of BL luminaire to hanging conduit)

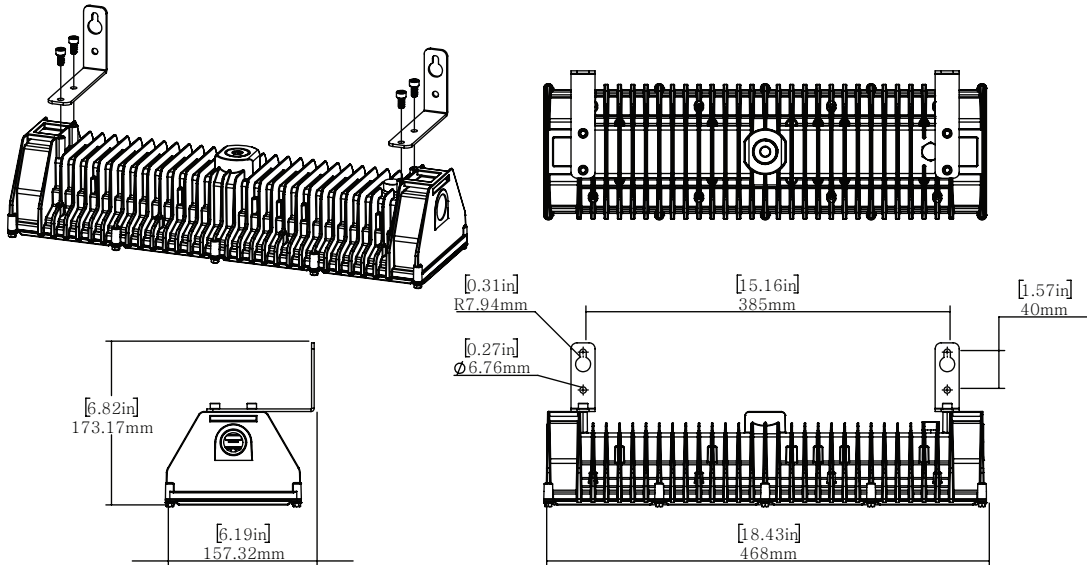


**SURFACE MOUNT (BL-SM) : 3.2 kg | 7.0 lbs (Optional accessory)**

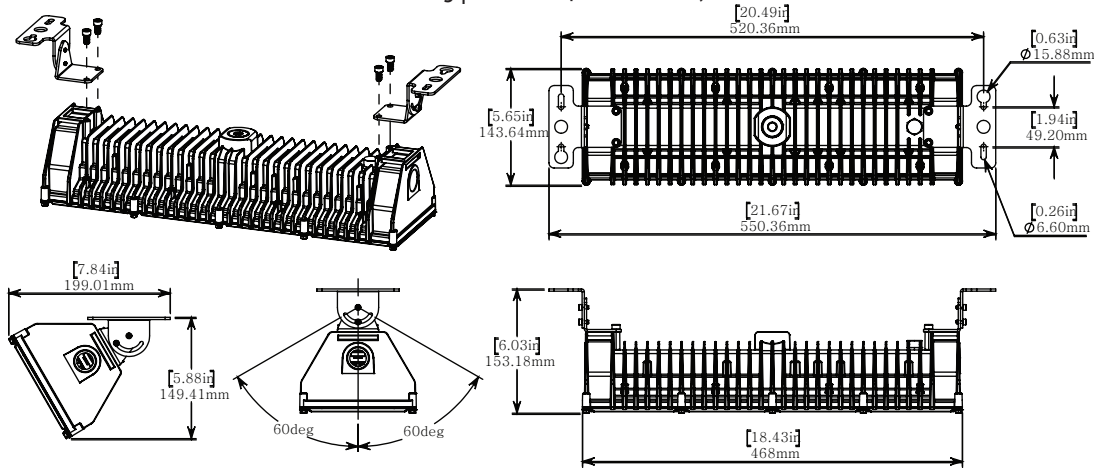


**MOUNTING OPTIONS (Cont.)**

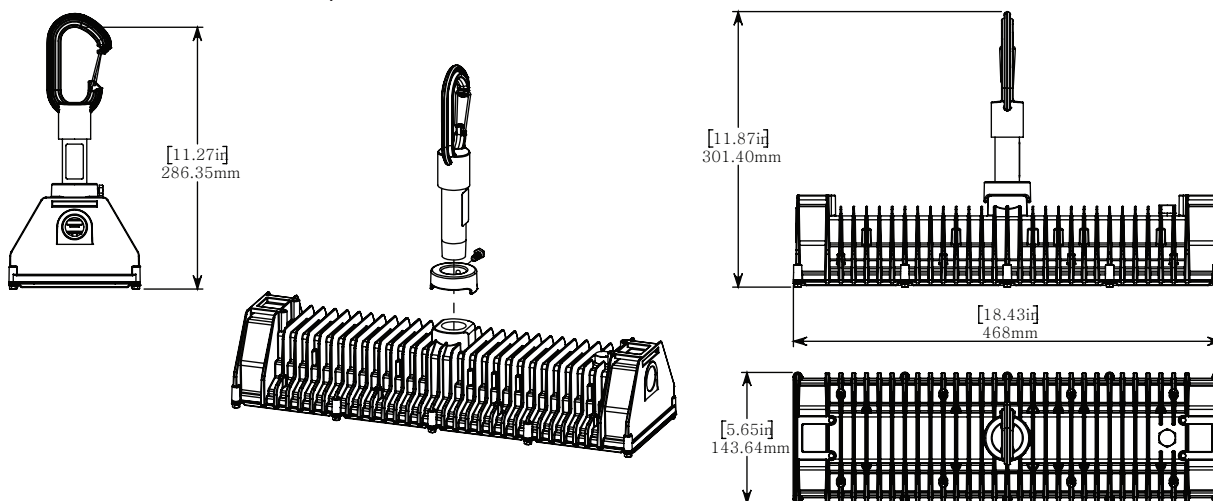
**WALL MOUNT (BL-WM) : 3.1 kg | 6.8 lbs (Optional accessory)**



**ADJUSTABLE YOKE MOUNT (BL-YM) : 3.3 kg | 7.2 lbs (Optional accessory)**

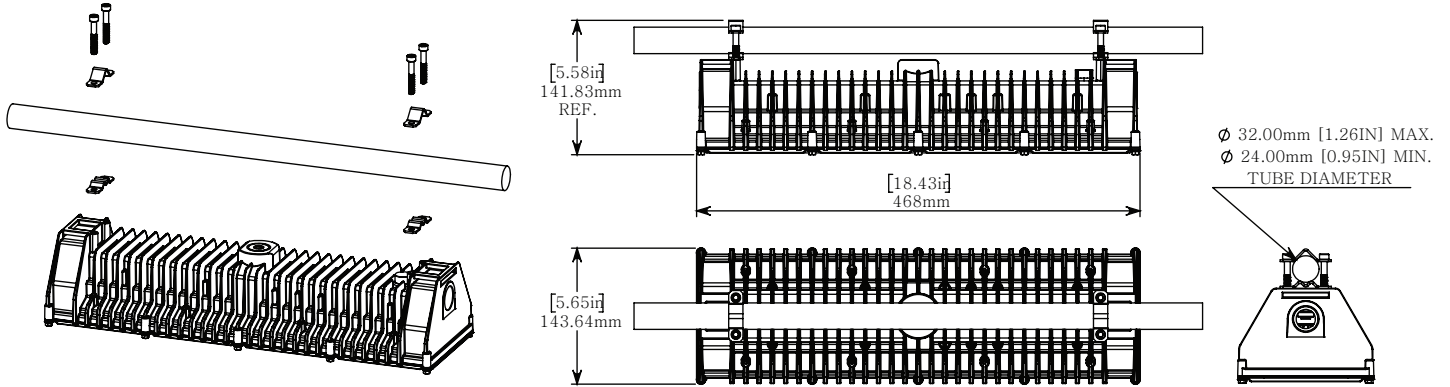


**HOOK MOUNT (BL-HK) : 3.2 kg | 7.0 lbs (Optional accessory)**

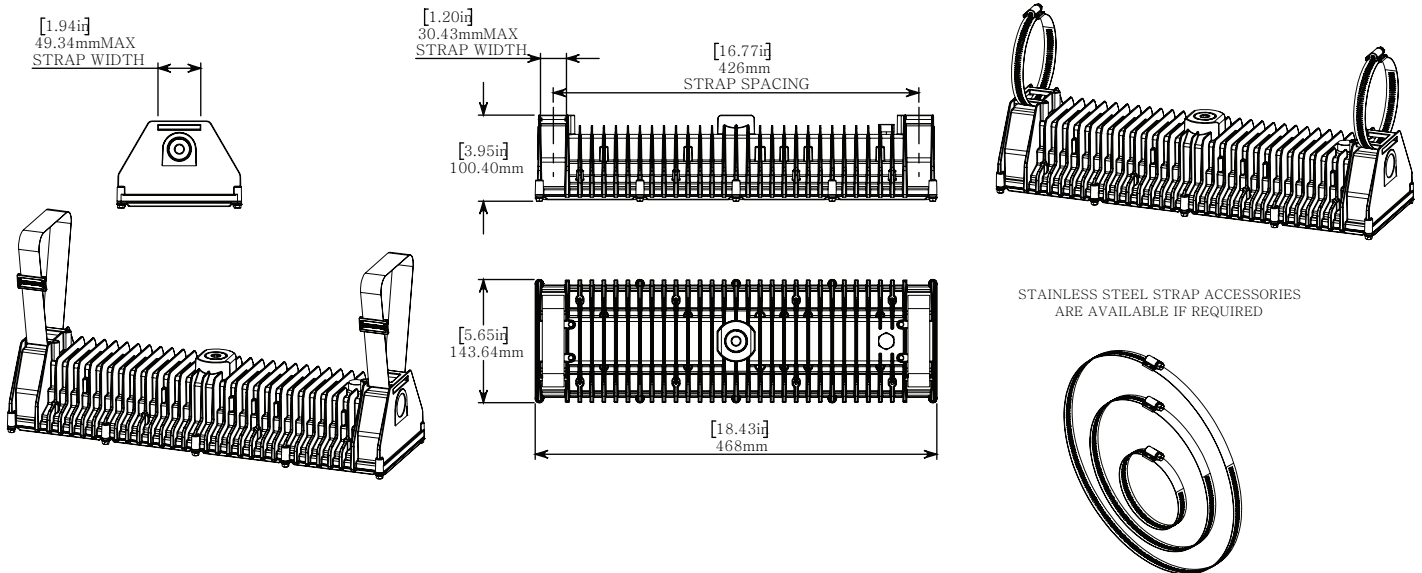


## MOUNTING OPTIONS (Cont.)

**TUBE CLAMP MOUNT (BL-TC) : 3.2 kg | 7.0 lbs (Optional accessory)**



**STRAP MOUNTING : 3.1 kg | 6.8 lbs (Optional accessory)**



P/N	QTY	DESCRIPTION
STS12	2	Stainless steel tube clamp, fits 9 3/8" to 12" tubing diameter
STS9	2	Stainless steel tube clamp, fits 7 1/8" to 9 3/4" tubing diameter
STS8	2	Stainless steel tube clamp, fits 5 5/8" to 8 1/4" tubing diameter
STS6	2	Stainless steel tube clamp, fits 4 1/8" to 6 3/4" tubing diameter
STS5	2	Stainless steel tube clamp, fits 3 5/8" to 6 1/4" tubing diameter
STS4	2	Stainless steel tube clamp, fits 3 5/16" to 4 1/4" tubing diameter
STS3	2	Stainless steel tube clamp, fits 2 9/16" to 3 1/4" tubing diameter

## ORDERING INFORMATION

PROJECT NAME		TYPE
PROJECT LOCATION		
COMMENT		DATE
PREPARED BY		

## MODEL SELECTOR

Sample Number: BL40-50-GY-HZ-AC

MODEL	COLOUR	FINISH	LOCATION	VOLTAGE	OPTIONS
-	-	-	-	-	-
<b>BL20</b> <b>BL40</b>	<b>50</b> - 5000K(70CRI)  Special Order: <b>27</b> - 2700K, 70CRI <sup>2</sup> <b>27H</b> - 2700K, 90CRI <sup>2</sup> <b>30</b> - 3000K, 70CRI <sup>2</sup> <b>30H</b> - 3000K, 90CRI <sup>2</sup> <b>40</b> - 4000K, 70CRI <sup>2</sup> <b>40H</b> - 4000K, 90CRI <sup>2</sup> <b>50H</b> - 5000K (90CRI) <b>57</b> - 5700K, 70CRI <sup>2</sup> <b>57H</b> - 5700K, 90CRI <sup>2</sup> <b>65</b> - 6500K, 70CRI <sup>2</sup> <b>65H</b> - 6500K, 90CRI <sup>2</sup>	<b>GY</b> - Grey  Custom finishes available. Please contact for details. <sup>2</sup>	<b>HZ</b> - Hazardous Location	<b>AC</b> - 120-277VAC	<b>GW</b> - Glass window in stainless frame

## ACCESSORIES (Order Separately)<sup>3</sup>

Sample Number: BL-SM-GY

ACCESSORY	
-	-
<b>R-CC</b> - Pendant/Conduit Mount <b>SM</b> - Surface Mount <sup>1</sup> <b>WM</b> - Wall Mount <sup>1,2</sup> <b>YM</b> - Adjustable Yoke Mount <sup>1,2</sup> <b>HK</b> - Hook Mount <b>TC</b> - Tube Clamp Mount <sup>1,2</sup> <b>STS##</b> - Stainless Steel Straps (See pg. 4) <sup>1</sup>	<b>GY</b> - Grey

### NOTES:

1. Stainless steel mounting accessories has no colour code standard i.e. BL-SM.
2. Minimum order quantities, additional costs and lead times may apply
3. Mounting hardware may be ordered with luminaire or as stand-alone hardware kits.