

### KEY FEATURES

- Available with 30° (narrow) or 100° (wide) symmetric optics
- Designed for Hazardous Locations
- Thermally managed for maximum longevity
- Adjustable mounting bracket
- Operation and environmental benefits of LED technology
- Robust construction suitable for outdoor applications

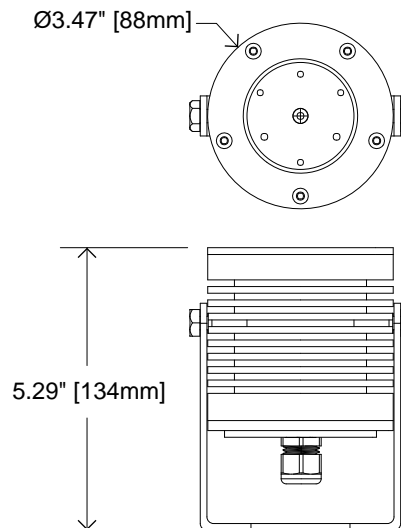


### TECHNICAL SPECIFICATIONS / MAXIMUM RATINGS

HOUSING	Anodized Aluminum
MOUNTING	Stainless Steel Yoke
VOLTAGE MAXIMUM	28 VDC
INPUT VOLTAGE	12-24 VDC
POWER (TYP)	7.9 W @ 12 VDC   8.4 W @ 24 VDC
CURRENT (TYP)	0.66 A @ 12 VDC   0.35 A @ 24 VDC
CONNECTIONS	1.8 m   6ft flying lead (Custom lengths available)
TEMPERATURE RANGE	-40°C to +55°C (Case ~15°C above ambient)
CERTIFICATIONS	Class I, Division 2, Groups ABCD, T3
INGRESS PROTECTION	IP66
COLOUR TEMP RANGE	<b>CW:</b> 5000K   Custom: 2700-6500K & Coloured LEDs
CRI VALUE (MIN)	<b>CW:</b> 75
TOTAL LUMENS	<b>CW-W:</b> 469   <b>CW-N:</b> 587
LUMEN MAINTENANCE	LM-80 > 60,500 hrs (Based on CREE long term testing)
WEIGHT	1.04 kg   2.3 lbs

\* The ambient temperature during lifetime, lumen and chromaticity determination is 25°C ± 1°C

### DIMENSIONS

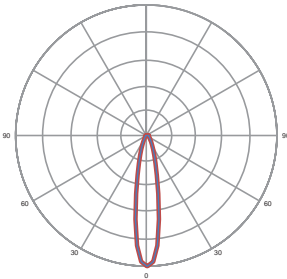


### WARRANTY

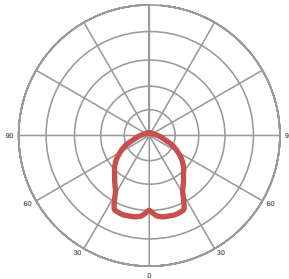
Five (5) year limited warranty to the original purchaser. The warranty covers defects in materials and workmanship under normal use and service.

For additional information see:  
<http://www.nemalux.com/company/warranty-policy/>

**OPTICS OPTIONS**



N - Narrow



W - Wide

**NARROW BEAM**



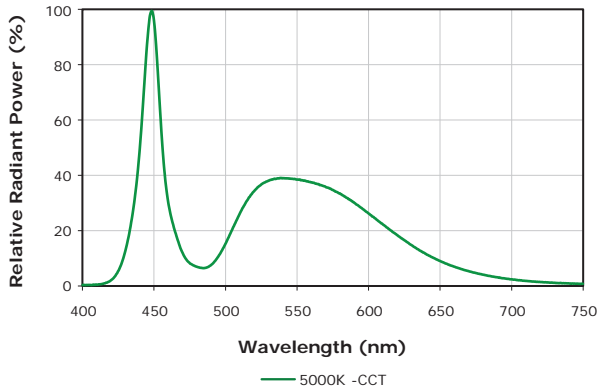
**WIDE BEAM**



**FROSTED LENS**

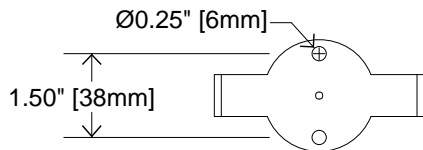


**PHOTOMETRICS**



**MOUNTING**

**MOUNTING BRACKET**



### ORDERING INFORMATION

PROJECT NAME		TYPE
PROJECT LOCATION		
COMMENT		DATE
PREPARED BY		

### MODEL SELECTOR

Sample Number: CANLED-CW-W-ALU-C1D2

MODEL	COLOUR	OPTIC	FINISH	LOCATION
CANLED -	CW -		ALU -	C1D2
	CW - Cool White  Custom colour temperatures and colours available. Please contact for details. <sup>1</sup>	N - Narrow W - Wide NF - Narrow Frosted WF - Wide Frosted	ALU - Clear Anodized  Custom finishes available. Please contact for details. <sup>1</sup>	C1D2 - Hazardous Locations

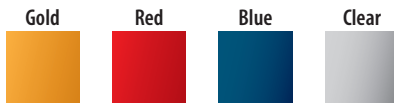
### CUSTOM OPTIONS

#### WIRING

Other wire lengths available in 30 cm (1 ft) increments.<sup>1</sup>

#### CUSTOM FINISHES<sup>1</sup>

Anodized Aluminum



Please contact for further options.

#### NOTES:

1. Additional costs and lead times may apply.