



## KEY FEATURES

- Designed to provide OSHA recommended illumination levels at a module spacing of 8' or less.
- IP66 and IP67 sealed design is fully dust-tight and withstands high pressure spray and temporary submersion
- Streamlined housing for quick install and teardown
- 360° light output provides up-light and down-light for improved visibility and situational awareness in enclosed spaces
- Versatile mounting options to address a variety of requirements for temporary lights stringers
- Replacement sub-assemblies are available for all parts of the system
- -50 to +70°C operating range
- Simple field replacement of damaged cable

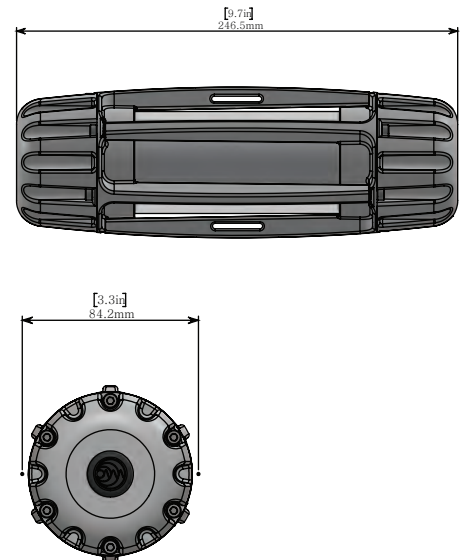


## TECHNICAL SPECIFICATIONS / MAXIMUM RATINGS

<b>HOUSING</b>	Copper-free Cast Aluminum & Borosilicate Glass
<b>INPUT VOLTAGE</b>	120VAC (50/60 Hz)
<b>RATED POWER</b>	19.5W per module
<b>TEMPERATURE RANGE</b>	-50°C to +70°C (Case ~15°C above ambient)
<b>CERTIFICATIONS</b>	Certified to UL 844, UL 1088, CAN/ULC-S1088, UL 1598, UL 1598A; CSA 22.2 No. 137; Class I, Division 2, Groups ABCD, T5; Class II, Division 1, Groups EFG, T5; Class III; Class I, Zone 2, Groups IIC; Class I, Zone 20, Groups IIIC
<b>INGRESS PROTECTION</b>	IP66/67 Suitable for wet locations. Marine Outside type (Salt water).
<b>COLOUR TEMP RANGE</b>	5000K   Special Order: 2700-6500K
<b>CRI VALUE (MIN)</b>	80+
<b>TOTAL LUMENS</b>	1550 lumens per module
<b>LUMEN MAINTENANCE</b>	LM-80 > 72,000 hrs (Based on CREE long term testing)
<b>WEIGHT</b>	1.2 kg (2.6 lbs) per module 1.6 kg (3.5 lbs) including 10ft of cord

\* The ambient temperature during lifetime, lumen and chromaticity determination is 25°C ± 1°C

## DIMENSIONS



## WARRANTY

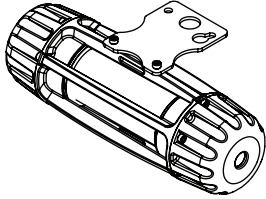
Five (5) year limited warranty to the original purchaser. The warranty covers defects in materials and workmanship under normal use and service.

For additional information see:

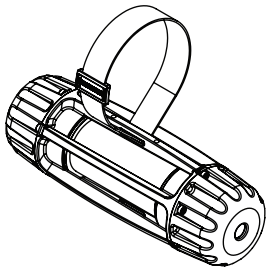
<http://www.nemalux.com/company/warranty-policy/>

**MOUNTING OPTIONS**

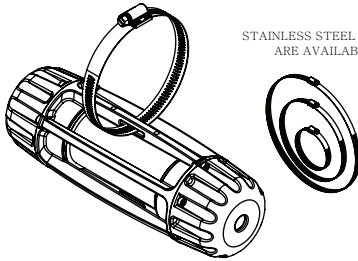
**SURFACE MOUNT (LS-SM):**



**STRAP MOUNT (LS-ST):**



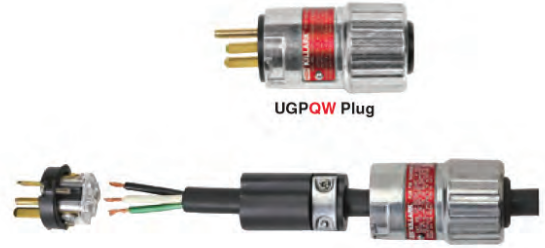
**STAINLESS STEEL CLAMP MOUNT:**



STAINLESS STEEL STRAP ACCESSORIES  
ARE AVAILABLE IF REQUIRED

**CONNECTOR OPTIONS**

**UGP51 - Killark UGP-15231QW Hazardous Location Plug:**



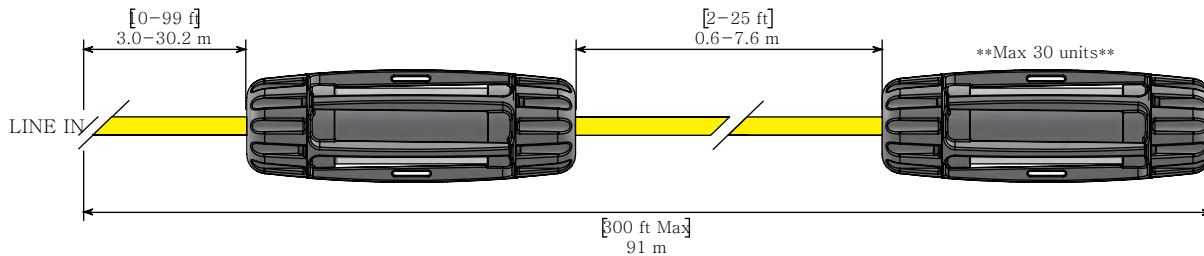
**515W - Waterproof Nema 5-15 Plug (515W):**



**L515W - Waterproof Nema L5-15 Locking Plug:**



**SPACING DIAGRAM:**



## ORDERING INFORMATION

PROJECT NAME		TYPE
PROJECT LOCATION		
COMMENT		DATE
PREPARED BY		

## MODEL SELECTOR

Sample Number: LS-10-05-50-25-515W

MODEL	SPACING	MODULES	COLOUR	INPUT CORD	CONNECTOR (Opt)
LS -	-	-	-		
	<b>XX</b> - xx ft <sup>5</sup>  Length of cord between units, any length between 2-25 ft. Max stringer length is 300 ft, including input cord.	<b>XX</b> - Number of modules on stringer  Choose from 2 to 30 modules.	<b>30</b> - 3000K <b>50</b> - 5000K  Special Order: 2700-6500K <sup>1</sup>	<b>XX</b> - xx ft  Length of cord before first unit. Any length between 10-99 ft.	<b>UGP51</b> - Killark UGP-15231QW Hazardous Location Plug <b>515W</b> - Waterproof Nema 5-15 Plug <sup>2,3</sup> <b>L515W</b> - Waterproof Nema L5-15 Locking Plug <sup>2,3</sup>  Alternate connector options are available to meet site specific requirements for ordinary and hazardous location environments. Contact your sales representative for more information or a cross reference chart.

## ACCESSORIES (Order Separately)

Sample Number: LS-ST

ACCESSORY
<b>LS-ST</b> - 4 ft mounting strap w/ metal cam-buckle, 1" polyester or polypropylene webbing, high-visibility orange.
<b>LS-SM</b> - Surface Mounting Accessory
<b>STS2</b> - Stainless steel mounting strap. Fits tubing 1-13/16 to 2-1/2" diameter.
<b>STS3</b> - Stainless steel mounting strap. Fits tubing 2-9/16 to 3-1/4" diameter.
<b>STS4</b> - Stainless steel mounting strap. Fits tubing 3-5/16 to 4-1/4" diameter.
<b>STS5</b> - Stainless steel mounting strap. Fits tubing 3-5/8 to 6-1/4" diameter.
<b>STS6</b> - Stainless steel mounting strap. Fits tubing 4-1/8 to 6-3/4" diameter.
<b>STS8</b> - Stainless steel mounting strap. Fits tubing 5-5/8 to 8-1/4" diameter.
<b>STS9</b> - Stainless steel mounting strap. Fits tubing 7-1/8 to 9-3/4" diameter.
<b>STS12</b> - Stainless steel mounting strap. Fits tubing 9-3/8 to 12" diameter.

### NOTES:

1. Minimum order quantities, additional costs and lead times may apply.
2. Connections using ordinary location plugs must be made outside of any hazardous classified areas.
3. Compatible with Leviton, Woodhead, Hubbell, Cooper, Ericson, and P&S waterproof receptacles.
4. Factory assembled (Just-in-time manufacturing) strings:
  - 2 to 30 units on a single string with spacing intervals of 2 ft to 25 ft
  - Standard flying lead
  - May be supplied with choice of Listed connectors suitable for classification of area of use
5. Module spacing must be 8ft or less to meet OSHA light level requirements of 5fc illuminance, for a 9ft mounting height, in an 18ft wide space, with ceiling, wall, and floor reflectance values of 70%, 50%, and 20% respectively.