

### KEY FEATURES

- Designed for Hazardous Locations
- Available with multiple distribution patterns
- Thermally managed for maximum longevity
- -40 to +55°C operating range
- Triple layer powder coating to weather extreme environments
- Vented enclosure ensures long-term reliability
- 0-10V Dimming 1%-100%
- Extreme vibration resistance
- Versatile mounting: surface, suspension, wallpack, hook, pole, yoke, and direct conduit mounting
- Approved for through-wiring of multiple units on a single circuit
- UL marine approval, outside type (saltwater)

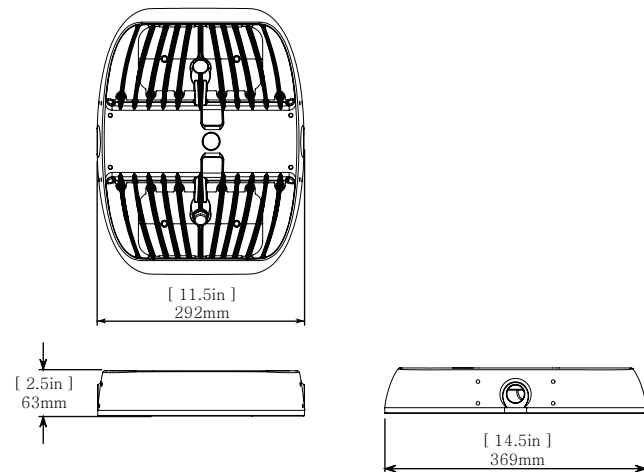


### TECHNICAL SPECIFICATIONS / MAXIMUM RATINGS

HOUSING	Die-cast Aluminium with Polycarbonate Lens
MOUNTING	SEE PAGE 3 FOR MOUNTING OPTIONS
INPUT VOLTAGE	AC: 120-277VAC (50/60 Hz) HV: 347VAC±10%VAC (50/60 Hz)
POWER (TYP)	MR3: 29 W   MR6: 58 W
CURRENT (TYP)	MR3: AC - 0.25A@120 VAC   HV - 0.10A@347 VAC MR6: AC - 0.50A@120 VAC   HV - 0.20A@347 VAC
CONNECTIONS	3/4" NPT
TEMPERATURE RANGE	-40°C to +55°C (Case ~20°C above ambient)
CERTIFICATIONS	Certified to UL 844, UL 1598, UL 1598A & UL 8750; CSA C22.2 No. 137, CSA C22.2 No. 250.0 & CSA C22.2 No. 250.13; Class I, Division 2, Groups ABCD, T4; Class II, Division 2, Groups FG, T4A; Class III; Class I, Zone 2, Groups IIC; Zone 22
INGRESS PROTECTION	IP66/67   Suitable for wet locations
COLOUR TEMP RANGE	50: 5000K   <b>Special Order:</b> 2700-6500K SEE PAGE 4 FOR DETAILS
CRI VALUE (MIN)	50: 70
TOTAL LUMENS	SEE PAGE 2 FOR DETAILS
LUMEN MAINTENANCE	LM-80 > 60,000 hrs
WEIGHT	4.6 kg   10.4 lbs

\* The ambient temperature during lifetime, lumen and chromaticity determination is 25°C ± 1°C

### DIMENSIONS

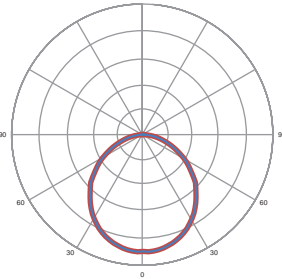


### WARRANTY

Five (5) year limited warranty to the original purchaser. The warranty covers defects in materials and workmanship under normal use and service.

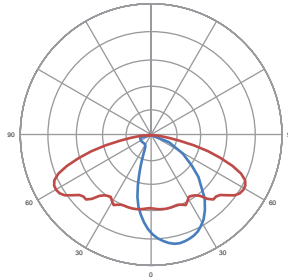
For additional information see:  
<http://www.nemalux.com/company/warranty-policy/>

### OPTIC OPTIONS



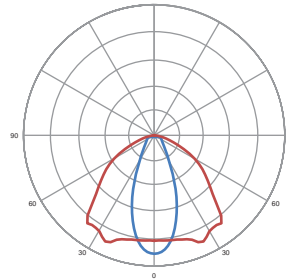
**WF - Wide Beam (No Optic)**

LUMEN OUTPUT (50)	
MR3	3393
MR6	6283



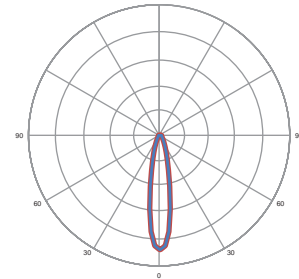
**T2F - IESNA Type 2**

LUMEN OUTPUT (50)	
MR3	2980
MR6	5520



**OF - Oval 26° x 108°**

LUMEN OUTPUT (50)	
MR3	3290
MR6	6090

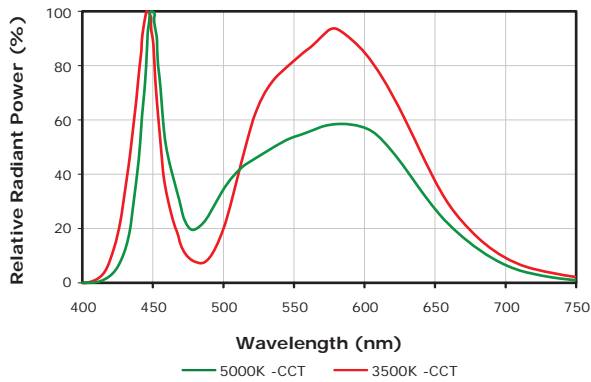


**SF - Spot 18°**

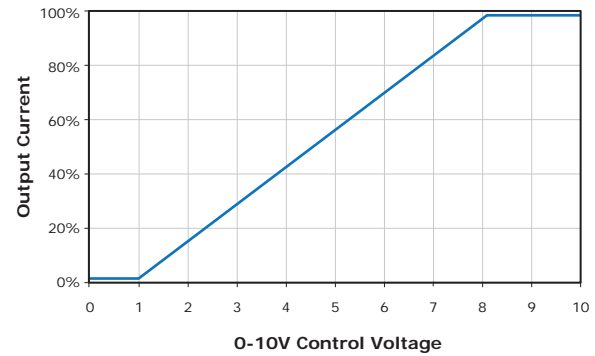
LUMEN OUTPUT (50)	
MR3	3380
MR6	6265

*Note: Standard offering above, 13 alternate optical profiles available upon request. Contact Nemalux Sales representative for further details. Minimum order quantities, additional costs and lead times may incur.*

### PHOTOMETRICS



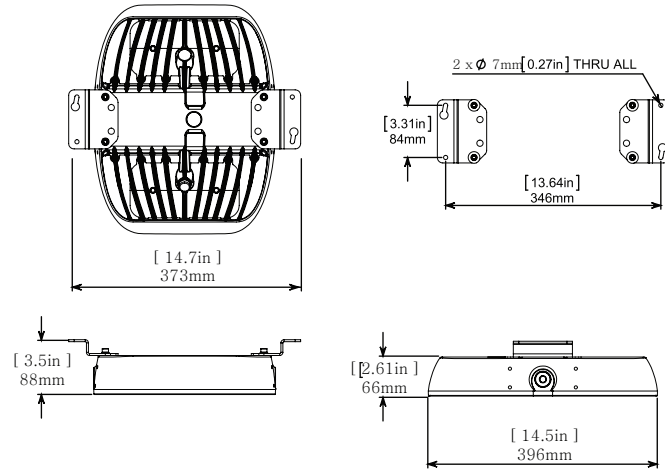
### DIMMING



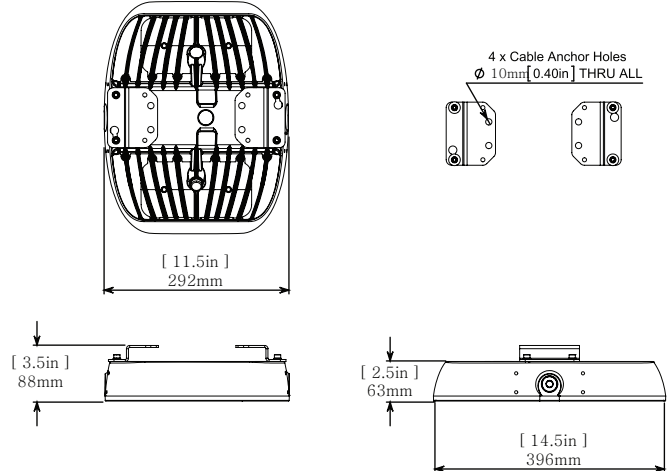
- Driver will source a maximum of 200uA for control needs
- Controller must sink current from the 0-10V control leads

**MOUNTING OPTIONS (Order Separately)**

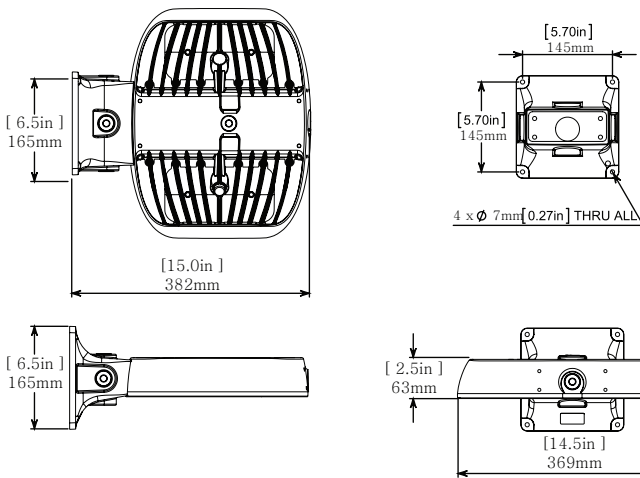
**SURFACE MOUNT : 5.3 kg | 11.7 lbs**



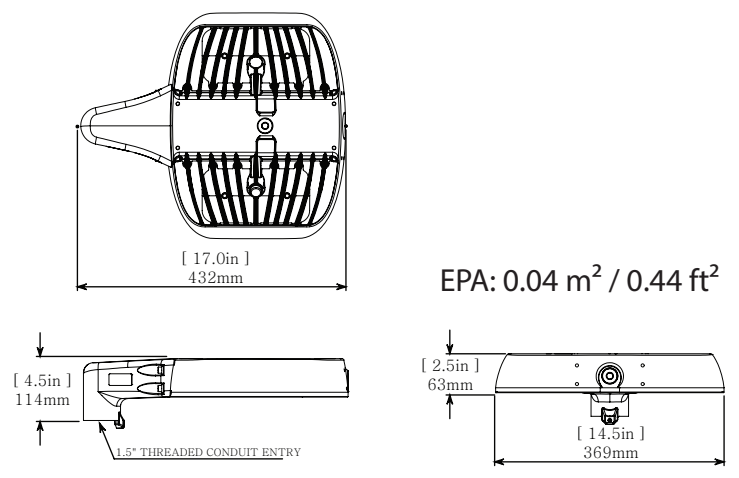
**SUSPENDED MOUNT : 5.3 kg | 11.7 lbs**



**WALL PACK MOUNT (MR-WM) : 6.8 kg | 15.0 lbs**

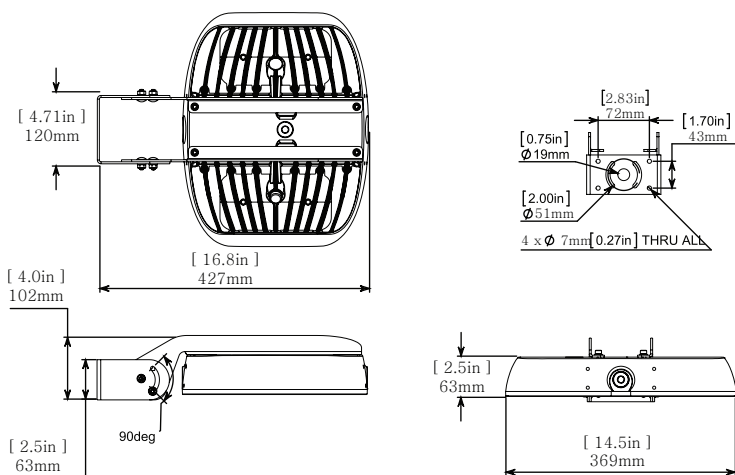


**POLE MOUNT (MR-PM) : 5.64 kg | 12.4 lbs**

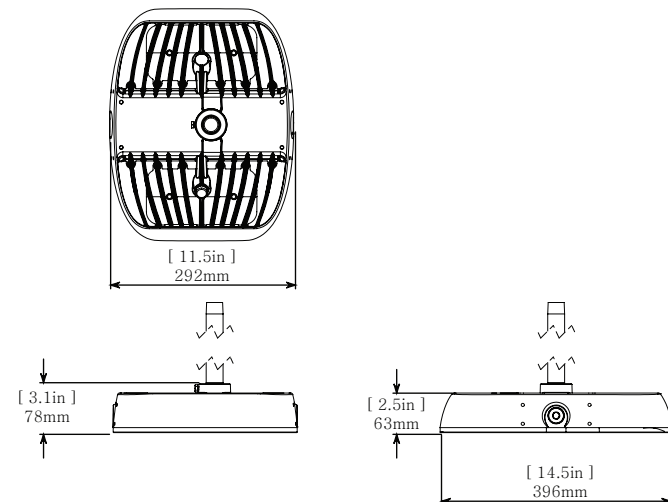


EPA: 0.04 m<sup>2</sup> / 0.44 ft<sup>2</sup>

**YOKE MOUNT (MR-YM) : 6.3kg | 13.9lbs**

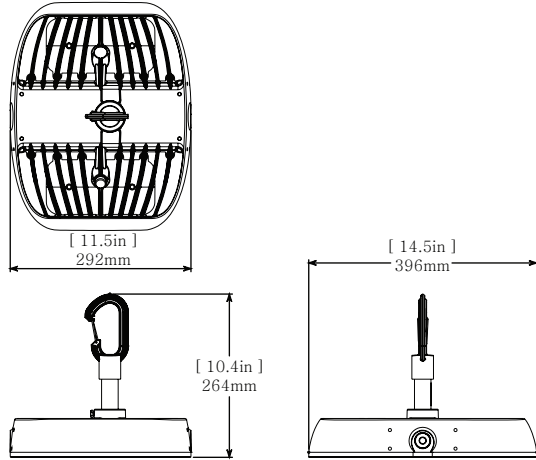


**CONDUIT CONNECTION (MR-CC) : 5.3 kg | 11.7 lbs**

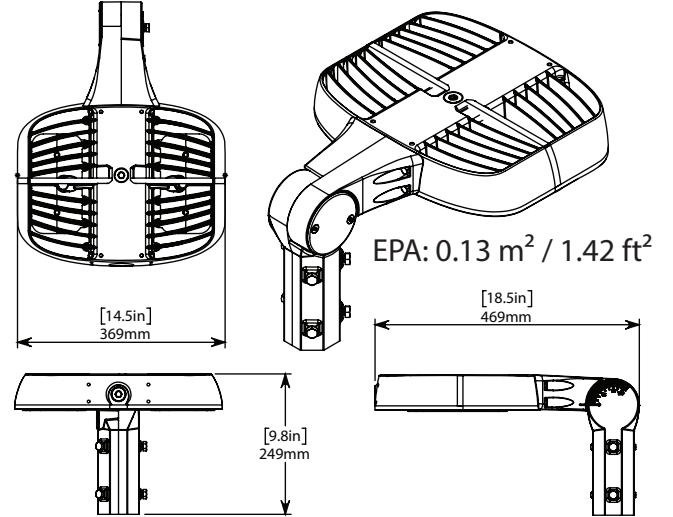


**MOUNTING OPTIONS (Order Separately)**

**HOOK PENDANT MOUNT (MR-HK) : 4.9 kg | 10.8 lbs**

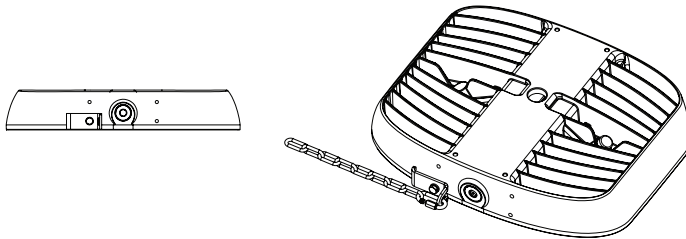


**SLIP FITTER YOKE MOUNT (MR-SFY) : 6.55 kg | 14.7 lbs**



Stepped to accept either 1.5" Trade size (1-13/16" [46mm] to 2" [50mm] OD) & 2" Trade size (2-1/8" [53mm] to 2-7/16" [63mm])

**SECONDARY SAFETY (MR-SK-##)**



### ORDERING INFORMATION

PROJECT NAME		TYPE
PROJECT LOCATION		
COMMENT		DATE
PREPARED BY		

### MODEL SELECTOR

Sample Number: MR6-CW-WF-GY-HZ-AC

MODEL	COLOUR	OPTIC	FINISH	LOCATION	POWER
-	CW	-	GY	HZ	-
<b>MR3</b> <b>MR6</b>	CW - 5000K  Special Order: 27 - 2700K <sup>1,3</sup> 30 - 3000K <sup>1,3</sup> 35 - 3500K <sup>1</sup> 40 - 4000K <sup>1</sup> 45 - 4500K <sup>1</sup> 57 - 5700K <sup>1</sup> 65 - 6500K <sup>1</sup>	<b>WF</b> - Wide Beam (No optics) <b>T2F</b> - IESNA Type 2 <b>OF</b> - Oval 26° x 108° <b>SF</b> - Spot 18°  Special Order: <b>T1F</b> - IESNA Type 1 <sup>1</sup> <b>T3F</b> - IESNA Type 3 <sup>1</sup> <b>T4F</b> - IESNA Type 4 <sup>1</sup> <b>TSF</b> - IESNA Type 5 <sup>1</sup> <b>TF</b> - Tight 32° <sup>1</sup> <b>MF</b> - Medium 50° <sup>1</sup> <b>PXF</b> - Asymmetric 20° x 80° w/ 45° forward kick <sup>1</sup> <b>FNF</b> - Asymmetric 90° x 22° w/ 45° forward kick <sup>1</sup> <b>2WF</b> - Asymmetric 135° x 55° w/ 25° forward kick <sup>1</sup> <b>3WF</b> - Asymmetric 155° x 55° w/ 30° forward kick <sup>1</sup> <b>W1F</b> - Asymmetric 150° x 52° w/ 30° forward kick <sup>1</sup> <b>DNF</b> - Asymmetric 105° x 55° w/ 25° forward kick <sup>1</sup> <b>XWF</b> - Asymmetric 135° x 170° w/ 75° forward kick <sup>1</sup>	<b>GY</b> - Grey  Custom finishes available. Please contact for details. <sup>1</sup>	<b>HZ</b> - Hazardous Locations	<b>AC</b> - 120-277VAC <b>HV</b> - 347VAC

### ACCESSORIES (Order Separately)

Sample Number: MR-WM-GY-HZ

ACCESSORY	FINISH	HAZARDOUS LOCATION
-		- HZ
<b>MR-SM</b> - Surface Mount <b>MR-WM</b> - Wall Mount <sup>2</sup> <b>MR-PM</b> - Pole Mount <sup>3</sup> <b>MR-HK</b> - Hook Pendant Mount <b>MR-CC</b> - Conduit Connection <sup>3</sup> <b>MR-YM</b> - Yoke Mount <sup>2</sup> <b>MR-SFY</b> - Slip Fitter Yoke Mount <sup>2</sup> <b>MR-SK-##</b> - Secondary Safety <sup>2,4</sup>	<b>GY</b> - Grey  Custom finishes available. Please contact for details. <sup>1</sup>	<b>HZ</b> - Hazardous Location

#### NOTES:

1. Minimum order quantities, additional costs and lead times may apply.
2. Surface mount & Yoke mount only available in stainless steel finish.
3. IDA Fixture Seal of Approval only applies to fixtures with a CCT of 3000K or less, and have fixed mounts aiming the fixture perpendicular to the ground.
4. ## represents the safety chain length in feet (i.e. 05=5', 10=10').  
 Secondary Safety Kit contains bracket, stainless steel chain (1/8 trade size), and two stainless steel oval threaded connecting links