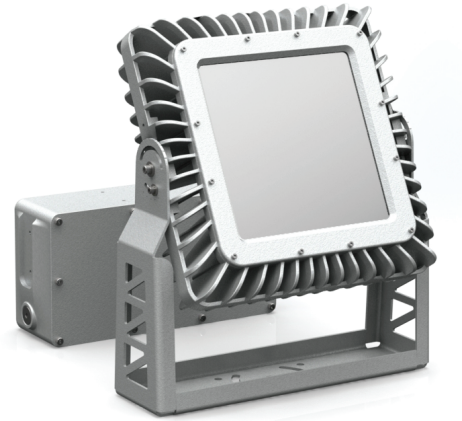


KEY FEATURES

- Available with Wide (125°) optics
- Fully encapsulated light engine cavity
- Thermally managed for maximum longevity
- Efficiency up to 115 lm/W
- 0-10V Dimming 1%-100%
- Extreme vibration resistance
- Impact Resistance in excess of IK08 standard
- Remote power supply up to 300ft
- IP68 rated light engine for use up to 3.5 meters depth



TECHNICAL SPECIFICATIONS / MAXIMUM RATINGS

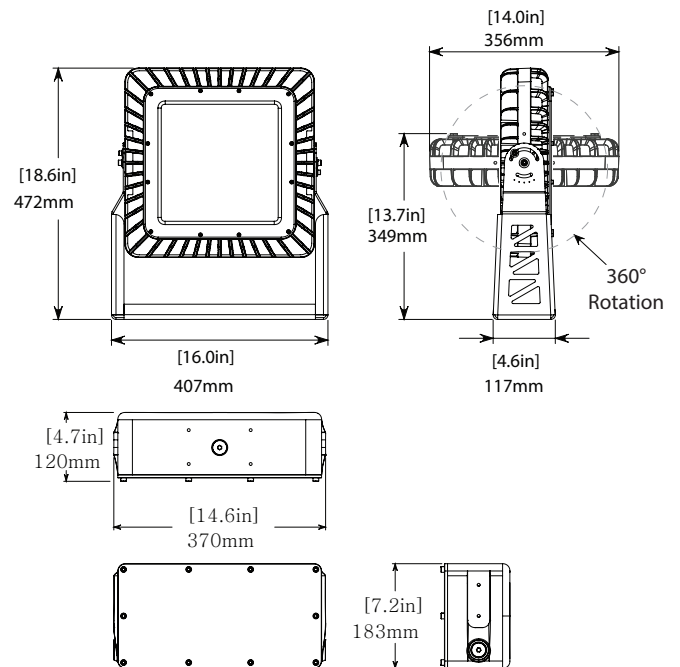
HOUSING	Die-cast & Machined Aluminium
MOUNTING	SEE PAGE 3 FOR DETAILS
VOLTAGE MAXIMUM	AC: 277VAC HV: 480VAC
INPUT VOLTAGE	AC: 120-277VAC HC: 347-480VAC
POWER (TYP)	SEE PAGE 2 FOR DETAILS
CURRENT (TYP)	SEE PAGE 2 FOR DETAILS
CONNECTIONS	4 x 3/4" NPT
TEMPERATURE RANGE	-40°C* to +40°C
CERTIFICATIONS	Special inspected as per Canadian Electrical Code to CSA SPE-1000 standards IP68 (In-house tested and rated)
INGRESS PROTECTION	CW: 5000K Custom: 2700-6500K
COLOUR TEMP RANGE	70
CRI VALUE (MIN)	SEE PAGE 2 FOR DETAILS
TOTAL LUMENS	LM-80 > 100,000 hrs (Based on CREE long
LUMEN MAINTENANCE	term testing)
WEIGHT	Head: 11.1kg (24.5 lbs) Power Supply Box: 7.0kg (15.5lbs)

* RS Head not to be frozen underwater

** The ambient temperature during lifetime, lumen and chromaticity determination is 25°C ± 1°C

*** RS Power Supply Box is rated to IP66 ingress protection. Power supply box must not be submerged.

DIMENSIONS



WARRANTY

Five (5) year limited warranty to the original purchaser. The warranty covers defects in materials and workmanship under normal use and service.

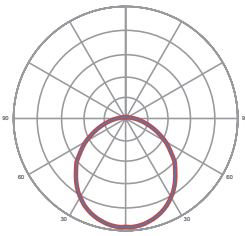
For additional information see:

<https://nemalux.com/education/company-policies/#warranty>

POWER - CURRENT SPECIFICATIONS

MODEL	INPUT	RATED POWER [Watts]	POWER (TYP) [Watts]	CURRENT (TYP) [Amps @120VAC]	CURRENT (TYP) [Amps @277VAC]	CURRENT (TYP) [Amps @347 VAC]	CURRENT (TYP) [Amps @480 VAC]
RS10	AC	107	104	0.86	0.38	--	--
	HC	107	104	--	--	0.30	0.22
RS15	AC	140	136	1.13	0.49	--	--
	HC	140	136	--	--	0.39	0.28
RS20	AC	181	176	1.46	0.63	--	--
	HC	181	176	--	--	0.51	0.37
RS25	AC	230	223	1.86	0.81	--	--
	HC	230	223	--	--	0.64	0.46
RS30	AC	290	281	2.40	1.02	--	--
	HC	290	281	--	--	0.81	0.59

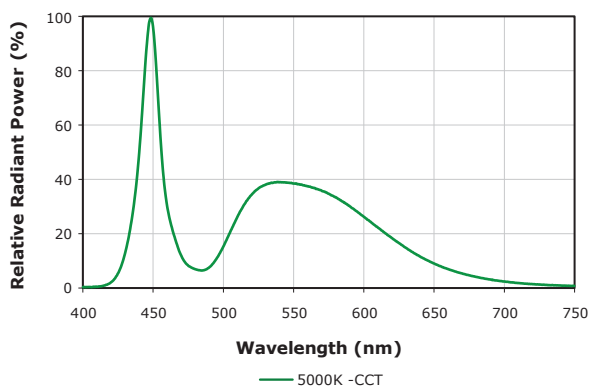
OPTIC OPTIONS



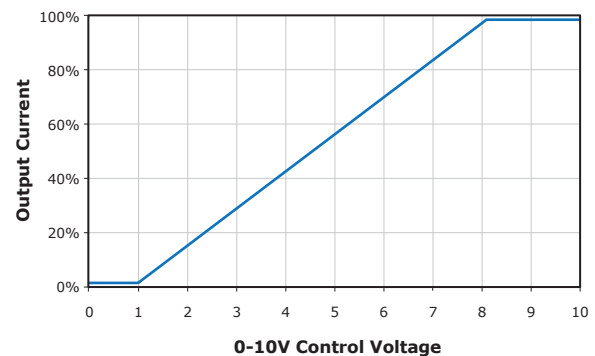
WC - WIDE BEAM (NO OPTICS)

LUMENS	
RS10	12668
RS15	15790
RS20	18560
RS25	24360
RS30	28560

PHOTOMETRICS



DIMMING



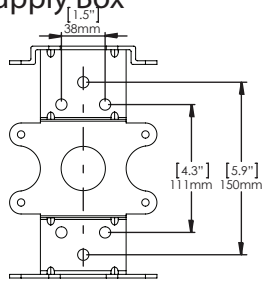
- Driver will source a maximum of 200uA for control needs
- Controller must sink current from the 0-10V control leads

MOUNTING BRACKET DETAILS

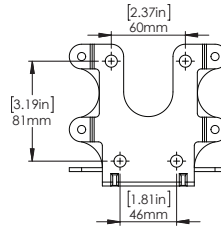
WALL MOUNT : Power Supply Box



Wall Mount Bracket
(Included Standard)



Wall Mount mounting
Dimensions

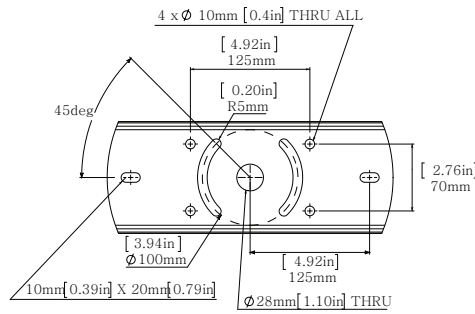


Surface Mounting
Dimensions

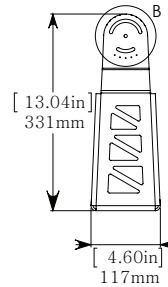
REMOTE MOUNT: Encapsulated Head



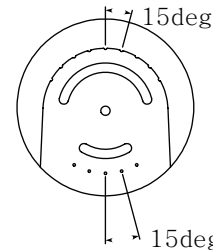
Stainless Steel
Yoke Mount Bracket
(Included Standard)



Multiple Mounting Hole Options



DETAIL B Angle Markings



Standard Yoke permits full 360° rotation of RSLED Head.

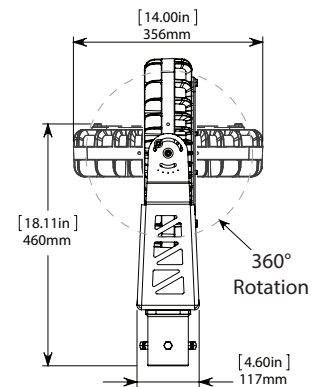
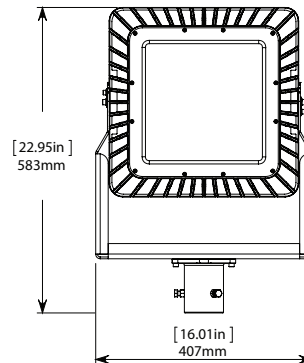
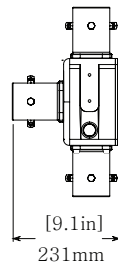
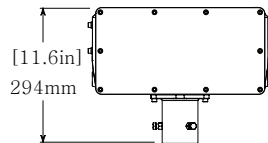
Yoke incorporated 15° markings to make batch setup quick and simple.

ACCESSORIES

POLE MOUNT Part # RS-PM



2-3/8"
Standard Tenon



ORDERING INFORMATION

PROJECT NAME		TYPE	
PROJECT LOCATION			
COMMENT		DATE	
PREPARED BY			

MODEL SELECTOR

Sample Number: RS-SUB-10-CW-WF-GY-GN-01-AC

MODEL	COLOUR	OPTIC	FINISH	LOCATION	CABLE LENGTH	VOLTAGE
-	-	-	GY	GN	-	-
RS-SUB-10 RS-SUB-15 RS-SUB-20 RS-SUB-25 RS-SUB-30	CW- 5000K Custom: WW- 3000K 27 - 2700K 35 - 3500K 40 - 4000K 45 - 4500K 55 - 5500K 65 - 6500K High CRI options available. Please contact for details.	WC- Wide Beam (No opt)	GY - Grey Custom finishes available. Please contact for details. ¹	GN- General Location	10' units of cable Range 01-30 i.e. 01 = 10' 12 = 120'	AC- 120/277VAC HV- 347-480VAC

NOTES:

1. Minimum order quantities, additional costs and lead times may incur.