

KEY FEATURES

- Built in DMX driver
- Available in a wide range of optical profiles including 15° spot, 13° x 43° oval, medium, and flood
- Easy 180° angle adjustment
- Lifespan up to 100,000 hours
- Available in multiple lengths and a variety of LED colours
- Installable end to end
- Vented enclosure for increased reliability
- Available in RGB and RGBW units for full colour accent and theatrical lighting
- Available in three and four-white versions for color-temperature tunable lighting for theatrical lighting or to match the natural circadian rhythm for increased comfort, alertness, and optimized sleep cycles
- Fully Sealed enclosure, IP66 rated quick connects for power and end-to-end wiring

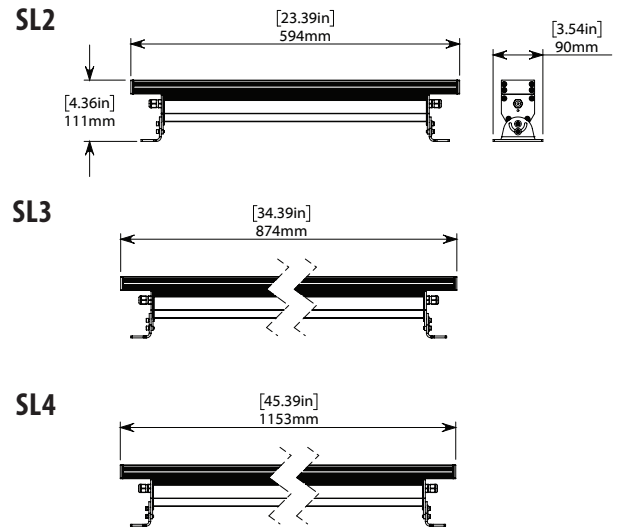


TECHNICAL SPECIFICATIONS / MAXIMUM RATINGS

HOUSING	Aluminum with Polycarbonate Lens
MOUNTING	Adjustable Mounting Brackets
INPUT VOLTAGE	120-277VAC (50/60Hz)
POWER (TYP)	SEE PAGE 2 FOR DETAILS
CURRENT (TYP)	SEE PAGE 2 FOR DETAILS
CONNECTIONS	3.05m (10ft) flying lead (6.1m (20ft) lengths available upon request)
TEMPERATURE RANGE	SEE PAGE 2 FOR DETAILS
CERTIFICATIONS	Conforms to UL 1598; CSA 22.2 No. 250.0
INGRESS PROTECTION	IP66
COLOUR TEMP RANGE	SEE PAGE 2 FOR DETAILS
CRI VALUE (MIN)	70
TOTAL LUMENS	SEE PAGE 2 FOR DETAILS
LUMEN MAINTENANCE	LM-80 > 100,000 hrs (Based on CREE long term testing)
WEIGHT	SL2: 1.9kg (4.2lb) SL3: 2.4kg (5.3lb) SL4: 3.0kg (6.6lb)

* The ambient temperature during lifetime, lumen and chromaticity determination is 25°C ± 1°C

DIMENSIONS



WARRANTY

Five (5) year limited warranty to the original purchaser. The warranty covers defects in materials and workmanship under normal use and service.

For additional information see:
<http://www.nemalux.com/company/warranty-policy/>

ELECTRICAL RATINGS

3 CHANNELS:

MODEL	CURRENT SETPOINT (Per channel)	TYPICAL LUMENS (Per white channel)	AMBIENT TEMP (3 channels at 100%)	INPUT POWER (TYP) (3 channels at 100%)	INPUT CURRENT (TYP) (Amperes at 120VAC) (3 channels at 100%)
SL2	700mA	1250	-20 to 40°C	79W	0.66A
SL3	700mA	1250	-20 to 40°C	79W	0.66A
SL4	700mA	1475	-20 to 60°C	76W	0.63A
	1.05A	1950	-20 to 45°C	116W	0.97A

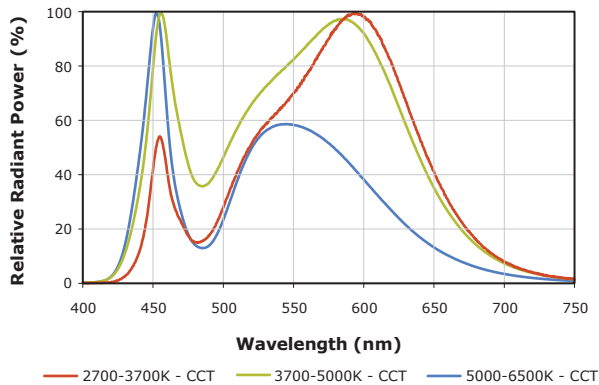
4 CHANNELS:

MODEL	CURRENT SETPOINT (Per channel)	TYPICAL LUMENS (Per white channel)	AMBIENT TEMP (4 channels at 100%)	INPUT POWER (TYP) (4 channels at 100%)	INPUT CURRENT (TYP) (Amperes at 120VAC) (4 channels at 100%)
SL2	700mA	1250	-20 to 25°C	105W	0.88A
SL3	700mA	1250	-20 to 25°C	105W	0.88A
SL4	700mA	1475	-20 to 50°C	101W	0.84A
	1.05A	1950	-20 to 30°C	155W	1.29A

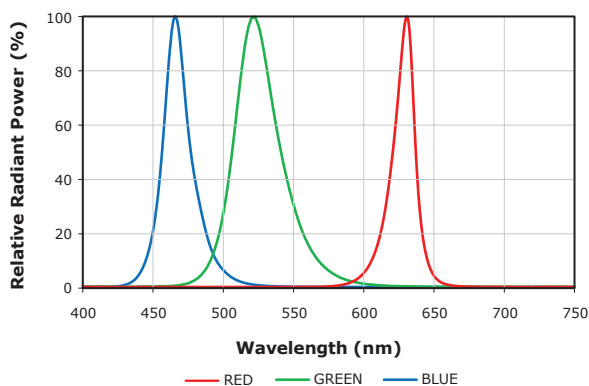
Note: The above electrical ratings, current setpoints and lumens are for reference and are typical values. Electrical ratings, current setpoints, and lumens are custom tuned and project specific. Contact Nemalux Sales representative for further details.

PHOTOMETRICS

WHITE CHANNELS:

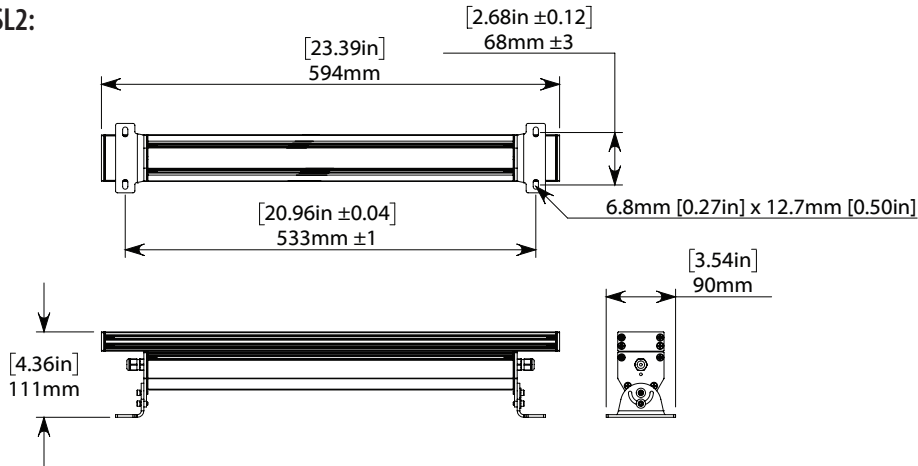


RGB CHANNELS:

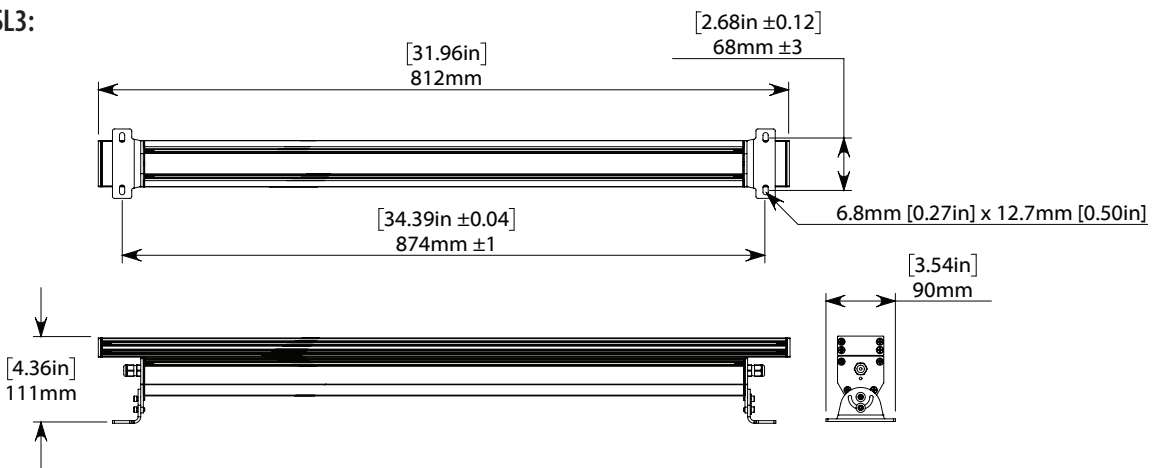


MOUNTING DIMENSIONS

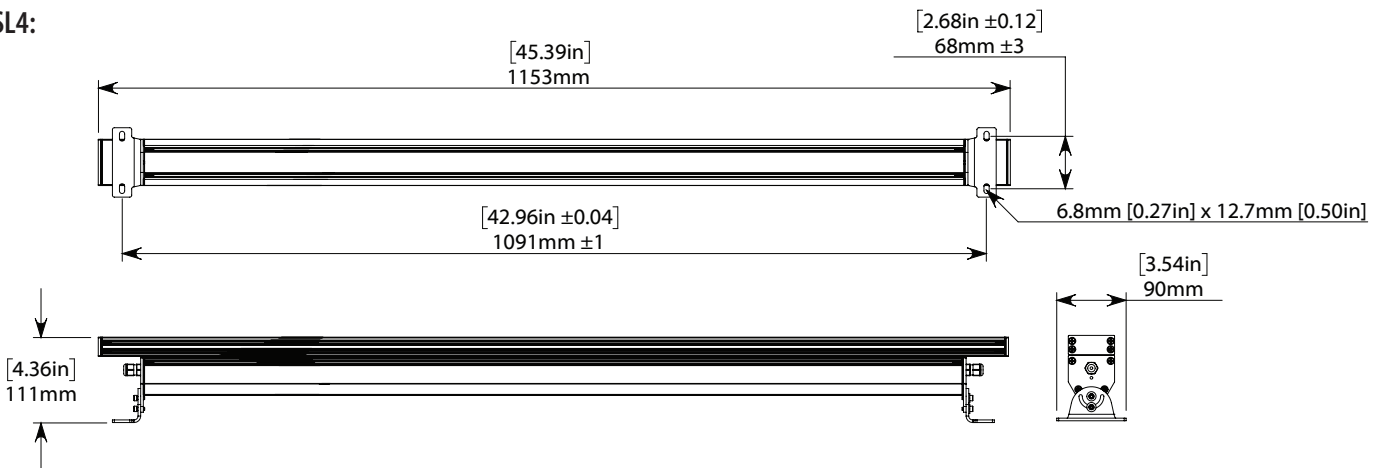
SL2:



SL3:



SL4:



ORDERING INFORMATION

PROJECT NAME		TYPE
PROJECT LOCATION		
COMMENT		DATE
PREPARED BY		

MODEL SELECTOR

Sample Number: SL4-RGBW-F-BLK-GEN-VAC

MODEL	COLOUR	OPTIC	FINISH	LOCATION	POWER
-	-	-	WT	GEN	VAC
SL2 SL3 SL4	RGBW - Multi-colour & White ² RGB - Multi-colour ² 3W - White ² 4W - White ²	F - Flood, 100° (No optics) Custom: RS - Spot, 15° ¹ O - Oval, 13° x 40° ¹ O90 - Rotated Oval, 40° x 13° ¹ M - Medium, 28° ¹ W - Wide, 49° ¹ WW - Extra Wide, 72° ¹	BLK - Black WHT - White Custom finishes available. Please contact for details. ^{1,2}	GEN - General Location	VAC - 120-277VAC

CUSTOM OPTIONS

WIRING

6.1 m (20ft) lead available on request.¹

NOTES:

1. Minimum order quantities, additional costs and lead times may incur.

2. Colour options:

- RGBW- Red, Green, Blue, and White (3500K CCT)
- RGB- Red, Green, and Blue
- 3W - Three white channels (2700K, 4000K, and 4750K CCT)
- 4W - Four white channels (2700K, 4000K, 4750K, and 6500K CCT)