



KEY FEATURES

- Designed for Hazardous Locations
- Available with 100° (wide/frosted) beam profile
- Thermally managed for maximum longevity
- Robust construction suitable for outdoor applications
- Lifespan greater than 60,500 hours
- Built-in Junction Box for easy wiring

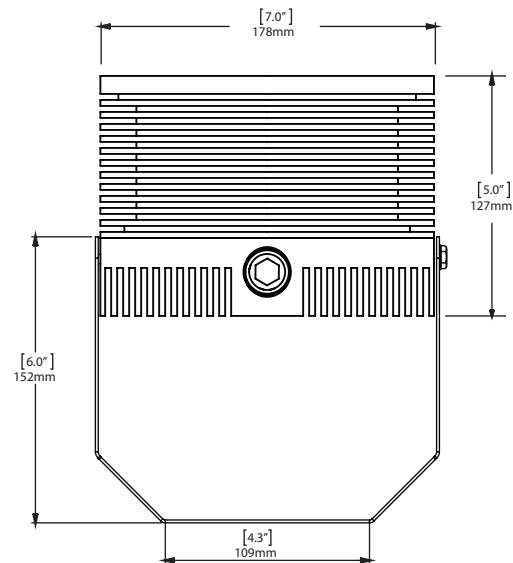


TECHNICAL SPECIFICATIONS / MAXIMUM RATINGS

HOUSING	Anodized Aluminum
MOUNTING	Stainless Steel Yoke
VOLTAGE MAXIMUM	240VAC
INPUT VOLTAGE	100-240VAC (50/60 Hz)
POWER (TYP)	50W
CURRENT (TYP)	0.4A @ 120VAC
CONNECTIONS	1.8 m 6ft flying lead or 3/4" NPT (Custom lengths available)
TEMPERATURE RANGE	-40°C to +45°C (Case ~20°C above ambient)
CERTIFICATIONS	Class I, Division 2, Groups ABCD; T3
INGRESS PROTECTION	IP66
COLOUR TEMP RANGE	50: 5000K Special Order: 2700-6500K
CRI VALUE (MIN)	50: 70
TOTAL LUMENS	50-W: 1996
LUMEN MAINTENANCE	LM-80 > 60,500 hrs (Based on CREE long term testing)
WEIGHT	4.3 kg 9.5 lbs

* The ambient temperature during lifetime, lumen and chromaticity determination is 25°C ± 1°C

DIMENSIONS



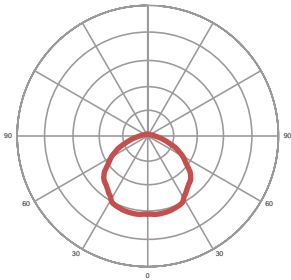
WARRANTY

Five (5) year limited warranty to the original purchaser. The warranty covers defects in materials and workmanship under normal use and service.

For additional information see:

<http://www.nemalux.com/company/warranty-policy/>

OPTIC OPTIONS



W - Wide

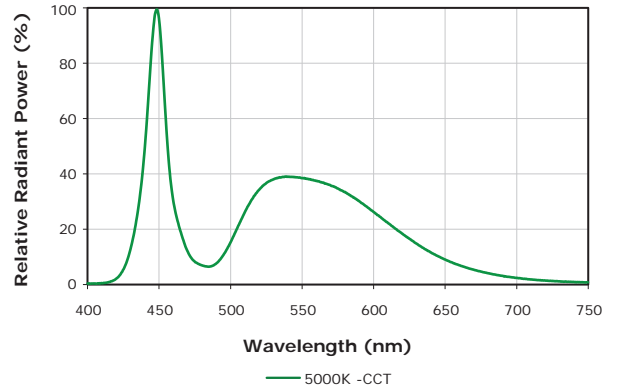
WIDE BEAM



FROSTED LENS

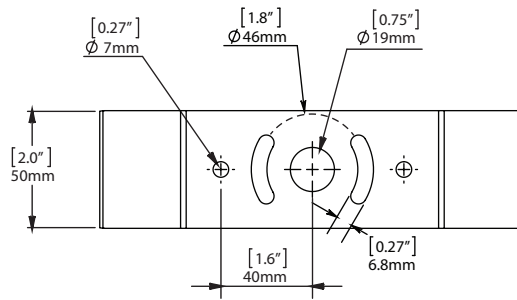
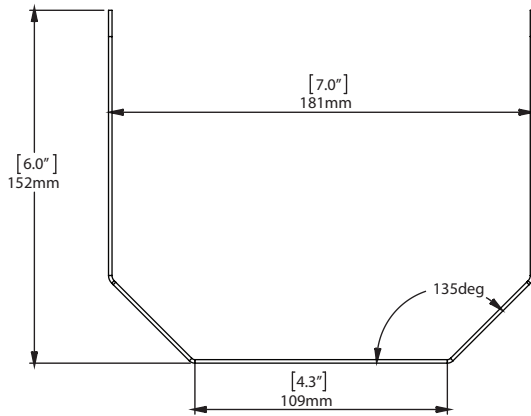


PHOTOMETRICS



MOUNTING

MOUNTING BRACKET



ORDERING INFORMATION

PROJECT NAME		TYPE
PROJECT LOCATION		
COMMENT		DATE
PREPARED BY		

MODEL SELECTOR

Sample Number: XCANLEDAC-50-WF-ALU-C1D2

MODEL	COLOUR	OPTIC	FINISH	LOCATION
XCANLEDAC-	-	-	-	C1D2
	50 - Cool White (5000K) Special Order: 27 - 2700K ¹ 30 - 3000K ¹ 35 - 3500K ¹ 40 - 4000K ¹ 45 - 4500K ¹ 55 - 5500K ¹ 65 - 6500K ¹	WF - Wide Frosted W - Wide	ALU - Clear Anodized Custom finishes available. Please contact for details. ¹	C1D2 - Hazardous Locations

CUSTOM OPTIONS

WIRING

Other wire lengths available in 30 cm (1 ft) increments.¹