

KEY FEATURES

- Certified for hazardous locations where explosive gas and explosive dust may be present
- Configurable total light output from 8000 to 20000 lumens
- Available with 17 possible optical beam profiles to meet almost any lighting distribution needed
- Suitable for Marine locations: certified to UL 1598A, Marine-grade copper-free aluminum construction with stainless steel mounting hardware
- Two-layer TIGER-Shield® coatings for excellent corrosion resistance in Marine environments; corrosion protective primer and AAMA 2604 compliant top-coat
- Approved for through-wiring of multiple luminaires on a single circuit
- IDA Dark Sky Approved for low glare and full cut-off to minimize light pollution and reduce environmental impacts of lighting on wildlife and local ecosystems
- 0-10V Dimming

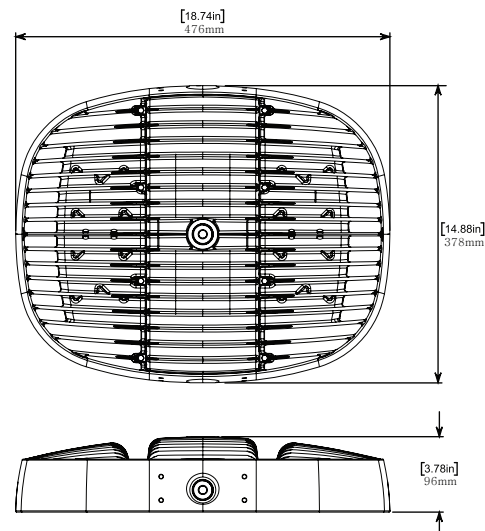


TECHNICAL SPECIFICATIONS / MAXIMUM RATINGS

HOUSING	Copper-free Aluminium, PC and PMMA Optics												
MOUNTING	SEE PAGES 2-3 FOR OPTIONS												
INPUT VOLTAGE	AC: 120-277 VAC HV: 347-480VAC (50/60Hz)												
POWER (TYP)	XR8: WC Flood 47W Optic 60W XR10: WC Flood 55W, Optic 75W XR15: WC Flood 84W, Optic 103W XR20: WC Flood 141W, Optic 156W												
CONNECTIONS	3x 3/4" NPT												
AMBIENT TEMPERATURE RANGE	<table border="0"> <tr> <td>Class I Division 2 Class 1 Zone 2</td> <td>Class II Division 2 Zone 22</td> </tr> <tr> <td>XR8: -50°C to +75°C T3C</td> <td>All models -50°C to +50°C T3C</td> </tr> <tr> <td>XR10: -50°C to +74°C T3C</td> <td>*Orientation restricted to straight down only.</td> </tr> <tr> <td>XR15: -50°C to +74°C T3C</td> <td></td> </tr> <tr> <td>XR20: -50°C to +67°C T3</td> <td></td> </tr> <tr> <td>(Case ~30°C above ambient)</td> <td></td> </tr> </table>	Class I Division 2 Class 1 Zone 2	Class II Division 2 Zone 22	XR8: -50°C to +75°C T3C	All models -50°C to +50°C T3C	XR10: -50°C to +74°C T3C	*Orientation restricted to straight down only.	XR15: -50°C to +74°C T3C		XR20: -50°C to +67°C T3		(Case ~30°C above ambient)	
Class I Division 2 Class 1 Zone 2	Class II Division 2 Zone 22												
XR8: -50°C to +75°C T3C	All models -50°C to +50°C T3C												
XR10: -50°C to +74°C T3C	*Orientation restricted to straight down only.												
XR15: -50°C to +74°C T3C													
XR20: -50°C to +67°C T3													
(Case ~30°C above ambient)													
CERTIFICATIONS	Certified to UL 1598 / CSA C22.2 No. 250.0-08, UL 1598A, UL 8750 / CSA C22.2 No. 250.13-17 Certified to UL 844 and CSA C22.2 No. 137-18: Class I, Division 2 Groups ABCD / Class I, Zone 2, Groups IIC; Class II Division 2 Groups FG / Class I, Zone 22, Groups IIIB; Class III												
INGRESS PROTECTION	IP66												
COLOUR TEMP RANGE	50: 5000K Special Order: 2700-6500K												
CRI VALUE (MIN)	50: 70												
TOTAL LUMENS	SEE CHART ON PAGE 2												
LUMEN MAINTENANCE	LM-80 > 100,000 hrs (Based on CREE long term testing)												
WEIGHT	8.1 kg 17.8 lbs												

* The ambient temperature during lifetime, lumen and chromaticity determination is 25°C ± 1°C

DIMENSIONS

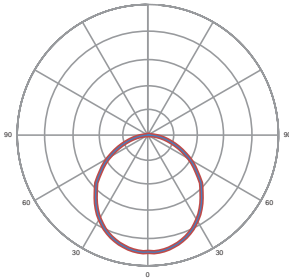


WARRANTY

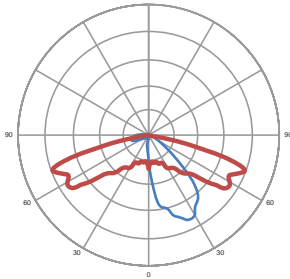
Five (5) year limited warranty to the original purchaser. The warranty covers defects in materials and workmanship under normal use and service.

For additional information see:
<http://www.nemalux.com/company/warranty-policy/>

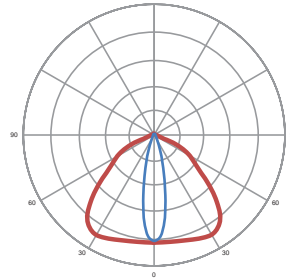
OPTIC OPTIONS



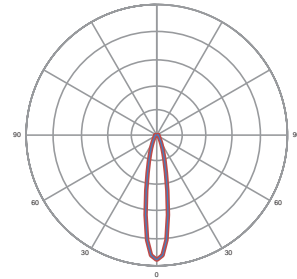
WC - Wide Beam (No Optics)



T3 - IESNA Type 3



OC - Oval 30° x 115°



SC - Spot 20°

AC MODELS (5000K CCT, minimum 70CRI)

MODEL	LUMENS	WATTS	LUMENS/WATT
XR8	7093	47	151
XR10	8267	55	150
XR15	12866	84	153
XR20	20550	143	144

MODEL	LUMENS	WATTS	LUMENS/WATT
XR8	7790	60	130
XR10	9540	75	127
XR15	12839	103	125
XR20	18036	156	116

MODEL	LUMENS	WATTS	LUMENS/WATT
XR8	7098	60	118
XR10	8692	75	116
XR15	11697	103	114
XR20	16433	156	105

MODEL	LUMENS	WATTS	LUMENS/WATT
XR8	7704	60	128
XR10	9434	75	126
XR15	12696	103	123
XR20	17836	156	114

HV MODELS (5000K CCT, minimum 70CRI)

MODEL	LUMENS	WATTS	LUMENS/WATT
XR8	7093	49	145
XR10	8267	58	143
XR15	12866	91	141
XR20	20550	148	139

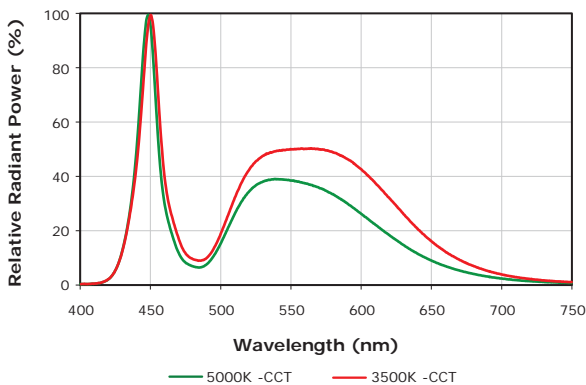
MODEL	LUMENS	WATTS	LUMENS/WATT
XR8	7790	64	122
XR10	9540	77	124
XR15	12839	107	120
XR20	18036	160	113

MODEL	LUMENS	WATTS	LUMENS/WATT
XR8	7098	64	111
XR10	8692	77	113
XR15	11697	107	109
XR20	16433	160	103

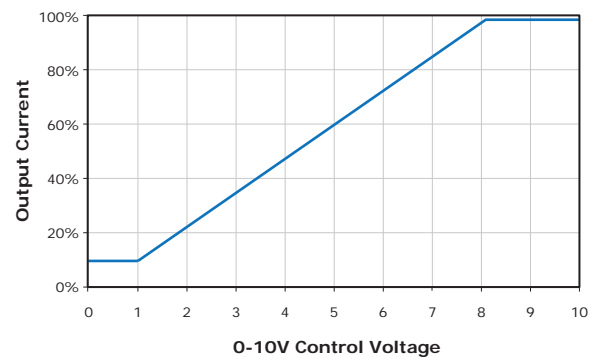
MODEL	LUMENS	WATTS	LUMENS/WATT
XR8	7704	64	120
XR10	9434	77	123
XR15	12696	107	119
XR20	17836	160	111

Note: Standard offering above, 7 alternate optical profiles available upon request. Contact Nemalux Sales representative for further details. Minimum order quantities, additional costs and lead times may incur.

PHOTOMETRICS



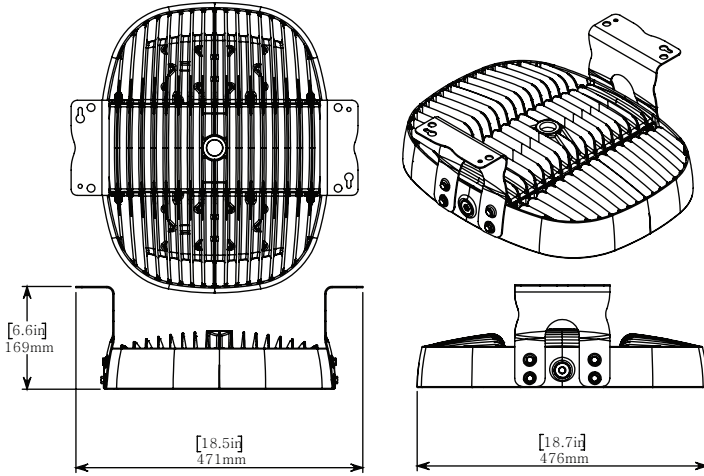
DIMMING



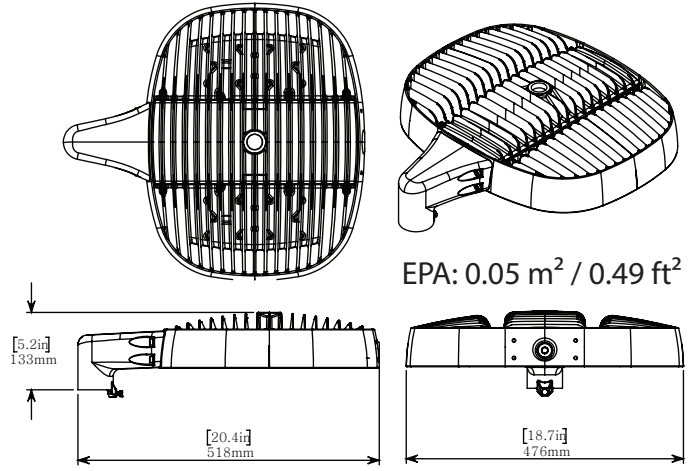
- Driver will source a maximum of 200uA for control needs
- Controller must sink current from the 0-10V control leads

MOUNTING OPTIONS

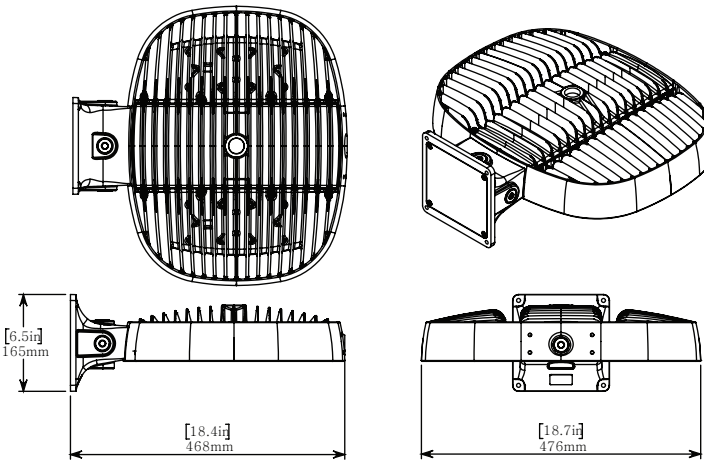
SURFACE/SUSPENDED MOUNT (XR-SM) : 8.5 kg | 18.7 lbs



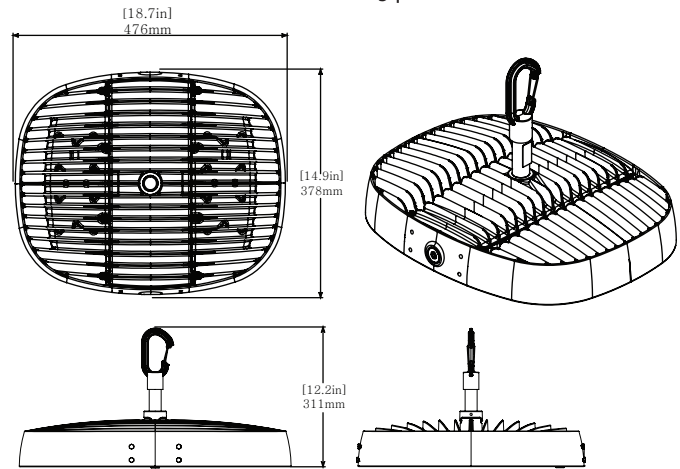
POLE MOUNT (XR-PM) : 8.6 kg | 18.9 lbs



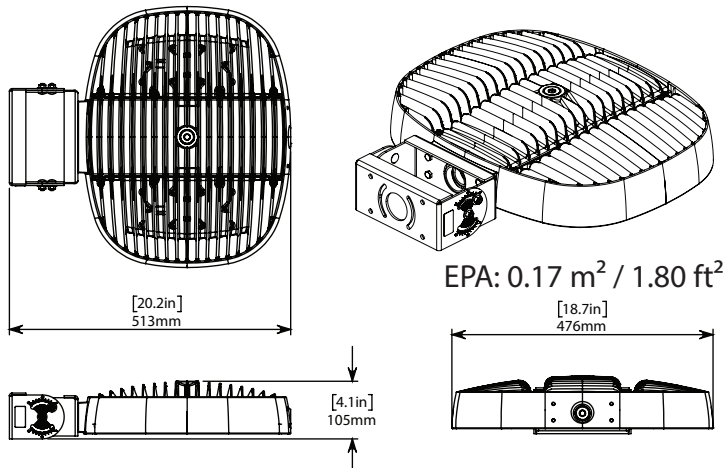
WALL MOUNT (XR-WM) : 9.4 kg | 20.7 lbs



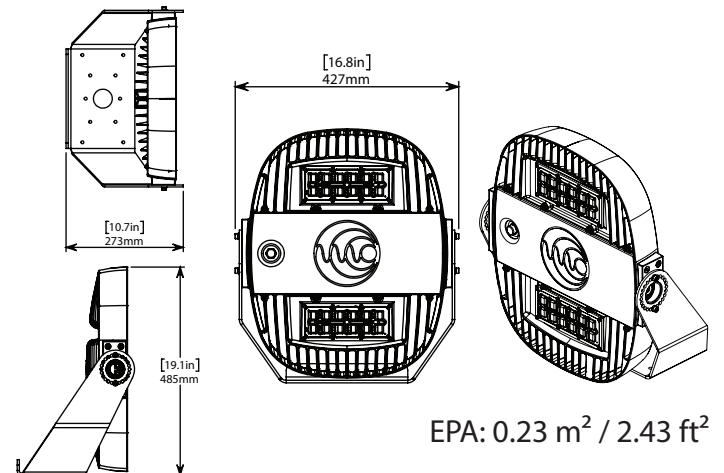
HANGING PENDANT (XR-HK) : 8.1 kg | 17.8 lbs



YOKE MOUNT (XR-YM) : 8.5 kg | 18.7 lbs

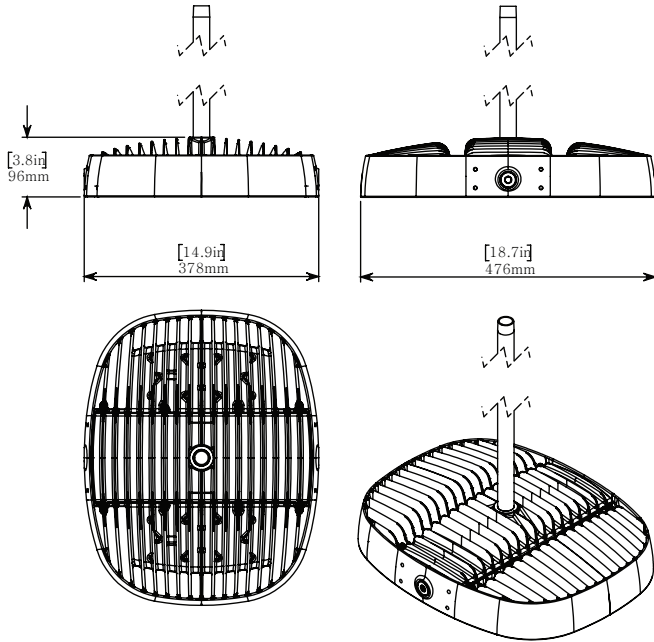


HIGH VIBRATION YOKE (XR-YK) : 12.9 kg | 28.3 lbs (Optional accessory)

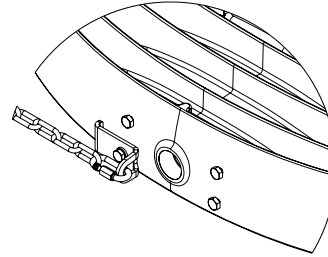


MOUNTING OPTIONS (Cont.)

CONDUIT ROTATION LOCK (XR-CC) : 8.2 kg | 18.0 lbs

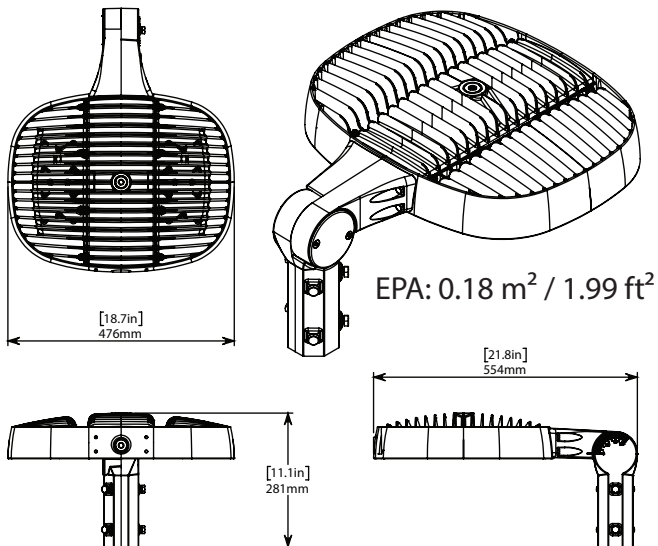


SECONDARY SAFETY KIT (XR-SK-##) : 8.2 kg | 18.0 lbs



represents the safety chain length in feet (i.e. 05=5', 10=10').
Secondary Safety Kit contains bracket, stainless steel chain (1/8 trade size),
and two stainless steel oval threaded connecting links.

SLIP FITTER YOKE MOUNT (XR-SFY) : 10.05 kg | 22.1 lbs



Stepped to accept either 1.5" Trade size (1-13/16" [46mm] to 2" [50mm] OD) & 2" Trade size (2-1/8" [53mm] to 2-7/16" [63mm])

**Per NEC 314.23H2 pendant/conduit installation below 8ft (2.4m) requires the use of an anti-rotation mechanism. R-CC accessory required. Order separately.

ORDERING INFORMATION

PROJECT NAME		TYPE
PROJECT LOCATION		
COMMENT		DATE
PREPARED BY		

MODEL SELECTOR

Sample Number: XR20-50-WC-GY-HZ-AC

MODEL	COLOUR	OPTIC	FINISH	LOCATION	POWER
			GY	HZ	
XR8 XR10 XR15 XR20	50 - 5000K, 70CRI Special Order: 27 - 2700K, 70CRI ^{1,3,4} 27H - 2700K, 90CRI ^{1,3,4} 30 - 3000K, 70CRI ^{1,3,4} 30H - 3000K, 90CRI ^{1,3,4} 35 - 3500K, 80CRI 35H - 3500K, 90CRI 40 - 4000K, 70CRI ¹ 40H - 4000K, 90CRI ¹ 50H - 5000K, 90CRI 57 - 5700K, 70CRI ¹ 57H - 5700K, 90CRI ¹ 65 - 6500K, 70CRI ¹ 65H - 6500K, 90CRI ¹	WC - Wide Beam (No optics) MC - Medium 60° OC - Oval 30° x 115° T3 - IESNA Type 3 (Medium beam) Special Order: VSM - IESNA Type 4 (Square beam for wide area lighting) ¹ ME - Asymmetric 70° x 150° ¹ T29 - Type 2 90 degree rotated where long side of beam must be parallel to luminaire WW - 90° Spot T2 - IESNA Type 2 (Medium Beam) SC - 20° Spot NC - 25° Spot	GY - Grey Custom finishes available. Please contact for details. ¹	HZ - Hazardous Locations ³	AC - 120-277VAC HV - 347-480VAC

ACCESSORIES (Order Separately)

Sample Number: XR-SM-GY-HZ

ACCESSORY	FINISH	HAZARDOUS LOCATION
	GY	HZ
XR-SM - Surface/Suspended Mount ² XR-PM - Pole Mount XR-WM - Wall Mount XR-HK - Hanging Pendant Mount XR-YM - Yoke Mount ^{2,3} XR-YK - High Vibration Yoke Mount ^{2,3} XR-CC - Conduit Rotation Lock Mount XR-SFY - Slip Fitter Yoke Mount XR-SK-## - Secondary Safety Kit ⁴	GY - Grey Custom finishes available. Please contact for details. ¹	HZ - Hazardous Location

NOTES:

1. Minimum order quantities, additional costs and lead times may apply.
2. Only available in stainless steel finish.
3. IDA Fixture Seal of Approval only applies to fixtures with a CCT of 3000K or less, and have fixed mounts aiming the fixture perpendicular to the ground.
4. ## represents the safety chain length in feet (i.e. 05=5', 10=10').
 Secondary Safety Kit contains bracket, stainless steel chain (1/8 trade size), and two stainless steel oval threaded connecting links.