

KEY FEATURES

- Redundant systems and advanced thermal management for extreme reliability
- Thermal foldback for high temperature environments
- High brightness: up to 28,800 lm per module
- Wide range of optical profiles
- Lightweight & modular design
- Small form factor for reduced wind loading
- 28,800 to 115,350 lumens
- 0-10V dimmable

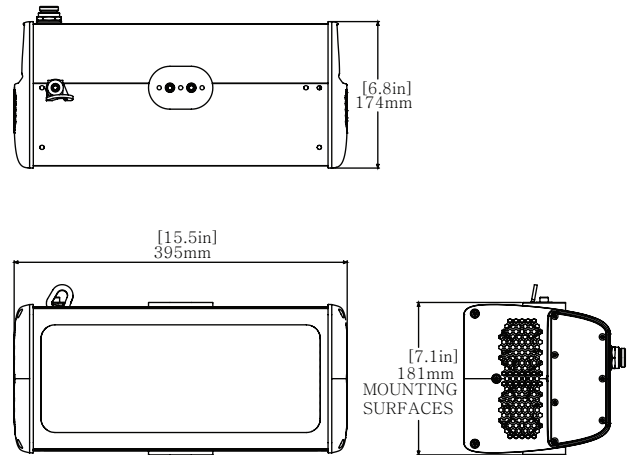


TECHNICAL SPECIFICATIONS / MAXIMUM RATINGS

HOUSING	Die-cast Powder Coated & Anodized Extruded Aluminium
MOUNTING	Fixed, Yoke Mount or Custom SEE PAGE 3 FOR DETAILS
VOLTAGE MAXIMUM	277VAC
INPUT VOLTAGE	120-277VAC (50/60 Hz)
RATED POWER	ZLM: 296W ZLM2: 592W ZLM4: 1184W
RATED CURRENT	ZLM: 2.5A ZLM2: 4.9A ZLM4: 9.9A
CONNECTIONS	S: Turck MiniFast quick connect with 3m (10') lead D: 3m (10') 5 conductor flying lead (Custom lengths available)
TEMPERATURE RANGE	-40°C to +45°C (Case ~30°C above ambient)
CERTIFICATIONS	Certified to UL 1598; CSA 22.2 No. 250.0; CSA 22.2 No. 250.13
INGRESS PROTECTION	IP66 Suitable for wet locations
COLOUR TEMP RANGE	50: 5000K Special Order: 2700-6500K
CRI VALUE (MIN)	50: 70 High CRI options available on request
TOTAL LUMENS	Up to 28,800 lm SEE PAGE 2 FOR DETAILS
LUMEN MAINTENANCE	LM-80 > 60,500 hrs (Based on CREE long term testing)
WEIGHT	ZLM: 10 kg (22 lbs) ZLM2: 20 kg (44 lbs) ZLM4: 40 kg (88 lbs)

* The ambient temperature during lifetime, lumen and chromaticity determination is 25°C ± 1°C

DIMENSIONS

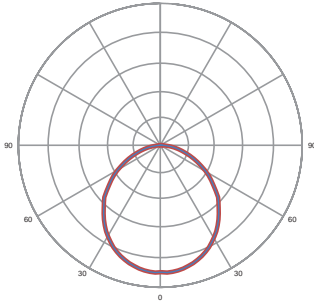


WARRANTY

Five (5) year limited warranty to the original purchaser. The warranty covers defects in materials and workmanship under normal use and service.

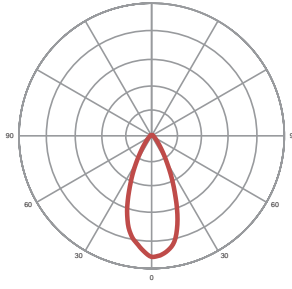
For additional information see:
<http://www.nemalux.com/company/warranty-policy/>

OPTIC OPTIONS



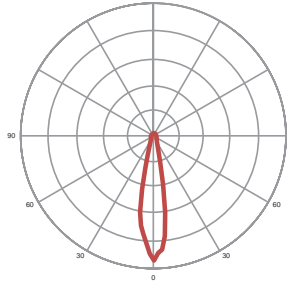
W - Wide 125°

MODEL	LUMENS
ZLM	26270
ZLM2	52530
ZLM4	105070



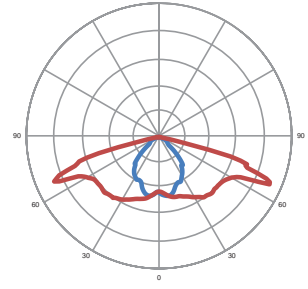
M - Medium 40°

MODEL	LUMENS
ZLM	24850
ZLM2	49700
ZLM4	99400



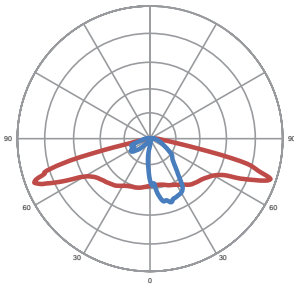
N - Narrow 21°

MODEL	LUMENS
ZLM	24850
ZLM2	49700
ZLM4	99400



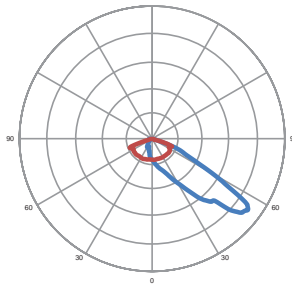
A - 90° x 140°

MODEL	LUMENS
ZLM	22370
ZLM2	44730
ZLM4	89460



T2 - IESNA Type 2

MODEL	LUMENS
ZLM	28840
ZLM2	57680
ZLM4	115350

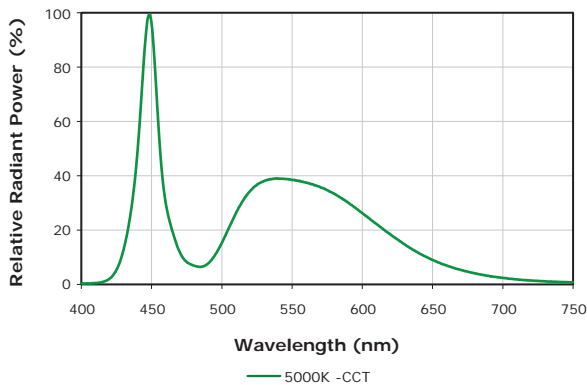


F - Forward Throw

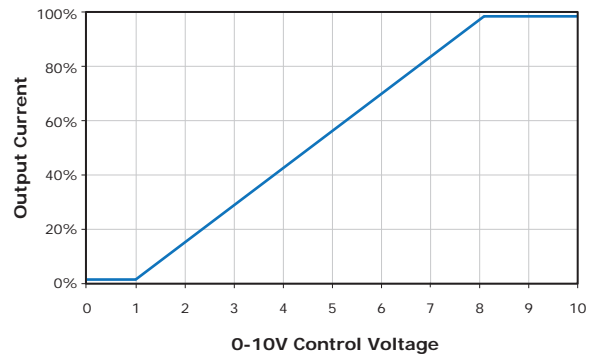
MODEL	LUMENS
ZLM	24590
ZLM2	49170
ZLM4	98340

Note: Data has been confirmed to the best of our ability without running expensive additional tests. Projections based on published efficiencies and scaled according to actual performance on measured samples (Narrow and Flood version).

PHOTOMETRICS



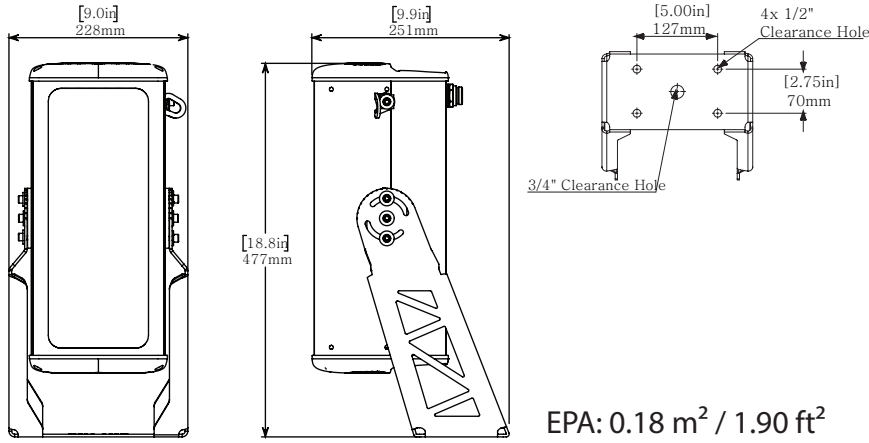
DIMMING



- Driver will source a maximum of 200uA for control needs
- Controller must sink current from the 0-10V control leads

MOUNTING OPTIONS

Single Vertical Yoke (ZLM-YM) : 10 kg | 22 lbs (Optional accessory)



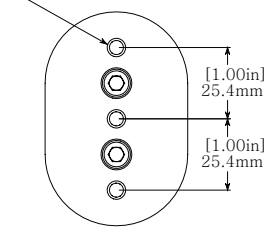
SECONDARY SAFETY



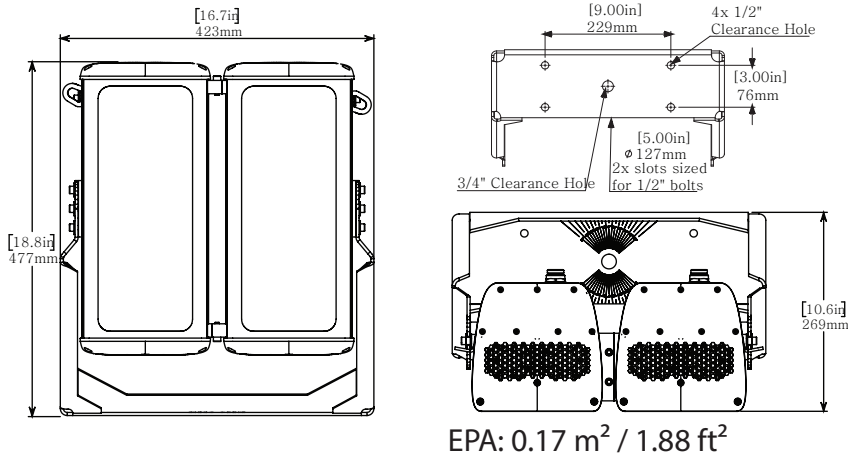
Sized for 1/2" chain quick link or locking connector/carabiner

MOUNTING POINTS

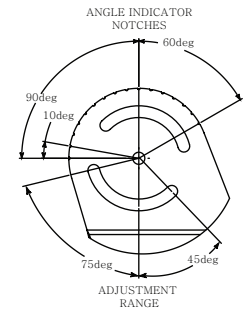
USE THREE (3) M6 FASTENERS EACH SIDE



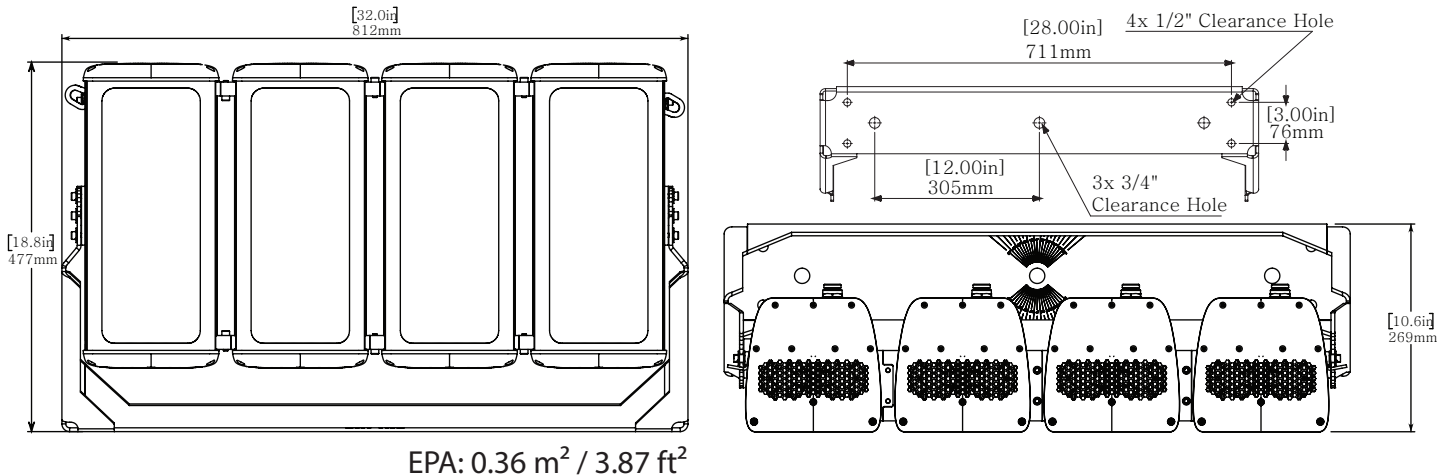
Double Vertical Yoke (ZLM2-YM) : 20 kg | 44 lbs (Optional accessory)



ANGLE ADJUSTMENT



Quad Vertical Yoke (ZLM4-YM) : 40 kg | 88 lbs (Optional accessory)



ORDERING INFORMATION

PROJECT NAME		TYPE
PROJECT LOCATION		
COMMENT		DATE
PREPARED BY		

MODEL SELECTOR

Sample Number: ZLM-50-W-GY-GN-AC-D

MODEL	COLOUR	OPTIC	FINISH	LOCATION	VOLTAGE	DIMMING
-	-	-	GY	GN	AC	-
ZLM ZLM2 ZLM4	50 - 5000K Special Order: 27 - 2700K ¹ 30 - 3000K ¹ 35 - 3500K ¹ 40 - 4000K ¹ 45 - 4500K ¹ 55 - 5500K ¹ 65 - 6500K ¹ High CRI options available. Please contact for details. ¹	W - Wide 125° (No optic) M - Medium 40° N - Narrow 21° A - 90° x 140° ¹ T2 - IESNA Type 2 ¹ F - Forward Throw ¹	GY - Grey	GN - General Location	AC - 120-277VAC	S - Standard D - 0-10V Dimming

ACCESSORIES (Order Separately)

Sample Number: ZLM-YM

ACCESSORY
ZLM-YM - Single Vertical Yoke
ZLM2-YM - Double Vertical Yoke
ZLM4-YM - Quad Vertical Yoke

CUSTOM OPTIONS

WIRING

Other wire lengths available in 30 cm (1 ft) increments.¹

NOTES:

¹. Minimum order quantities, additional costs and lead times may apply.