

ORIONQ DuraLED Orion Wallpack



Project Information	
Project Name: _____	Fixture Type: _____
Complete Catalog #: _____	Date: _____
Comments: _____	

The DuraGuard ORIONQ cut-off architectural wall luminaire is available with an IES Type III distribution designed to replace HID lighting systems from 150w to 250 MH or HPS. Typical wall mounted lighting applications include retail centers, industrial parks, schools and universities, public transit and airports, office buildings and medical facilities. Mounting heights of 12 to 20 feet can be used based on light level and uniformity requirements.

SPECIFICATIONS AND FEATURES:

HOUSING:

Die Cast Aluminum Housing with Full Cutoff Front Frame. Nickel-Plated Stainless Steel Hardware.

LISTING & RATINGS:

CSA: Listed for Wet Locations, ANSI/UL 1598, 8750 IP65 Sealed LED Compartment. Meets Dark Sky Requirements.

FINISH:

Textured Architectural Bronze Powdercoat Finish Over a Chromate Conversion Coating Custom Colors Available Upon Request.

LENS:

Tempered Clear Flat Glass Lens

MOUNTING OPTIONS:

Mount Directly Over a 4" Recessed Outlet Box, Includes Easy-Hang "Two Hands Free" Wall Mounting Bracket with Built-In Level

DURALED LED:

Aluminum Boards

WATTAGE:

Array: 46.5w, System: 52w

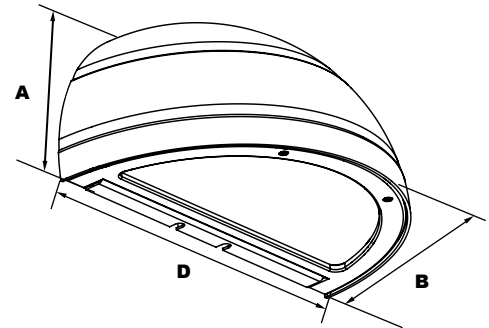
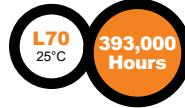
DRIVER:

Electronic Driver, 120-277V, 50/60Hz or 347-480V, 50/60Hz; Less Than 20% THD and PF>0.90. Standard Internal Surge Protection 6kV. 0-10V Dimming Standard for a Dimming Range of 100% to 10%; Dimming Source Current is 150 Microamps.

WARRANTY:

5-Year Warranty for -40°C to +40°C Environment.

See Page 2 for Projected Lumen Maintenance Table.



Dimensions

Width (D)	18 1/8" (460mm)
Length (B)	9 1/16" (229mm)
Height (A)	9 9/16" (233mm)

DuraLED TECHNOLOGY

Complete Units
Ordering Information
Example: ORIONQC1X47U5KCZSP

ORIONQ DuraLED Orion Wallpack

ORIONQ	C	1X47					C		
Model	Optics	Wattage	Driver	CCT	Lens	Color	Options		
ORIONQ= DuraLED Orion Wallpack	C=Type III	1X47=47w	U=120-277V H=347-480V	3K=3000K 4K=4000K 5K=5000K	C=Clear Flat Glass Lens	Z=Bronze C=Custom (Consult Factory)	SF=Single Fuse* DF=Double Fuse* SP=Surge Protection BU=Battery Backup, 90 Minutes*		

*120-277V Models Only.



Specifications subject to change without notice.

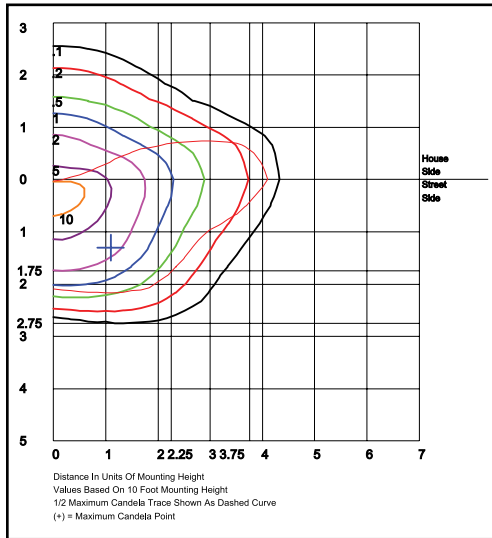
ORIONQ DuraLED Orion Wallpack



ACCESSORIES & REPLACEMENT PARTS:

Replacement Parts (Order Separately, Field Installed)	
WPC36GL	Tempered Clear Flat Glass Lens
For Replacement Battery Backup, see the DuraGuard LED Battery Backup Specification Sheet.	

PHOTOMETRIC DATA



ORIONQC1X47U5KC

Type III
 Grid in MH
 MH=16 Feet

PHOTOMETRIC PERFORMANCE

Optic	Wattage (Catalog Logic)	47W (1X47)
	Input Watts	52W
CCT		Delivered Lumens
C = Type III	3000K	4,552
	4000K	4,736
	5000K	4,921
	BUG Rating	B1-U1-G1

PROJECTED LUMEN MAINTENANCE

Data shown for 5000 CCT		Compare to MH				
TM-21-11	Input Watts	Initial	25,000 Hrs	50,000 Hrs	100,000 Hrs	Calculated LED Life
L70 Lumen Maintenance @ 25°C / 77°F	52w	1.00	0.98	0.96	0.92	393,000
L70 Lumen Maintenance @ 50°C / 122°F		1.00	0.97	0.93	0.86	219,000
L80 Lumen Maintenance @ 40°C / 104°F		1.00	0.97	0.94	0.89	180,000

NOTES:
 1. Projected per IESNA TM-21-11. Data references the extrapolated performance projections for the 525mA base model in a 25°C ambient, based on 10,000 hours of LED testing per IESNA LM-80-08.
 2. Compare to MH box indicates suggested Light Loss Factor (LLF) to be used when comparing to Metal Halide (MH) systems.