

Midi Horns and Sirens / Signal Horn 570

Signal horn WM Contin. tone 24VDC GY**Part No.:** 570.052.55**MECHANICAL DATA**

Length	152 mm
Height	360 mm
Diameter	148 mm
Materials	PC/ABS
Housing colour	Grey
Protection category	IP55
Connection	Screw terminals
cross-sectional area maximum	2,50mm ² / 14AWG
Cable entry	Through hole
Cable entry maximum	d = 10 mm
Type of fixing	Wall mounting
Working temperature minimum	-20°C
Working temperature maximum	+60°C
Weight with packaging	1096 g
Product weight	970 g

ELECTRICAL DATA

Operating voltage	24V
Operating voltage type	DC
Operating voltage tolerance	+/- 10%
Rated operational voltage	24 VDC
Rated operational current	350 mA
Rated inrush current	<5A
Protection class	Protection class 2
Pollution degree	3

ACOUSTIC DATA

Volume (max) at 1m distance	108,0 dB (A)
Acoustic signal image	Continuous tone
Acoustic service life	250 h minimum

APPROVAL DATA

Conforms with CE	Yes
Conforms with RoHS directive	Yes
WEEE	Yes
Conforms with ATEX-directive	No
Conforms with CCC	No
Conforms with UL	No
Conforms with FCC	No



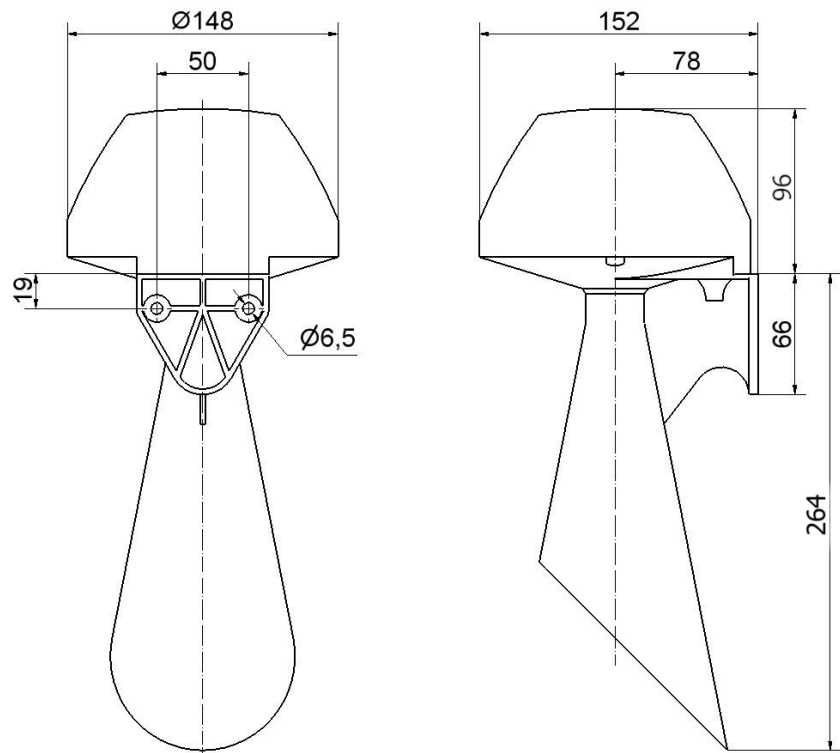
For additional installation and mounting information, refer to the appropriate user guide at www.werma.com. This printed copy is for information only and is subject to alteration.

Midi Horns and Sirens / Signal Horn 570

Signal horn WM Contin. tone 24VDC GY

Conforms with IC	No
EAC certificate available	Yes
Conforms with UKCA (Importer)	Yes (WERMA (UK) Ltd.)
Conforms with AS-I	No
ICAO Certification	No
Conforms with DNV	No
Conforms with RoHS CN	No
Conforms with VdS	No

DRAWING



! For additional installation and mounting information, refer to the appropriate user guide at www.werma.com. This printed copy is for information only and is subject to alteration.