

GL33C3 Easy-Gro LED Grow Light (120w)



Project Information	
Project Name: _____	Fixture Type: _____
Complete Catalog #: _____	Date: _____
Comments: _____	

SPECIFICATIONS AND FEATURES:

- Optimum Plant Growth with Higher Yields
- The Color Spectrum is Designed to Promote Photosynthesis:
Red - 77.1% / Blue - 22.6% / Green - .3%
- Nanometer Ranges: Red - 600-699 / Blue - 400-499 / Green - 500-599
- Cool Operating Temperatures for Easier Ambient Air Temperature Control
- Growing Area Recommended Dimensions: 4' Long by 3' Wide



HOUSING:

All Aluminum Construction, LED Chips are Potted with High Temperature Silicone Epoxy. Lightweight Design for Easy Installation and Re-Location as Desired. 10 foot 120V Cord Set Included.

LISTING & RATINGS:

CSA: Listed for Wet Locations, ANSI/UL 1598, 8750; IP66

MOUNTING OPTIONS:

Easy Mount V-Hangers Included

DRIVER:

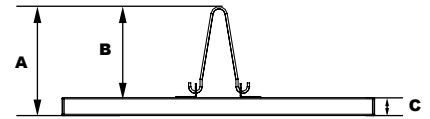
Electronic Driver, 120-277V, 50/60Hz; Less Than 20% THD and PF>0.90. Standard Internal Surge Protection 10kV. 0-10V Dimming Standard for a Dimming Range of 100% to 10%; Dimming Source Current is 150 Microamps.

WARRANTY:

5-Year Warranty for -35°C to +50°C Environment.

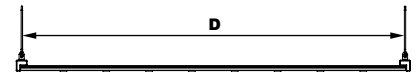
Dimensions

Height 1 (A)	6" (152mm)
Height 2 (B)	5" (127mm)
Height 1 (C)	1" (25mm)

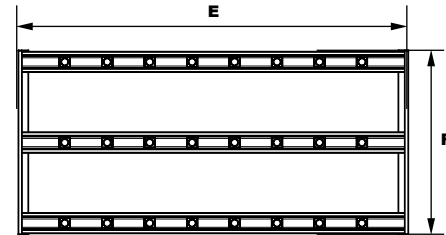


Dimensions

Length 1 (D)	35 1/4" (895mm)
--------------	-----------------



Length 2 (E)	36 1/4" (920mm)
Width (F)	17 1/8" (436mm)



DuraLED TECHNOLOGY

Complete Units
Ordering Information
Example: GL33C3120120

GL33C3 Easy-Gro LED Grow Light (120w)

GL33C3	120	120
Model	Wattage	Driver
GL33C3= Easy-Gro LED Grow Light	120=120w	120=120V

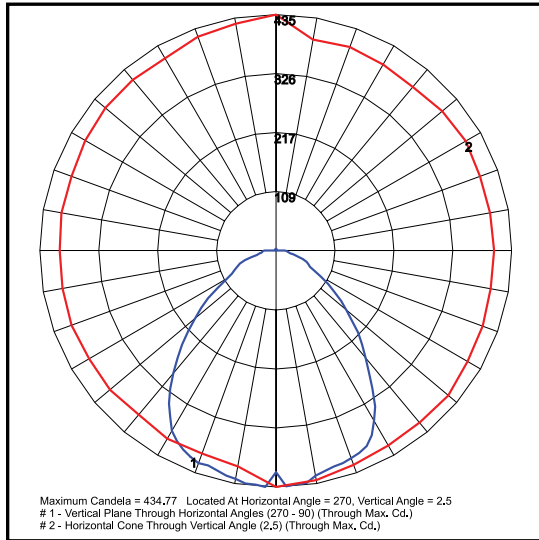


Specifications subject to change without notice.

GL33C3 Easy-Gro LED Grow Light (120w)

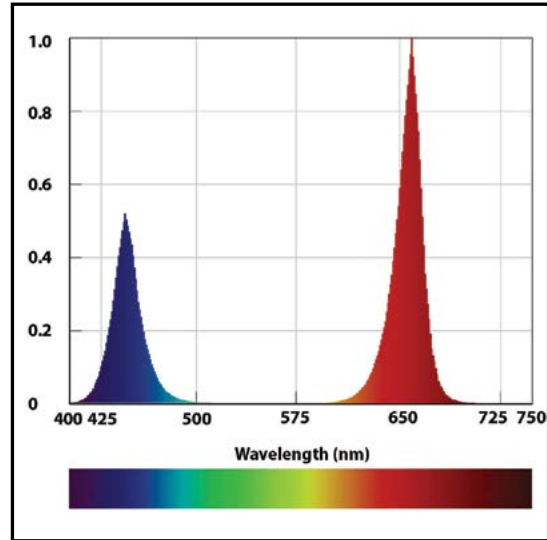


PHOTOMETRIC DATA

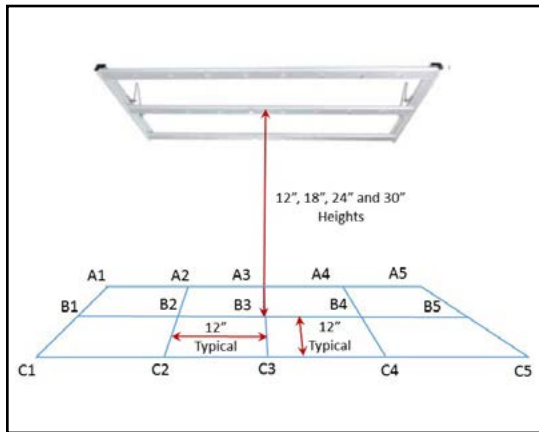


GL33C3120120

SPECTRAL CHART



PAR MEASUREMENT



GL33C3120120

VALUES IN $\mu\text{MOL}/\text{M}^2 \text{-s}$

36" Mounting Height					
A1	A2	A3	A4	A5	
24	36	42	37	25	
B1	B2	B3	B4	B5	
28	39	47	40	27	
C1	C2	C3	C4	C5	
26	34	40	33	22	

24" Mounting Height					
A1	A2	A3	A4	A5	
26	46	58	43	24	
B1	B2	B3	B4	B5	
32	61	78	59	31	
C1	C2	C3	C4	C5	
26	46	56	43	22	

18" Mounting Height					
A1	A2	A3	A4	A5	
20	52	65	49	21	
B1	B2	B3	B4	B5	
34	80	104	75	39	
C1	C2	C3	C4	C5	
23	50	64	47	20	

12" Mounting Height					
A1	A2	A3	A4	A5	
14	61	73	60	17	
B1	B2	B3	B4	B5	
28	112	136	109	23	
C1	C2	C3	C4	C5	
16	56	75	59	16	