

# ST30Q DuraLED Small Hampton Area/Roadway



<b>Project Information</b>	
Project Name:	Fixture Type:
Complete Catalog #:	Date:
Comments:	

The DuraGuard ST30Q luminaire is available in a wide choice of mounting configurations and optical distributions designed to replace HID lighting systems up to 400w MH or HPS. Typical applications include general area, parking, flood, security, and accent lighting for retail centers, industrial parks, schools and universities, public transit and airports, office buildings and medical facilities. Mounting heights of 12 to 30 feet can be used based on light level and uniformity requirements.

### SPECIFICATIONS AND FEATURES:

#### HOUSING:

Heavy-Duty Low Profile Die Cast Housing with Integral Heat Sinking, Driver Compartment. Powder-coat Finish Over a Chromate Conversion Coating. Includes Twist Lock Photocell Receptacle.

#### LISTING & RATINGS:

CSA: Listed for Wet Locations, Wall Mount Only, ANSI/UL 1598, 8750; IP65 Sealed LED Compartment.

#### FINISH:

Textured Powdercoat Finish Over a Chromate Conversion Coating. Custom Colors Available Upon Request.

#### LENS:

Tempered Clear Flat Glass Lens or Tempered Clear Flat Prismatic Glass Lens

#### MOUNTING OPTIONS:

2 1/2" Diameter Mounting Arm Adapter, Adjustable Slipfitter, or Two-Piece Bracket

#### DURALED LED:

Aluminum Boards

#### WATTAGE:

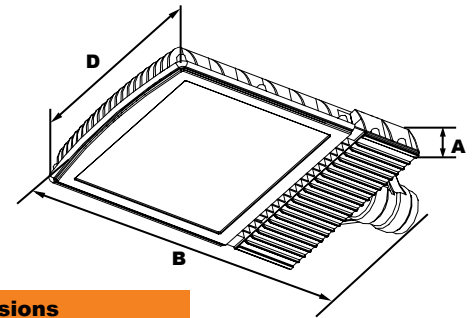
167w Array: 167.3w; System: 180w; (400w HID Equivalent)

#### DRIVER:

Electronic Driver, 120-277V, 50/60Hz or 347-480V, 50/60Hz; Less Than 20% THD and PF>0.90. Standard Internal Surge Protection 6kV. 0-10V Dimming Standard for a Dimming Range of 100% to 10%; Dimming

#### WARRANTY:

5-Year Warranty for -40°C to +50°C Environment.



#### Dimensions

<b>Width (D)</b>	15 1/8" (384mm)
<b>Length (B)</b>	27 3/4" (705mm)
<b>Height (A)</b>	4 1/8" (106mm)

### DuraLED TECHNOLOGY

Complete Units  
Ordering Information  
Example: ST30QF1X167U5KCZP40

## ST30Q DuraLED Small Hampton Area/Roadway

ST30Q	1X167							
Model	Optics	Wattage	Driver	CCT	Lens	Color	Mounting	Options
ST30Q=Small Hampton Area/Roadway		1X167=167w	U=120-277V H=347/480V	4K=4000K 5K=5000K		Z=Bronze C=Custom (Consult Factory)		
<p><b>A</b>=Type I/NEMA 7H x 6V  <b>B</b>=Type II/NEMA 7H x 6V  <b>C</b>=Type III/NEMA 7H x 7V  <b>D</b>=Type IV/NEMA 7H x 6V  <b>F</b>=Type V/NEMA 7H x 7V</p> <p>See Page 3 for Distribution Information.</p> <p><b>C</b>=Clear Flat Glass Lens  <b>P</b>=Clear Flat Prismatic Glass Lens*</p> <p>*Use with Type V Optic Only.</p> <p><b>MA</b>=Mounting Arm Adapter  <b>SF</b>=Slipfitter  <b>BR</b>=Two-Piece Swivel Bracket  <b>NM</b>=No Mount</p> <p><b>SF</b>=Single Fuse (120-277V Only)  <b>DF</b>=Double Fuse (120-277V Only)  <b>SP</b>=Surge Protection  <b>R3</b>=3-Pin 480V Twist Lock Photocell Receptacle with P18132 Shorting cap  <b>R5</b>=5-Pin Twist Lock Photocell Receptacle  <b>R7</b>=7-Pin ANSI C136.41—2013 Twist Lock Photocell Receptacle</p>								



DesignLights Consortium™  
Qualified Luminares:  
ST30QA1X167[U H]5KC\*\*\*  
ST30QB1X167[U H]5KC\*\*\*  
ST30QC1X167[U H]5KC\*\*\*  
ST30QD1X167[U H]5KC\*\*\*  
ST30QF1X167[U H]5KC\*\*\*



Specifications subject to change without notice.

# ST30Q DuraLED Small Hampton Area/Roadway



## ADDITIONAL MOUNTING OPTIONS



**ST30Q Shown with "ALMAA" Pole Mounting Arm Adaptor,**  
Die-Cast Adaptor for 2 3/8" Horizontal Mounting Arms, Bronze Powdercoat Finish, Includes Hardware.



**ST30Q Shown with "SSF" External Mount Slipfitter,**  
External Mount Die-Cast Adjustable Slipfitter for 2 3/8" Tenons, Bronze Powdercoat Finish, Includes Hardware.



**ST30Q Shown with "SSB" Two-Piece Swivel Bracket,**  
Two-Piece Stamped Steel Adjustable Bracket, Bronze Powdercoat Finish, Includes Hardware.

## ACCESSORIES & REPLACEMENT PARTS:



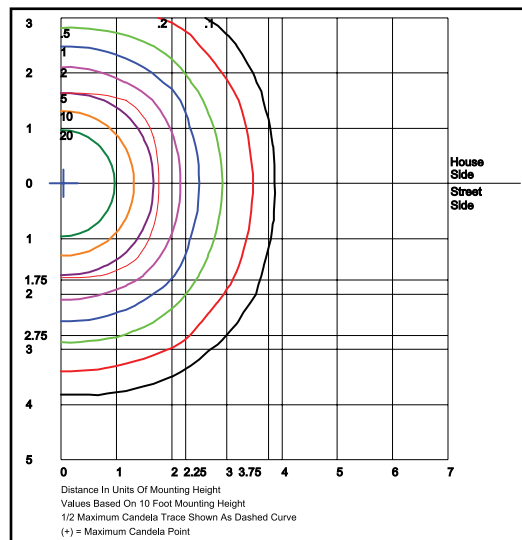
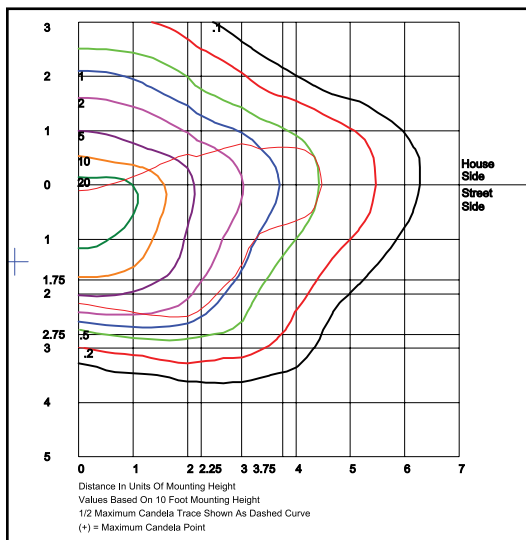
Mounting Accessories (Order Separately, Field Installed)	
STSFZ	Adjustable Die Cast Double Slipfitter with Angle Indicators Allows Mounting on Vertical Tenons, Includes Hardware. Bronze Finish.
PSS4T180HTZ	4" 180° Twin Square Horizontal Tenon, Bronze Powdercoat Finish
PSS5T180HTZ	5" 180° Twin Square Horizontal Tenon, Bronze Powdercoat Finish
PTSB1SZ	Single Pole Tenon Spoke Bracket, 2 3/8" Horizontal Mounting Arm, Bronze Powdercoat Finish, Includes Hardware.
PTSB290SZ	Twin Pole Tenon Spoke Bracket, 2 3/8" Horizontal 90° Mounting Arms, Bronze Powdercoat Finish, Includes Hardware.
PTSB2180SZ	Twin Pole Tenon Spoke Bracket, 2 3/8" Horizontal 180° Mounting Arms, Bronze Powdercoat Finish, Includes Hardware.
PTSB390SZ*	Triple Pole Tenon Spoke Bracket, 2 3/8" Horizontal 90° Mounting Arms, Bronze Powdercoat Finish, Includes Hardware.
PTSB3120SZ*	Triple Pole Tenon Spoke Bracket, 2 3/8" Horizontal 120° Mounting Arms, Bronze Powdercoat Finish, Includes Hardware.
PTSB490SZ*	Quad Pole Tenon Spoke Bracket, 2 3/8" Horizontal 90° Mounting Arms, Bronze Powdercoat Finish, Includes Hardware.

Accessories (Order Separately, Field Installed)	
P18130	480VAC Twist Lock Photocell Receptacle
P18131	Twist Lock Non-Shorting (Open) Cap Disconnects Service to Fixture for Temporary or Permanent Disabling (Fixture Always Off). IP65, 480V Maximum.
P18132	Twist Lock Shorting Cap Provides Fixed Service to Fixture (Fixture Always on). IP65, Rated Load 7200W Tungsten.
P18140	110-120VAC Instant Twist Lock Photocell
P18150	120VAC Time Delay Twist Lock Photocell
P18152	277VAC Time Delay Twist Lock Photocell
P18154	480VAC Time Delay Twist Lock Photocell. For 480V use only.
P18156	120-277VAC Universal Twist Lock Photocell
ST30GSZ	Aluminum House Side Shield, Bronze Powdercoat Finish, Includes Hardware.
ST30WG	Wire Guard, Stainless Steel Construction

Replacement Parts (Order Separately, Field Installed)	
ST30GLP	Tempered Clear Flat Prismatic Glass Lens
CVMAZ	Die-Cast Adaptor for 2 3/8" Horizontal Mounting Arms, Bronze Powdercoat Finish, Includes Hardware.
SSFZ	External Mount Die-Cast Adjustable Slipfitter for 2 3/8" Tenons, Bronze Powdercoat Finish, Includes Hardware.
SSBZ	Two-Piece Stamped Steel Adjustable Bracket, Bronze Powdercoat Finish, Includes Hardware.

\*Non-stock item. Consult factory for lead time.

## PHOTOMETRIC DATA



**ST30QC1X167U5KC**  
Type III

**ST30QF1X167U5KC**  
Type V

Specifications subject to change without notice.

**ST30Q DuraLED Small Hampton Area/Roadway**

**DuraGuard**  
PRODUCTS INC.  
A QSSI Company

**PHOTOMETRIC PERFORMANCE**

LED Board Watts	Drive Current (mA)	Input Watts	Optics	5000 CCT 80 CRI					4000 CCT 80 CRI					
				Lumens	LPW	B	U	G	Lumens	LPW	B	U	G	
<b>DuraLED 167w</b>	525	180	A	Type I	19,978	111	4	0	3	18,280	102	4	0	3
			B	Type II	19,634	109	3	0	3	17,965	100	3	0	2
			C	Type III	21,084	117	3	0	3	19,292	107	3	0	3
			D	Type IV	18,958	105	3	0	4	17,347	96	3	0	4
			F	Type V	20,527	114	4	0	1	18,782	104	4	0	1

LED Board Watts	Drive Current (mA)	Input Watts	Optics	5000 CCT 80 CRI		4000 CCT 80 CRI		
				Lumens	LPW	Lumens	LPW	
<b>DuraLED 167w</b>	525	180	A	128°H x 76°V, NEMA 7H x 6V	19,940	111	18,245	101
			B	115°H x 35°V, NEMA 7H x 6V	19,654	109	17,984	100
			C	117°H x 71°V, NEMA 7H x 7V	21,045	117	19,256	107
			D	116°H x 40°V, NEMA 7H x 6V	18,635	104	17,051	95
			F	118°H x 118°V, NEMA 7H x 7V	20,537	114	18,791	104

Specifications subject to change without notice.