

LED Post Top Light

Product Specifications



TCP's LED Post Tops feature a sleek, modern look with high efficiency LEDs. An efficient alternative to metal halide, these post tops deliver bright, uniform light while providing energy savings and rebate eligibility. A long 50,000 hour rated life significantly decreases maintenance labor and material costs over the life of the fixture.

The robust die-cast aluminum housing is complemented by a durable acrylic lens that delivers an even Type V distribution. An integrated NEMA 7-pin photocell receptacle comes standard for use with 3-pin or 7-pin photocontrols or wireless nodes. A shorting cap is provided in case controls are not needed. The Post Tops fit over a 2 3/8" O.D. vertical tenon.

Reasons to choose the LED Post Top Light from TCP

- Up to 67% less energy than traditional metal halide provides Instant energy savings and potential rebate eligibility
- Long 50,000 hour rated life minimizes replacement and labor costs
- Integrated 7-pin NEMA photocontrol receptacle with shorting cap comes standard 3-pin or 7-pin photocontrol or wireless control node can be used
- Mercury-free construction is great for all environments
- Die-cast aluminum housing with acrylic optics Provides an even Type V distribution
- UL approved for wet locations Suitable for outdoor installation
- Fits over a 2 3/8" vertical tenon for easy installation and retrofit application

Ideal Applications

- Site Lighting
- Security Lighting
- Pathways
- Entrances
- Perimeters

Specifications

Input Line Voltage	120-277V
Input Line Frequency (Hz)	50/60HZ
Lumens / Wattage	9000L (75W), 12500L (100W), 18750L (150W)
Lumens per Watt (LPW).....	120-125 LPW
Color Temperature (CCT)	4000K, 5000K
Dimming.....	0-10VDC dimming via 7-pin NEMA Photocontrol receptacle
Controls.....	NEMA 7-pin Photocontrol Receptacle with Shorting Cap provided
Rated Life.....	>50,000 hours
Operating Temperature.....	-40°C to 40°C
CRI.....	80+
Power Factor	>0.9
THD.....	<20%

Warranty

Five year limited warranty against defects in manufacturing.

Replacement Comparison

Type	WATTAGE	ENERGY SAVINGS (%)
TCP Post Top A1 - 9000 Lumens	75W	—
150W Metal Halide	188W	60%
200W Metal Halide	230W	67%
TCP Post Top A2 - 12500 Lumens	100W	—
200W Metal Halide	230W	57%
250W Metal Halide	295W	66%
TCP Post Top A3 - 18500 Lumens	150W	—
400W Metal Halide	458W	67%



Applications

TCP's LED Post Tops are a highly efficient alternative to traditional metal halide fixtures. Ideal for outdoor applications requiring bright, uniform light including site lighting, security lighting, entrances, pathways and parking lots.

Construction

- Heavy duty die-cast aluminum housing
- Durable UV stabilized powder coat finish
- Fits over a 2 3/8" vertical tenon
- Folds flat to reduce shipping costs

Electrical

- NEMA 7-pin photocontrol receptacle with shorting cap accepts 3-pin or 7-pin photocontrols or wireless control nodes
- System rated for long 50,000 hour rated life
- cULus wet location rated

Optics

- Acrylic optic provides Type V distribution

Lumen Maintenance Factor (LMF)

ITEM#	36,000 HOURS ¹	50,000 HOURS ¹	100,000 HOURS ²	REPORTED L ₇₀ (HOURS) ¹
A1	92.88%	90.25%	81.43%	>54,000
A2	92.88%	90.25%	81.43%	>54,000
A3	92.88%	90.25%	81.43%	>54,000

¹ IESNA TM-21-11 projected value based on 6X IESNA LM-80-08 total test duration.

² IESNA TM-21-11 calculated value exceeds 6X IESNA LM-80-08 total test duration.

Item Number	
Notes	Type



Listings

cULus Listed – wet location rated
RoHS Compliant
DLC v5.0 Standard

Installation

Before installation, please consult your local ordinances and building codes for compliance

Warranty

Five year limited warranty against defects in manufacturing.

Catalog Ordering Matrix

Example: PTUZDA1T540KN7BR

PT	U	ZD	A1	T5	40K	N7	BR
FAMILY	VOLTAGE	DIMMING	LUMENS PACKAGE (POWER) ^{1,2}	DISTRIBUTION	CCT	PHOTOCELL RECEPTACLE ³	COLOR ⁴
PT = Post Top	U = 120V-277V	ZD = 0-10V Dimming	A1 = 9000 Lumens (75W) A2 = 12500 Lumens (100W) A3 = 18750 Lumens (150W)	T5 = Type V	40K = 4000K 50K = 5000K	N7 = NEMA 7-Pin	BR = Bronze BK = Black

¹ Approximate lumen output. Actual performance may vary based on CCT, options selected and end user application.

² Actual wattage may vary by +/- 10%.

³ Shorting cap provided. Can be used with a standard 3-pin photocontrol or a wireless control node.

⁴ Black color is a special order and requires additional lead time. Consult factory for details.

Performance Data

LUMEN PACKAGE	SYSTEM WATTS	DRIVE CURRENT (MA)	INPUT VOLTAGE	DISTRIBUTION TYPE	4000K 70CRI		5000K 70CRI		B-U-G RATING
					LUMENS	LPW	LUMENS	LPW	
A1	75	95	120-277V	V	9025	120	9205	123	B3-U3-G1
A2	100	100	120-277V	V	12359	124	12606	126	B3-U3-G1
A3	150	100	120-277V	V	18292	122	18658	124	B4-U3-G1

For the most up-to-date specs and warranty information, please visit www.tcp.com

TCP®

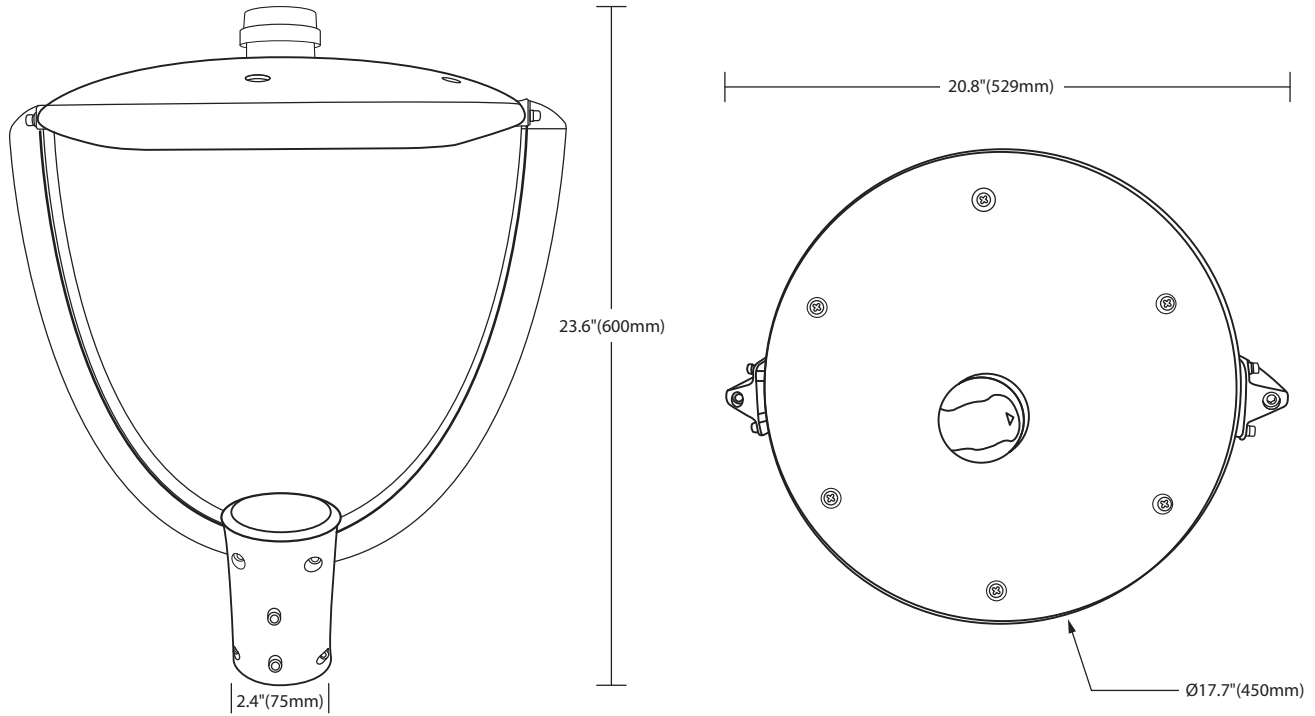
325 Campus Dr. | Aurora, Ohio 44202 | P: 800-324-1496 | tcp.com



5 YEAR WARRANTY

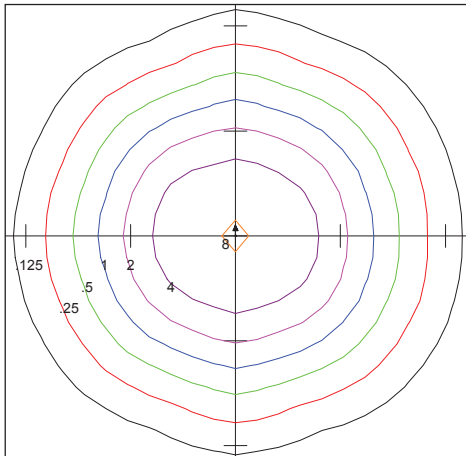
Not all versions of this product are qualified on the DLC QPL. To view our DLC qualified products, please consult the DLC Qualified Products List at www.designlights.org/qpl.

Dimensions



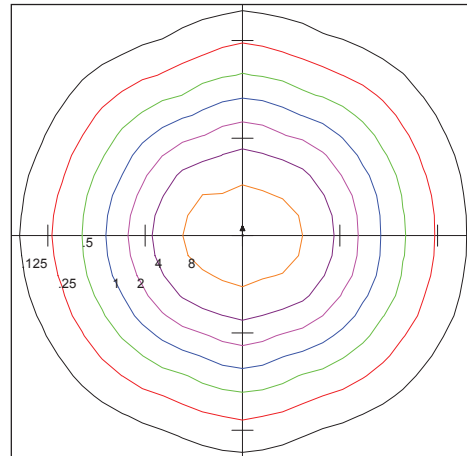
Photometric Report

TCP Item # **PTUZDA1T540KN7BR**
Polar Graph



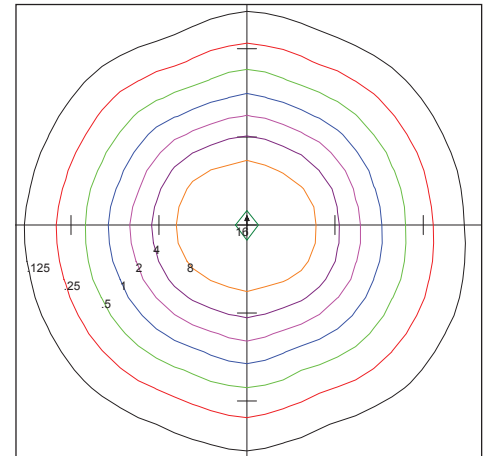
Horizontal Footcandles
Scale: 1 Inch = 20 Ft.
Light Loss Factor = 1.00
Lumens Per Lamp = N.A. (absolute photometry)
Luminaire Lumens = 9025
Mounting Height = 20.00 Ft
Maximum Calculated Value = 9.33 Fc
Arrangement: Single

TCP Item # **PTUZDA2T540KN7BR**
Polar Graph



Horizontal Footcandles
Scale: 1 Inch = 20 Ft.
Light Loss Factor = 1.00
Lumens Per Lamp = N.A. (absolute photometry)
Luminaire Lumens = 12359
Mounting Height = 20.00 Ft
Maximum Calculated Value = 12.99 Fc
Arrangement: Single

TCP Item # **PTUZDA3T540KN7BR**
Polar Graph



Horizontal Footcandles
Scale: 1 Inch = 20 Ft.
Light Loss Factor = 1.00
Lumens Per Lamp = N.A. (absolute photometry)
Luminaire Lumens = 18292
Mounting Height = 20.00 Ft
Maximum Calculated Value = 18.96 Fc
Arrangement: Single

Specifications and dimensions subject to change without notice.

TCP®

325 Campus Dr. | Aurora, Ohio 44202 | P: 800-324-1496 | tcp.com

©TCP OCT 2020/WF206355



5 YEAR
WARRANTY

Not all versions of this product are qualified on the DLC QPL. To view our DLC qualified products, please consult the DLC Qualified Products List at www.designlights.org/qpl.