

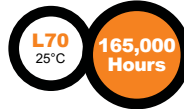
# MWPQ DuraLED Medium Wallpack



<b>Project Information</b>	
Project Name:	Fixture Type:
Complete Catalog #:	Date:
Comments:	

The DuraGuard MWPQ general purpose wall pack luminaire provides optically controlled wide spread light distribution designed to replace HID lighting systems from 150w to 250w MH or HPS. Typical wall mounted lighting applications include retail centers, industrial parks, schools and universities, public transit and airports, office buildings and medical facilities. Mounting heights of 12 to 18 feet can be used based on light level and uniformity requirements.

## SPECIFICATIONS AND FEATURES:



### HOUSING:

Die Cast Aluminum Housing & Hinged Front Frame, 1/2" Coin Plugs with O-rings for Conduit & Photocell.

### LISTING & RATINGS:

CSA: Listed for Wet Locations, ANSI/UL 1598, 8750 IP65 Sealed LED Compartment.

### FINISH:

Textured Powdercoat Finish Over a Chromate Conversion Coating. Custom Colors Available Upon Request.

### LENS:

Prismatic Clear or SoftLED Prismatic Borosilicate Glass Lens

### MOUNTING OPTIONS:

Cast-in Template for Mounting Directly Over a 4" Recessed Outlet Box, or Use 1/2" Surface Conduit.

### DURALED LED:

Aluminum Boards

### WATTAGE:

Array: 25w, System: 27.2w; (150w HID Equivalent)  
 Array: 41.3w, System: 47w; (250w HID Equivalent)  
 Array: 50w, System: 54.3w; (250w HID Equivalent)

### DRIVER:

Electronic Driver, 120-277V, 50/60Hz or 347-480V, 50/60Hz; Less Than 20% THD and PF>0.90. Standard Internal Surge Protection 6kV. 0-10V Dimming Standard for a Dimming Range of 100% to 10%; Dimming Source Current is 150 Microamps.

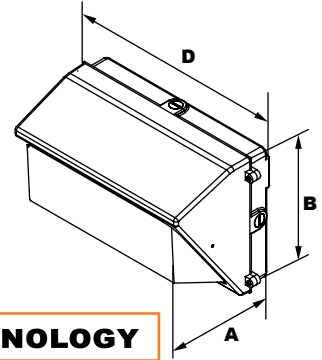
### CONTROLS:

Fixtures Ordered with Factory-Installed Photocell or Motion Sensor Controls are Internally Wired for Switching and/or 1-10V Dimming Within the Housing. Remote Direct Wired Interface of 1-10V Dimming is Not Implied and May Not Be Available, Please Consult Factory. Fixtures are Tested with DuraGuard Controls and May Not Function Properly With Controls Supplied By Others. Fixtures are NOT Designed for Use with Line Voltage Dimmers.

### WARRANTY:

5-Year Warranty for -40°C to +40°C Environment.

See Page 2 for Projected Lumen Maintenance Table.



### Dimensions

Width (D)	14 1/4" (362mm)
Length (B)	7 1/4" (189mm)
Height (A)	9" (225mm)

### DuraLED TECHNOLOGY

Complete Units  
 Ordering Information  
 Example: MWPQF1X50U5KZSP

# MWPQ DuraLED Medium Wallpack

MWPQ	F						
Model	Optics	Wattage	Driver	CCT	Lens	Color	Options
<b>MWPQ=</b> DuraLED Medium Wallpack	<b>F=</b> Type IV	<b>1X25=</b> 25w <b>1X41=</b> 41w <b>1X50=</b> 50w	<b>U=</b> 120-277V <b>H=</b> 347-480V	<b>3K=</b> 3000K <b>4K=</b> 4000K <b>5K=</b> 5000K	(Leave Blank)= Standard Prismatic Glass Lens <b>S=</b> SoftLED Prismatic Glass Lens	<b>Z=</b> Bronze <b>C=</b> Custom (Consult Factory)	

**SF=**Single Fuse\*  
**DF=**Double Fuse\*  
**SP=**Surge Protection  
**PC3=**Photocell, 120-277VAC  
**P10=**Pencil Photocell, 120VAC  
**P12=**Pencil Photocell, 277VAC  
**S2=**Microwave Sensor with Dimming for Mounting Heights of 8' to 40'.\*  
**S4=**Microwave On/Off Motion Sensor for Mounting Heights of 8' to 19'.\*  
**BU=**Battery Backup, 90 Minutes\*  
**BUC=**Cold Start Battery Backup, -20°C, 90 Minutes\*

\*120-277V Models Only.



DesignLights Consortium™  
 Qualified Luminares:  
 MWPQF1X41[U H]5K\*



Specifications subject to change without notice.

# MWPQ DuraLED Medium Wallpack



## ACCESSORIES & REPLACEMENT PARTS:



### Accessories (Order Separately, Field Installed)

MWPSCSZ	Side Cutoff, Stamped Steel, Bronze Powdercoat Finish
MWPVVSZ	Clear UV-Stabilized Polycarbonate Vandal Resistant Guard
MWPWG	Wire Guard, Stainless Steel Construction, Includes Hardware.

### Replacement Parts (Order Separately, Field Installed)

MWPGL	Molded Prismatic Borosilicate Glass Lens with Gasket
MWPGLSS	SoftLED Prismatic Borosilicate Glass Lens.
P18103	120-277VAC PhotoCell
P18110	110-130V 120VAC Pencil PhotoCell
P18112	208-277V 240VAC Pencil PhotoCell
P18114	120-277V, 50/60Hz Pencil PhotoCell
P17117	Internal Microwave Sensor with Dimming for Mounting Heights of 8 to 40'. 120-277VAC, 50/60Hz
P17123	Internally Mounted Microwave On/Off Motion Sensor for Mounting Heights of 8' to 19', 120-277VAC, 50/60Hz

For Replacement Battery Backup, see the DuraGuard LED Battery Backup Specification Sheet.

\*Shown Mounted

## PHOTOMETRIC PERFORMANCE

LED Board Watts	Drive Current (mA)	Input Watts	Optics	5000 CCT 80 CRI					4000 CCT 80 CRI					3000 CCT 80 CRI				
				Lumens	LPW	B	U	G	Lumens	LPW	B	U	G	Lumens	LPW	B	U	G
DuraLED 25w	116	27	Type IV	3,962	147	1	3	3	3,804	141	1	3	3	3,507	130	1	3	3
DuraLED 41w		47	Type IV	5,943	126	1	4	4	5,706	121	1	4	4	5,260	112	1	4	4
DuraLED 50w		54	Type IV	7,924	148	1	4	5	7,608	141	1	4	4	7,013	130	1	4	4

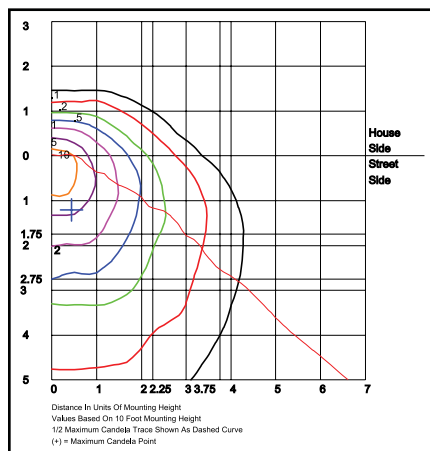
## PROJECTED LUMEN MAINTENANCE

Data shown for 5000 CCT			Compare to MH			
TM-21-11	Input Watts	Initial	25,000 Hrs	50,000 Hrs	100,000 Hrs	Calculated L70@ 25°C
L70 Lumen Maintenance @ 25°C / 77°F	47	1.00	0.95	0.91	0.82	165,000
TM-21-11	Input Watts	Initial	25,000 Hrs	50,000 Hrs	100,000 Hrs	Calculated L70@ 50°C
L70 Lumen Maintenance @ 50°C / 122°F	47	1.00	0.92	0.84	0.69	96,000
TM-21-11	Input Watts	Initial	25,000 Hrs	50,000 Hrs	100,000 Hrs	Calculated L80@ 40°C
L80 Lumen Maintenance @ 40°C / 104°F	47	1.00	0.93	0.86	0.73	74,000

### NOTES:

1. Projected per IESNA TM-21-11. Data references the extrapolated performance projections for the 116mA base model in a 25°C ambient, based on 10,000 hours of LED testing per IESNA LM-80-08.
2. Compare to MH box indicates suggested Light Loss Factor (LLF) to be used when comparing to Metal Halide (MH) systems.

## PHOTOMETRIC DATA



**MWPQF1X50U5K**  
**Type IV**  
 Grid in MH  
 MH=16 Feet

Specifications subject to change without notice.