

# SACCORDQ DuraLED Small Accord Semi-Cutoff Wallpack



<b>Project Information</b>	
Project Name: _____	Fixture Type: _____
Complete Catalog #: _____	Date: _____
Comments: _____	

The DuraGuard SACCORDQ semi cutoff wall pack luminaire provides lower direct glare while increasing efficiency over full cutoff optics, and is designed to replace HID lighting systems up to 175 MH or HPS. Typical wall mounted lighting applications include retail centers, industrial parks, schools and universities, public transit and airports, office buildings and medical facilities. Mounting heights of 12 to 18 feet can be used based on light level and uniformity requirements.

## SPECIFICATIONS AND FEATURES:

### HOUSING:

Die Cast Hinged and Gasketed Aluminum Front Frame and Housing with 1/2" Coin Plugs, Stainless Steel Hinge Pins, Safety Cable to Prevent Glass Impact During Installation, Nickel-Plated Stainless Steel Hardware.

### LISTING & RATINGS:

CSA: Listed for Wet Locations, ANSI/UL 1598, 8750 IP65 Sealed LED Compartment.

### FINISH:

Textured Architectural Bronze Powdercoat Finish Over a Chromate Conversion Coating. Custom Colors Available Upon Request.

### LENS:

Prismatic Borosilicate Glass Lens.

### MOUNTING OPTIONS:

Cast-in Template for Mounting Directly Over a 4" Recessed Outlet Box, or Use 1/2" Surface Conduit.

### DURALED LED:

Aluminum Boards

### WATTAGE:

Array: 37.2w, System: 44w (175w HID Equivalent)

### DRIVER:

Electronic Driver, 120-277V, 50/60Hz or 347-480V, 50/60Hz; Less Than 20% THD and PF>0.90. Standard Internal Surge Protection 6kV. 0-10V Dimming Standard for a Dimming Range of 100% to 10%; Dimming Source Current is 150 Microamps.

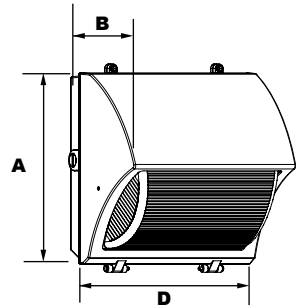
### CONTROLS:

Fixtures Ordered with Factory-Installed Photocell or Motion Sensor Controls are Internally Wired for Switching and/or 1-10V Dimming Within the Housing. Remote Direct Wired Interface of 1-10V Dimming is Not Implied and May Not Be Available, Please Consult Factory. Fixtures are Tested with DuraGuard Controls and May Not Function Properly With Controls Supplied By Others. Fixtures are NOT Designed for Use with Line Voltage Dimmers.

### WARRANTY:

5-Year Warranty for -40°C to +40°C Environment.

See Page 2 for Projected Lumen Maintenance Table.



### Dimensions

<b>Width (D)</b>	11 1/2" (283mm)
<b>Length (B)</b>	7 1/8" (200mm)
<b>Height (A)</b>	12" (305mm)

### DuraLED TECHNOLOGY

Complete Units  
Ordering Information  
Example: SACCORDQF1X37U5KZSP

# SACCORDQ DuraLED Small Accord Semi-Cutoff Wallpack

SACCORDQ	F	1X37				
Model	Optics	Wattage	Driver	CCT	Color	Options
SACCORDQ= DuraLED Small Accord Semi-Cutoff Wallpack	F=Type IV	1X37=37w	U=120-277V H=347-480V	3K=3000K 4K=4000K 5K=5000K	Z=Bronze C=Custom (Consult Factory)	

- SF=Single Fuse\*
- DF=Double Fuse\*
- SP=Surge Protection
- P10=Pencil Photocell, 120VAC
- P12=Pencil Photocell, 208-277VAC
- P20=Swivel Photocell, 120VAC
- P22=Swivel Photocell, 208-277VAC
- BU=Battery Backup, 90 Minutes\*
- BUC=Cold Start Battery Backup, -20°C, 90 Minutes\*

\*120-277V Models Only.



# SACCORDQ DuraLED Small Accord Semi-Cutoff Wallpack



**SACCORDWG**



**P18110 & P18112**



**P18114**



**P18120 & P18122**

### Accessories (Order Separately, Field Installed)

SACCORDQWG Wire Guard, Stainless Steel Construction, Includes Hardware.

### Replacement Parts (Order Separately, Field Installed)

P18110	110-130V, 120VAC Pencil Photocell
P18112	208-277V, 240VAC Pencil Photocell
P18114	120-277V, 50/60Hz Pencil Photocell
P18120	110-130V, 120VAC Swivel Photocell
P18122	208-277V, 240VAC Swivel Photocell

For Replacement Battery Backup, see the DuraGuard LED Battery Backup Specification Sheet.

## PHOTOMETRIC PERFORMANCE

Wattage (Catalog Logic)		<b>37W (1X37)</b>
Input Watts		<b>42.7W</b>
Optic	CCT	Delivered Lumens
<b>F = Type V</b>	3000K	3,607
	4000K	3,923
	5000K	4,075
	BUG Rating	B1-U3-G3

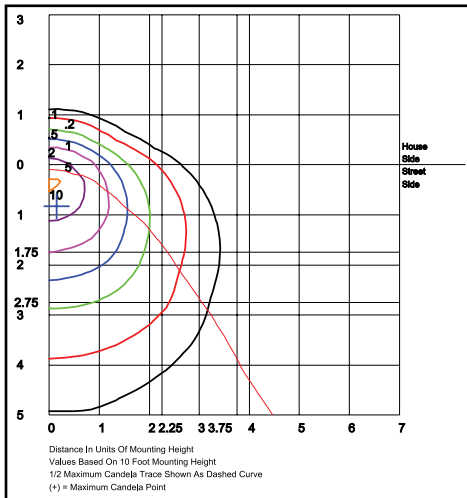
## PROJECTED LUMEN MAINTENANCE

Data shown for 5000 CCT	Compare to MH						
	TM-21-11	Input Watts	Initial	25,000 Hrs	50,000 Hrs	100,000 Hrs	Calculated LED Life
<b>L70 Lumen Maintenance @ 25°C / 77°F</b>	44		1.00	0.94	0.88	0.77	129,000
<b>L70 Lumen Maintenance @ 50°C / 122°F</b>			1.00	0.89	0.78	0.57	69,000
<b>L80 Lumen Maintenance @ 40°C / 104°F</b>			1.00	0.91	0.82	0.65	57,000

### NOTES:

- Projected per IESNA TM-21-11. Data references the extrapolated performance projections for the 116.5mA base model in a 25°C ambient, based on 10,000 hours of LED testing per IESNA LM-80-08.
- Compare to MH box indicates suggested Light Loss Factor (LLF) to be used when comparing to Metal Halide (MH) systems.

## PHOTOMETRIC DATA



### SACCORDQF1X37U5K

#### Type IV

Grid in MH

MH=16 Feet