

SWPQ DuraLED Small Wallpack



Project Information	
Project Name:	Fixture Type:
Complete Catalog #:	Date:
Comments:	

The DuraGuard SWPQ general purpose wall pack luminaire provides optically controlled wide spread light distribution designed to replace HID lighting systems up to 100w MH or HPS. Typical wall mounted lighting applications include retail centers, industrial parks, schools and universities, public transit and airports, office buildings and medical facilities. Mounting heights of 8 to 15 feet can be used based on light level and uniformity requirements.

SPECIFICATIONS AND FEATURES:

HOUSING:

Die Cast Gasketed Aluminum Front Frame and Housing with 1/2" Coin Plugs, Nickel-Plated Stainless Steel Hardware.

LISTING & RATINGS:

CSA: Listed for Wet Locations, ANSI/UL 1598, 8750 IP65 Sealed LED Compartment.

FINISH:

Textured Architectural Bronze Powdercoat Finish Over a Chromate Conversion Coating. Custom Colors Available Upon Request.

LENS:

Prismatic Clear or SoftLED Prismatic Borosilicate Glass Lens

MOUNTING OPTIONS:

Mount Directly Over a 4" Recessed Outlet Box, or Use 1/2" Surface Conduit or Optional Wall Mount Plate.

DURALED LED:

Aluminum Boards

WATTAGE:

Array: 16w, System: 17.7w; (100w HID Equivalent)
 Array: 22.7w, System: 27.6w; (100w HID Equivalent)



DRIVER:

Electronic Driver, 120-277V, 50/60Hz; Less Than 20% THD and PF>0.90. Standard Internal Surge Protection 2kV. 0-10V Dimming Standard for a Dimming Range of 100% to 10%; Dimming Source Current is 150 Microamps.

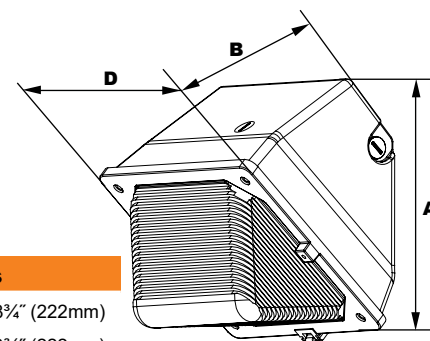
CONTROLS:

Fixtures Ordered with Factory-Installed Photocell or Motion Sensor Controls are Internally Wired for Switching and/or 1-10V Dimming Within the Housing. Remote Direct Wired Interface of 1-10V Dimming is Not Implied and May Not Be Available, Please Consult Factory. Fixtures are Tested with DuraGuard Controls and May Not Function Properly With Controls Supplied By Others. Fixtures are NOT Designed for Use with Line Voltage Dimmers.

WARRANTY:

5-Year Warranty for -40°C to +40°C Environment.

See Page 2 for Projected Lumen Maintenance Table.



Dimensions

- Width (D) 8 3/4" (222mm)
- Length (B) 8 3/4" (222mm)
- Height (A) 9 1/4" (235mm)

DuraLED TECHNOLOGY

Complete Units
 Ordering Information
 Example: SWPQF1X23U5KZSP

SWPQ DuraLED Small Wallpack

SWPQ	F						
Model	Optics	Wattage	Driver	CCT	Lens	Color	Options
SWPQ= DuraLED Small Wallpack	F=Type IV	1X16=16w 1X23=23w	U=120-277V H=347-480V	3K=3000K 4K=4000K 5K=5000K	(Leave Blank)= Standard Prismatic Glass Lens S=SoftLED Prismatic Glass Lens	Z=Bronze C=Custom (Consult Factory)	SF=Single Fuse* DF=Double Fuse* SP=Surge Protection PC3=Photocell, 120-277VAC *120-277V Models Only.



DesignLights Consortium™
 Qualified Luminaires:
 SWPQF1X23U5K*

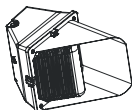


Specifications subject to change without notice.

SWPQ DuraLED Small Wallpack



WMP



SWPGLFC*

Mounting Accessories (Order Separately, Field Installed)	
WMP	Die Cast Wall Mount Plate with Locknut, O-ring & Weatherproof Gasket.

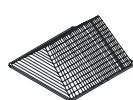


SWPGLGS*



SWPGLWG

Accessories (Order Separately, Field Installed)	
SWPGLFC	Full Cutoff, Stamped Aluminum, Bronze Powdercoat Finish, Includes Hardware.
SWPGLGS	Glare Shield, Stamped Aluminum, Bronze Powdercoat Finish, Includes Hardware.
SWPGLWG	Wire Guard, Stainless Steel Construction, Includes Hardware.



SWPGLGL



P18103

Replacement Parts (Order Separately, Field Installed)	
SWPGL	Molded Prismatic Borosilicate Glass Lens.
SWPGLSS	SoftLED Prismatic Borosilicate Glass Lens.
P18103	120-277VAC Photocell

*Shown Mounted

PHOTOMETRIC PERFORMANCE

LED Board Watts	Drive Current (mA)	Input Watts	Optics	5000 CCT 80 CRI					4000 CCT 80 CRI					3000 CCT 80 CRI				
				Lumens	LPW	B	U	G	Lumens	LPW	B	U	G	Lumens	LPW	B	U	G
DuraLED 23w	700	18	Type IV	2,298	128	1	3	2	2,206	123	1	3	2	2,034	113	1	3	2
DuraLED 23w		28	Type IV	3,217	115	1	3	3	3,089	110	1	3	3	2,847	102	1	3	3

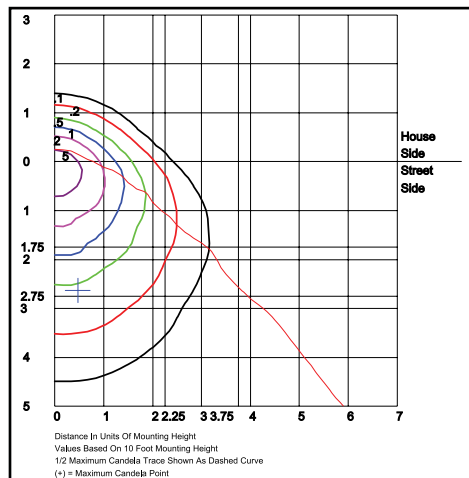
PROJECTED LUMEN MAINTENANCE

Data shown for 5000 CCT			Compare to MH			
TM-21-11	Input Watts	Initial	25,000 Hrs	50,000 Hrs	100,000 Hrs	Calculated L70@ 25°C
L70 Lumen Maintenance @ 25°C / 77°F	28	1.00	0.96	0.92	0.84	182,000
TM-21-11	Input Watts	Initial	25,000 Hrs	50,000 Hrs	100,000 Hrs	Calculated L70@ 50°C
L70 Lumen Maintenance @ 50°C / 122°F	28	1.00	0.93	0.86	0.71	104,000
TM-21-11	Input Watts	Initial	25,000 Hrs	50,000 Hrs	100,000 Hrs	Calculated L80@ 40°C
L80 Lumen Maintenance @ 40°C / 104°F	28	1.00	0.94	0.88	0.75	80,000

NOTES:

- Projected per IESNA TM-21-11. Data references the extrapolated performance projections for the 700mA base model in a 25°C ambient, based on 10,000 hours of LED testing per IESNA LM-80-08.
- Compare to MH box indicates suggested Light Loss Factor (LLF) to be used when comparing to Metal Halide (MH) systems.

PHOTOMETRIC DATA



SWPQF1X23U5K

Type IV
Grid in MH
MH=10 Feet

Specifications subject to change without notice.