

VNGL40Q DuraLED Vandal Resistant Low Bay



Project Information	
Project Name: _____	Fixture Type: _____
Complete Catalog #: _____	Date: _____
Comments: _____	

The DuraGuard VNGL40Q Vandal Resistant Low Bay luminaire is available for surface or pendant mounting configurations with an optical distribution designed specifically to replace HID lighting systems up to 175w MH or HPS. Typical lighting applications include retail centers, industrial parks, schools and universities, public transit and airports, office buildings and medical facilities. Mounting heights of 12 to 20 feet can be used based on light level and uniformity requirements

SPECIFICATIONS AND FEATURES:

HOUSING:

Die Cast Aluminum Housing, 1/2" Coin Plugs with O-rings for Conduit & Photocell on Sides & Back, Nickel-Plated Stainless Steel Hardware.

LISTING & RATINGS:

CSA: Listed for Wet Locations, ANSI/UL 1598, 8750. (Damp Locations When Used with QM.) IP65 Sealed LED Compartment.

FINISH:

Textured Powdercoat Finish Over a Chromate Conversion Coating. Custom Colors Available Upon Request.

LENS:

Standard Clear UV-Stabilized Polycarbonate Prismatic or SoftLED LumaLens Opal UV-Stabilized Polycarbonate Vandal-Resistant Lens

MOUNTING OPTIONS:

Built-in Template for Mounting to an Electrical Box, or Use 1/2" Surface Conduit, Downrod, or Quick-Mount Bracket.

DURALED LED:

Aluminum Boards

WATTAGE:

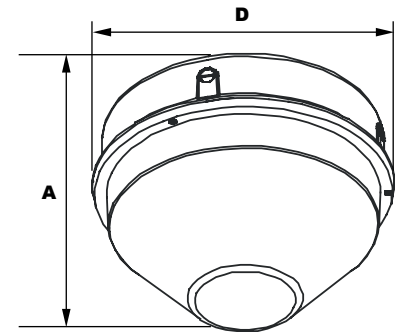
Array: 53.7w, System: 62.3w; (175w HID Equivalent)

DRIVER:

Electronic Driver, 120-277V, 50/60Hz or 347-480V, 50/60Hz; Less Than 20% THD and PF>0.90. Standard Internal Surge Protection 6kV. 0-10V Dimming Standard for a Dimming Range of 100% to 10%; Dimming Source Current is 150 Microamps.

WARRANTY:

5-Year Warranty for -40°C to +40°C Environment.



Dimensions

Diameter (D)	15" (380mm)
Height (A)	11 1/4" (286mm)

DuraLED TECHNOLOGY

Complete Units
Ordering Information
Example: VNGL40QF1X54U5KSZSP

VNGL40Q DuraLED Vandal Resistant Low Bay

VNGL40Q	F	1X54					
Model	Optics	Wattage	Driver	CCT	Lens	Color	Options
VNGL40Q = DuraLED Vandal Resistant Low Bay	F=Type V	1X54=54w	U=120-277V H=347/480V	4K=4000K 5K=5000K		Z=Bronze W=White C=Custom (Consult Factory)	
<p>S=Standard Clear UV-Stabilized Polycarbonate Prismatic Lens L=SoftLED LumaLens Opal UV-Stabilized Polycarbonate Lens</p>							

- SF=Single Fuse*
- DF=Double Fuse*
- SP=Surge Protection
- QM=Quick Mount/Pendant Mount
- BU=Battery Backup, 90 Minutes*
- BUC=Cold Start Battery Backup, -20°C, 90 Minutes*

*120-277V Models Only.



DesignLights Consortium™
Qualified Luminares:
VNGL40QF1X54U5KS*

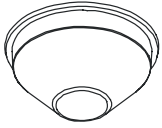


Specifications subject to change without notice.

VNGL40Q DuraLED Vandal Resistant Low Bay



ACCESSORIES & REPLACEMENT PARTS:



**EPL,
VNGL40LL**



QM

Replacement Parts (Order separately, Field installed)

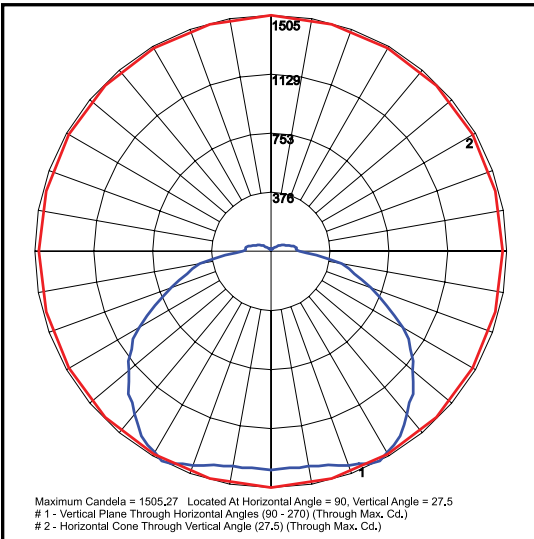
EPL	Prismatic UV-Stabilized Polycarbonate Lens
VNGL40LL	SoftLED LumaLens Opal UV-Stabilized Polycarbonate Lens
QM	Hinged Quick-Mount Bracket, Stamped Steel, Mount Over Recessed Electrical Box, or Use 3/4" NPS Downrod for Pendant Mounting. CSA Listed for Damp Location Mounting.

For Replacement Battery Backup, see the DuraGuard LED Battery Backup Specification Sheet.

PHOTOMETRIC PERFORMANCE

LED Board Watts	Drive Current (mA)	Input Watts	Spacing Criteria	5000 CCT 80 CRI		4000 CCT 80 CRI	
				Lumens	LPW	Lumens	LPW
DuraLED 54w	117	62	1.54	7,436	120	7,139	115

PHOTOMETRIC DATA



VNGL40QF1X54U5KS
Standard Clear Lens