

DGNOVA Nova™ LED High Bay

NSF • IP67 • COLD STORAGE • HIGH-TEMP • HIGH-BAY



- FOOD & BEVERAGE PROCESSING**
- MANUFACTURING & DISTRIBUTION**
- LIVESTOCK FARMING**

The Nova LED high-bay is a third generation fixture designed for the harsh environments found in food processing and heavy manufacturing facilities. This industrial grade fixture is an ideal replacement for traditional 400W–1000W metal halide fixtures providing up to 70% energy savings.

PERFORMANCE

| | |
|----------------------------|--------------------------------|
| Lumen Output | 18,000-39,000 lumens |
| Lifespan | L70>178,000 Hours |
| Ambient Temperature | -40°F to 149°F (-40°C to 65°C) |
| Warranty | 5 Years |
| Efficacy | Up to 150 LPW |
| Power Washing | Up to 1600 PSI |

ELECTRICAL

| | |
|--------------------------|--|
| Operating Voltage | 120-480V |
| Input Frequency | 50/60Hz |
| Input Wattage | 120-260W |
| Surge Protection | 10kV (10kA or 20kA Optional) |
| Dimming | 0-10V |
| Power Input | Standard 10' Yellow Cable (5-conductor wire to pigtails) |

CONSTRUCTION

| | |
|-------------------|--|
| IP Rating | IP67 |
| IK Rating | IK10 (pending) |
| Weight | 22.8lbs (10.3kg) |
| Dimensions | 17"H x 18"W |
| Housing | Die Casted Aluminum Alloy |
| Finish | High Efficiency Heat Dissipating Powder Coat |
| Lens | Shatterproof, Polycarbonate |
| NPT | 3/4" Female |

OPTICAL

| | |
|-------------------|-------------------|
| CRI | ≥80 (90 Optional) |
| CCT | 4000K, 5000K |
| Beam Angle | 90°, 120° |



U.S. Patent No. 10900619

PROJECT INFORMATION:

Project Name: _____

Complete Catalog #: _____

Fixture Type: _____

Comments: _____

EMERGENCY BATTERY BACKUP

Option for Nova fixtures

- Minimum 90-Minute Duration
- 16W 2400 Lumen
- Temperature Range from 50°F to 122°F (10°C to 50°C)
- 120-277V only



DGNOVA Nova™ LED High Bay

NSF • IP67 • COLD STORAGE • HIGH-TEMP • HIGH-BAY



We have custom and standard manufacturing options. Use this form to build your part number or reach out to our sales team for assistance.

GET YOUR PRODUCTS FASTER WITH OUR QUICK SHIP PROGRAM

Multiple USA locations = 98-3-1 Quick Ship Program
98% Fill Rate – 3 Day Lead Time – 1 Piece Minimum Order

ORDERING INFORMATION

Complete Units Ordering Information
Example: **DGNOVA18LWDMVS1C150K80HKGP5**

DGNOVA Nova™ LED High Bay

NSF • IP67 • COLD STORAGE • HIGH-TEMP • HIGH-BAY

| DGNOVA | | | | | | | | | G |
|--------------------------|--|-------------------------------------|------------------------------|---|--|------------------------|------------------------|---|--------|
| Model | Lumen Pkg | Distribution | Voltage | Internal Surge Protector | Control Option | CCT | CRI | Mounting | Finish |
| DGNOVA=Nova LED High Bay | 18L=18,000 23L=22,500 30L=30,000 Δ 39L=39,000 | MD=Medium (90°) Δ WD=Wide (120°) | MV=120-277v HV=277-480v Δ | Leave Blank= Standard 10kV S1=10kA SP 120-277V S2=20kA SP 120-277V S3=20kA SP 277-480V | Leave Blank= No Controls C1=Programmable internal motion sensor Δ | 40K=4000K 50K=5000K | 80=80 CRI 90=90 CRI | HK=Hook Mount PM=Pendant Mount Adapter | G=Gray |

OPTIONS & ACCESSORIES

| OPTIONS | | PLUGS | | CORDSETS (ORDER SEPARATELY) | |
|---------|---|-------|---------------------------------|-----------------------------|---|
| Options | Description | Plugs | Description | Order Code | Description |
| M3 | Bulkhead mini receptacle, 3 wire, Male Δ | P3 | 3pin Mini Connector Male Plug | MIN-3FP-6 | 3 Conductor Female 6' Cable to Pigtails |
| M5 | Bulkhead mini receptacle, 5 wire, Male Δ | P5 | 5pin Mini Connector Male Plug | MIN-5FP-6 | 5 conductor Female 6' Cable to pigtails |
| EM | Emergency Battery Backup *see restrictions* Δ | 5P | 120v Plug Δ | MIN-3MFP-6 | 3 conductor Female 6' Cable to Male |
| YX | 5 conductor yellow wire that is X feet long | L6P | Locking 208/240v Plug Δ | MIN-5MFP-6 | 5 Conductor Female 6' Cable to Male |
| WX | 5 conductor white wire that is X feet long | L7P | Locking 277v Plug Δ | | |
| S10 | Aircraft Safety Cable 10' | W5P | Watertite 120v Plug | | |
| S16 | Aircraft Safety Cable 16' | W6P | Watertite Locking 208/240v Plug | | |
| | | W7P | Watertite Locking 277v Plug | | |

Δ OPTION VALUE
Ordering Restrictions

EM Backup is not supported by HV fixtures

EM Backup temperature range 10-50°C (50-122°F)

Plug options 5P, L6P, L7P are not IP rated

MD lens option is only IP66 rated

Please see page 6 for control programming options

Cordset options are only suitable for M3/M5 bulkhead options

DGNOVA Nova™ LED High Bay

NSF • IP67 • COLD STORAGE • HIGH-TEMP • HIGH-BAY



NOVA CHARACTERISTICS

| Lumen Package | Wattage | | | | Amp Draw | | | | Diameter | Height | Height with Hook | Comparable Light Source |
|---------------|---------|------|------|------|----------|------|------|------|----------|--------|------------------|-------------------------------------|
| | 120V | 277V | 347V | 480V | 120V | 277V | 347V | 480V | | | | |
| 18L | 120 | 116 | 114 | 115 | 1.03 | 0.44 | 0.34 | 0.25 | 17.93" | 16.97" | 20.94" | 250W MH, 6-lamp T8 HBF, 4-lamp T5HO |
| 23L | 156 | 152 | 150 | 149 | 1.30 | 0.56 | 0.43 | 0.31 | 17.93" | 16.97" | 20.94" | 400W MH, 6-lamp T5HO |
| 30L | 203 | 194 | 196 | 195 | 1.69 | 0.72 | 0.58 | 0.42 | 17.93" | 16.97" | 20.94" | 575W MH, 10-lamp T8 HBF |
| 39L | 267 | 259 | 260 | 256 | 2.25 | 0.97 | 0.78 | 0.55 | 17.93" | 16.97" | 20.94" | 750W MH, 8-lamp T5HO |

PROJECTED LUMEN MAINTENANCE

| DGNOVA 18L 23L 30L 39L | | | | | | |
|------------------------------|---|--------|--------|--------|--------|---------|
| Operating hours | 0 | 10,000 | 30,000 | 50,000 | 70,000 | 100,000 |
| Lumen maintenance factor | 1 | 0.99 | 0.96 | 0.92 | 0.89 | 0.84 |

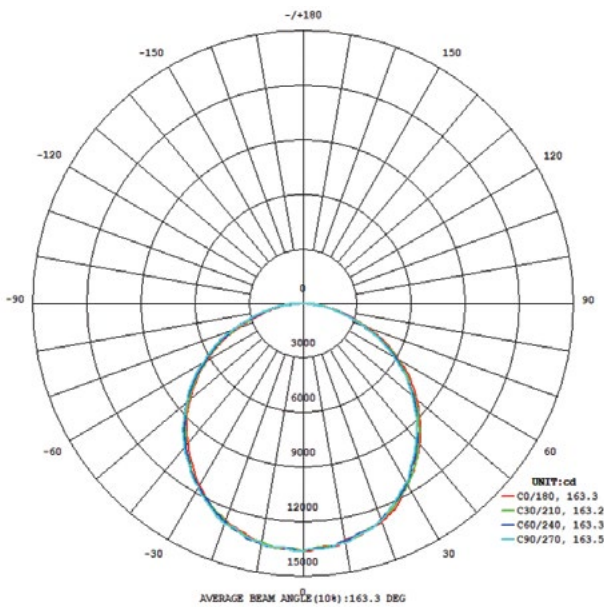
AMBIENT TEMPERATURE RATINGS

| Lumen Package | Fixture | with MS | with EM |
|------------------------------|---------------|---------------|--------------|
| 18L 23L 30L 39L | -40°C to 65°C | -40°C to 65°C | 10°C to 50°C |

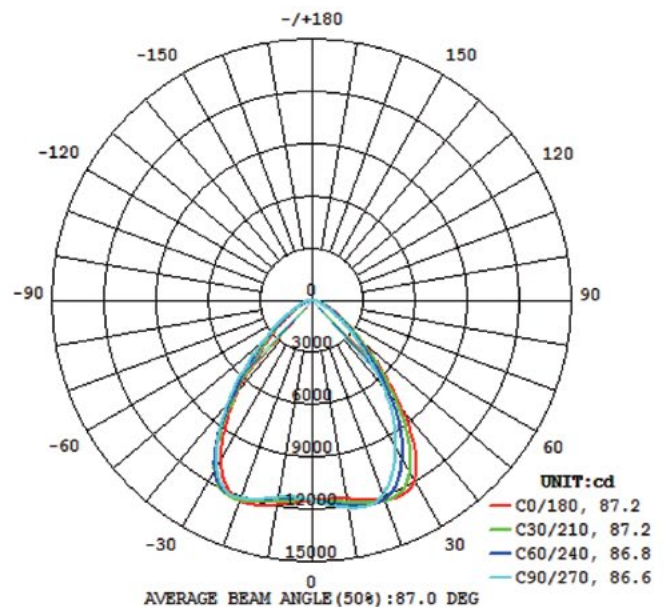
NOVA EMERGENCY BACKUP INFORMATION (5000K, 80 CRI)

| Lens | DuraGuard Order Code | EM Manufacturer | EM Driver Part | EM Battery Part | Field Installable | Lumen Output |
|---------------|----------------------|-----------------|----------------|-----------------|-------------------|--------------|
| Wide | EM | Fulham | FHS2-UNV-36L | FHSBATL6-1.5 | No | 2400LM |
| Medium | EM | Fulham | FHS2-UNV-36L | FHSBATL6-1.5 | No | 2560LM |

NOVA WD LIGHT DISTRIBUTION



NOVA MD LIGHT DISTRIBUTION



Specifications subject to change without notice.

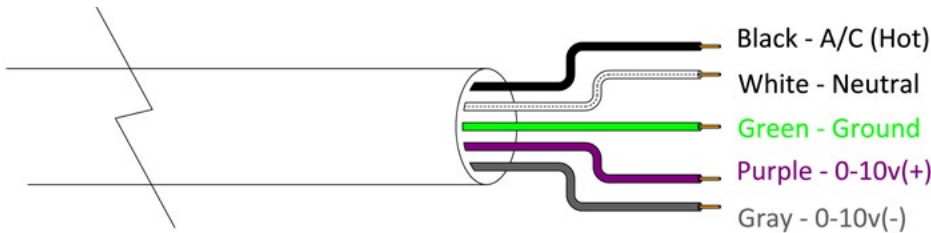
DGNOVA Nova™ LED High Bay
NSF • IP67 • COLD STORAGE • HIGH-TEMP • HIGH-BAY



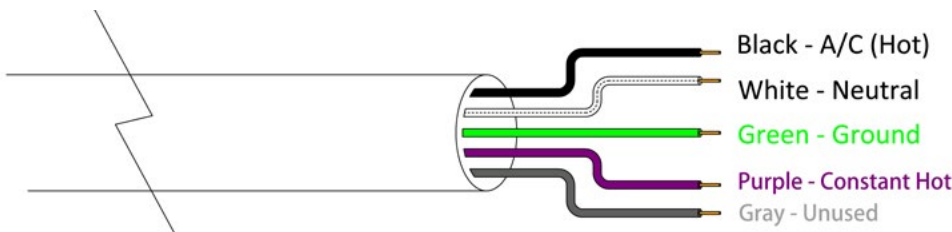
SURGE PROTECTION DEVICE INFORMATION

| Order Code | S1 | S2 | S3 |
|---|--------------|-----------------|-----------------|
| Model | SP1 | PU-20KS10KHT | DS-PS-20KS10KHT |
| Manufacturer | Philips | Inventronics | Inventronics |
| Operating Voltage | 120-277V | 120-277V | 277-480V |
| Input Frequency | 50/60Hz | 50/60Hz | 50/60Hz |
| Maximum Discharge Current (Imax) | 10kA, 8/20µs | 20kA, 8/20µs | 20kA, 8/20µs |
| Nominal Discharge Current (In) | | 10kA, 8/20µs | 10kA, 8/20µs |
| Open Circuit Voltage | | 20kV | 20kV |
| Measured Limiting Voltage (L-N) | | 2600V | 3000V |
| Measured Limiting Voltage (L-G, N-G) | | 2000V | 3000V |
| Net Weight | | 50g | 60g |
| Operating Temperature | | -40°C to 85°C | -40°C to 85°C |
| Dimensions | | 0.6"x1.1"x11.8" | 0.7"x1.1"x11.8" |
| Number of Surges | | | |
| 20 kA | | 1 | 1 |
| 10 kA | | 15 | 15 |
| 4 kA | | 100 | 100 |
| 2 kA | | 500 | 500 |
| 1 kA | | 1,000 | 1,000 |

WIRING DIAGRAM



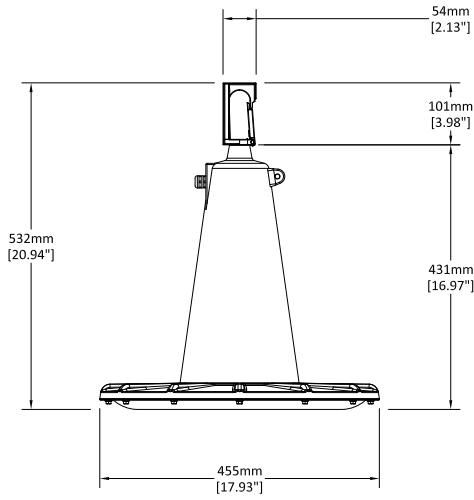
EMERGENCY WIRING DIAGRAM



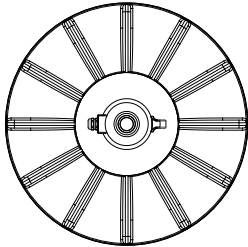


DIMENSIONAL DATA

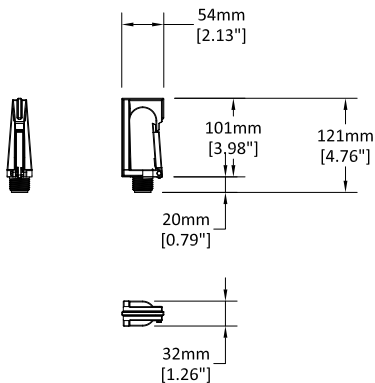
NOVA WITH HOOK



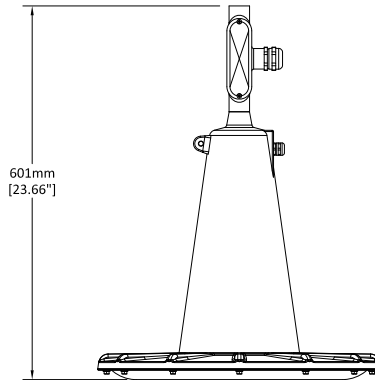
TOP VIEW



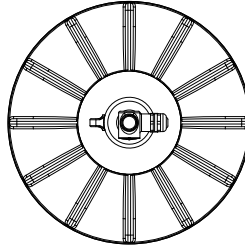
HOOK



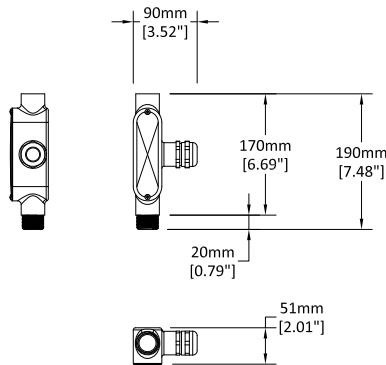
NOVA WITH PENDANT MOUNT ADAPTER



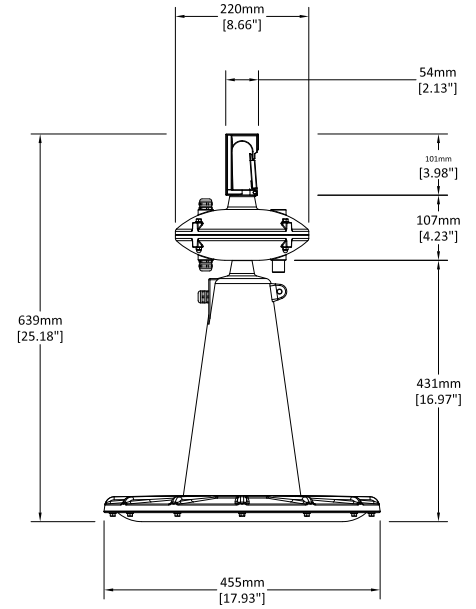
TOP VIEW



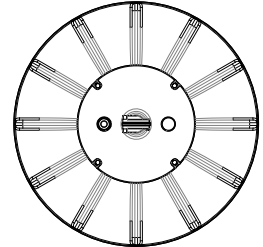
PENDANT MOUNT ADAPTER



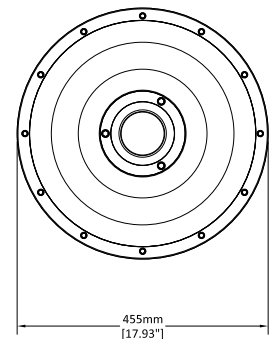
NOVA WITH EM AND HOOK



TOP VIEW



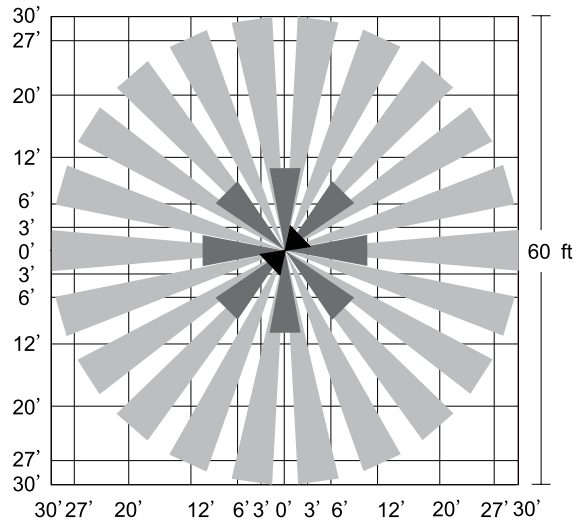
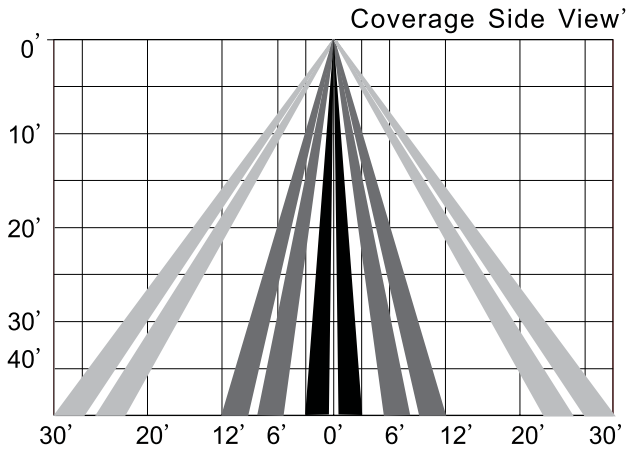
BOTTOM VIEW



DGNOVA Nova™ LED High Bay
NSF • IP67 • COLD STORAGE • HIGH-TEMP • HIGH-BAY



BI-LEVEL MICROWAVE SENSOR - BRI820 - SENSOR COVERAGE



SENSOR OPTIONS

| Options | Functions | Description |
|---------------------|---|--|
| Brightness | 70% / 80% / 90% / 100% | The time the fixture remains at programmed light level if motion is not detected |
| Hold Time | 10s / 1m / 5m / 10m / 15m / 20m / 30m / 60m | |
| Sensitivity | 20% / 50% / 75% / 100% | Sensitivity of occupancy sensor |
| StandBy Time | 1m / 30m / 60m | Step dimming options after fixture does not detect movement |
| Stand by Dim | 0% / 10% / 30% / 50% | |

PACKAGING DIMENSIONS

| | Box | Pallet |
|-----------------------|--------------------|--------------------|
| Qty - FIXTURES | 2 | 32 |
| Size | 23"L x 29"W x 23"H | 57"L x 45"W x 94"H |
| Weight | 52lbs | 850lbs |