

WPR25Q DuraLED Amber Orah Round Bulkhead



Project Information	
Project Name:	Fixture Type:
Complete Catalog #:	Date:
Comments:	

The DuraGuard Amber Orah Round Bulkhead is designed to replace HID Lighting systems for wildlife, dark skies, or security applications requiring monochromatic AMBER light. LEDs operate between 585 and 595nm, greater than 560nm required for wildlife protection. Typical applications include office and public buildings, condominiums, schools, shopping malls, and hospitality. Recommended mounting heights are 8 to 20 feet.



SPECIFICATIONS AND FEATURES:

HOUSING:

Die Cast Gasketed Aluminum Housing with Integral Heat Sinking and Driver Compartment. Nickel-Plated Stainless Steel Hardware. Photocell Adaptable.

LISTING & RATINGS:

CSA: Listed for Wet Locations, ANSI/UL 1598, 8750; IP66 Sealed LED Compartment.

FINISH:

Textured Architectural Bronze Powdercoat Finish Over a Chromate Conversion Coating. Custom Colors Available Upon Request.

LENS:

SoftLED LumaLens UV-Stabilized Polycarbonate Opal Vandal-Resistant Lens Eliminates LED Hot Spots

MOUNTING OPTIONS:

Surface Mount

DURALED LED:

Aluminum Boards

WATTAGE:

17w Array: 17w, System: 18.7w

DRIVER:

Electronic Driver, 120-277V, 50/60Hz; Less Than 20% THD and PF>0.90. Standard Internal Surge Protection 2kV. 0-10V Dimming Standard for a Dimming Range of 100% to 10%; Dimming Source Current is 150 Microamps.

CONTROLS:

Fixtures Ordered with Factory-Installed Photocell or Motion Sensor Controls are Internally Wired for Switching and/or 1-10V Dimming Within the Housing. Remote Direct Wired Interface of 1-10V Dimming is Not Implied and May Not Be Available, Please Consult Factory. Fixtures are Tested with DuraGuard Controls and May Not Function Properly With Controls Supplied By Others. Fixtures are NOT Designed for Use with Line Voltage Dimmers.

WARRANTY:

5-Year Warranty for -40°C to +50°C Environment.

See Page 3 for Projected Lumen Maintenance Table.



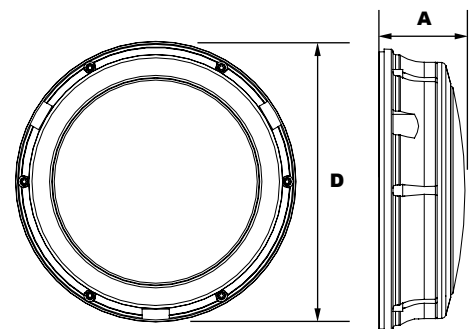
**WPR250FQ
Open Frame**



**WPR25GRQ
Grid Frame**



**WPR25HCQ
Half Cutoff**



Dimensions

Diameter (D)	12½" (318mm)
Height (A)	WPR250FQ: 3 ¹⁵ / ₁₆ " (100mm) WPR25GRQ: 4¾" (111mm) WPR25HCQ: 4¾" (111mm)



DuraLED TECHNOLOGY

Specifications subject to change without notice.

WPR25Q DuraLED Amber Orah Round Bulkhead



Complete Units Ordering Information
 Example: **WPR25GRQF1X17UAMLZSF**

WPR25Q DuraLED Amber Orah Round Bulkhead

DuraLED Amber Series

	F	1X17	U	AM	L		
Model	Optics	Wattage	Driver	CCT	Lens	Color	Options
	F=Type IV	1X17=17w	U=120-277V	AM=Amber	L=SoftLED LumaLens Opal UV-Stabilized Polycarbonate Array Lens	Z=Bronze W=White C=Custom (Consult Factory)	
<p>WPR25OFQ=DuraLED Amber Orah Round Bulkhead - Open Frame WPR25GRQ=DuraLED Amber Orah Round Bulkhead - Grid Frame WPR25HCQ=DuraLED Amber Orah Round Bulkhead - Half Cutoff</p> <p>SF=Single Fuse* DF=Double Fuse* SP=Surge Protector PC3=Photocell, 120-277VAC P10=Pencil Photocell, 120VAC P12=Pencil Photocell, 277VAC P14=Pencil Photocell, 120-277VAC S2=Microwave Sensor with Dimming for Mounting Heights of 8' to 40'.* S4=Microwave On/Off Motion Sensor for Mounting Heights of 8' to 19'.* BU=Battery Backup, 90 Minutes* BUC=Cold Start Battery Backup, -20°C, 90 Minutes*</p>							

*120-277V Models Only.

ACCESSORIES & REPLACEMENT PARTS:



P18103



P18110 & P18112



P18114

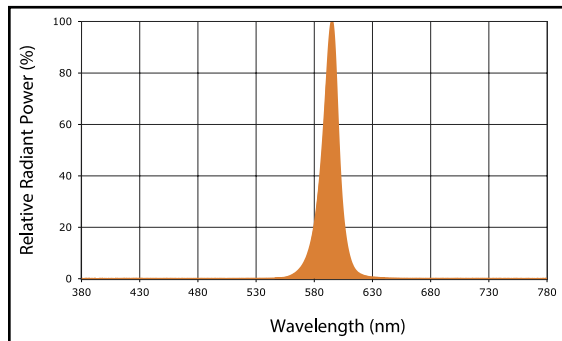


P17117



P17123

Replacement Parts (Order Separately, Field Installed)	
P18103	120-277VAC Photocell
P18110	110-130V 120VAC Pencil Photocell
P18112	208-277V 240VAC Pencil Photocell
P18114	120-277V, 50/60Hz Pencil Photocell
P17117	Internal Microwave Sensor with Dimming for Mounting Heights of 8 to 40'. 120-277VAC, 50/60Hz.
P17123	Internally Mounted Microwave On/Off Motion Sensor for Mounting Heights of 8' to 19', 120-277VAC, 50/60Hz
For Replacement Battery Backup, see the DuraGuard LED Battery Backup Specification Sheet.	

WPR25Q DuraLED Amber Oran Round Bulkhead**DuraGuard**
PRODUCTS INC.
A QSSI Company**SPECTRAL CHART****PHOTOMETRIC PERFORMANCE**

LED Board Watts	Input Watts	Amber LED				
		Lumens	LPW	B	U	G
Amber 17w WPR250FQ	18.7w	1079	58	0	1	0
Amber 17w WPR25HCQ		918	49	0	1	0
Amber 17w WPR25GRQ		899	48	0	1	0

PROJECTED LUMEN MAINTENANCE

Data shown for Amber LEDs TM-21-11	Input Watts	Compare to MH				Calculated LED Life
		Initial	25,000 Hrs	50,000 Hrs	100,000 Hrs	
L70 Lumen Maintenance @ 25°C / 77°F	18.7w	1.00	0.96	0.92	0.84	187,000
L70 Lumen Maintenance @ 50°C / 122°F		1.00	0.96	0.91	0.82	113,000
L80 Lumen Maintenance @ 40°C / 104°F		1.00	0.94	0.89	0.77	88,000

NOTES:

1. Projected per IESNA TM-21-11. Data references the extrapolated performance projections for the base model in a 25°C ambient, based on 10,000 hours of LED testing per IESNA LM-80-08.
2. Compare to MH box indicates suggested Light Loss Factor (LLF) to be used when comparing to Metal Halide (MH) systems.