

AndonWIRELESS / Andon product

AndonWirelessBOX 2-Button 921 MHz



Part No.: 860.000.17



| MECHANICAL DATA | |
|-----------------------------|--------------------------------|
| Length | 103 mm |
| Width | 66 mm |
| Height | 35 mm |
| Materials | PC PC/ABS |
| Housing colour | Black Grey |
| Protection category | IP30 |
| Type of fixing | Base mounting Wall mounting |
| Working temperature minimum | 0°C |
| Working temperature maximum | +40°C |

| ELECTRICAL DATA | |
|-----------------------------|--|
| Operating voltage | 115-230V |
| Operating voltage type | AC |
| Operating voltage frequency | 50Hz at 230V 60Hz at 115V |
| Operating voltage tolerance | +/- 10% |
| Rated operational voltage | 230 VAC |
| Rated operational current | 500 mA |
| Protection class | Protection class 2 |
| Pollution degree | 2 |
| Overvoltage category | II |
| Isolation voltage | U _i = 250V; U _{imp} = 2.500V |
| Radio range max. | 200 m |
| Radio transmission power | 10 dBm at 50 Ohm |
| Radio frequency min/max | 921.000 MHz 922.000 MHz |
| Radio channels | 6 |
| connectivity | USB |

| APPROVAL DATA | |
|-----------------------------|----------------------|
| Conforms with CE | No |
| WEEE | Yes |
| Conforms with RED directive | No |
| Conforms with CCC | No |
| Conforms with UL | cULus I.T.E. E503964 |
| Conforms with FCC | Yes |
| Conforms with IC | Yes |

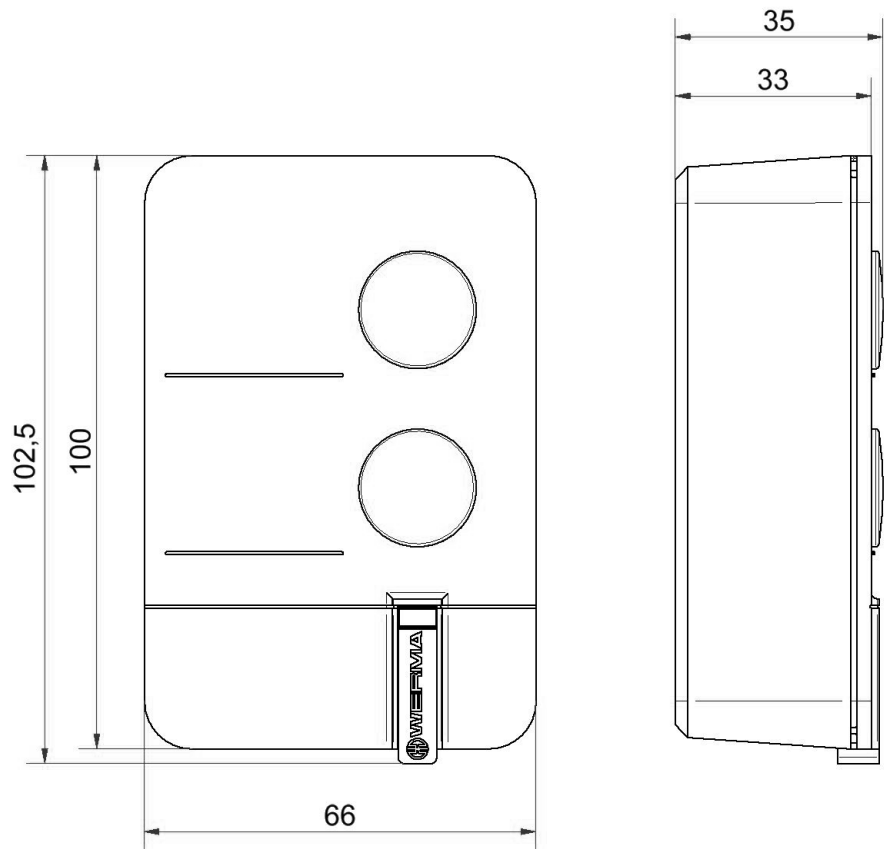
! For additional installation and mounting information, refer to the appropriate user guide at www.werma.com. This printed copy is for information only and is subject to alteration.

AndonWIRELESS / Andon product

AndonWirelessBOX 2-Button 921 MHz

| | |
|-------------------------------|----------|
| EAC certificate available | No |
| Conforms with UKCA (Importer) | No |
| Conforms with AS-I | No |
| Conforms with DNV | No |
| Conforms with RoHS CN | 10 years |
| Conforms with VdS | No |

DRAWING



! For additional installation and mounting information, refer to the appropriate user guide at www.werma.com. This printed copy is for information only and is subject to alteration.