

Permanent Light 800 / Accessories
Anti-twist device SR



Part No.: 975.815.22

MECHANICAL DATA

Height	2 mm
Diameter	50 mm
Materials	Stainless steel
Housing colour	Silver
Weight with packaging	10 g
Product weight	5 g

APPROVAL DATA

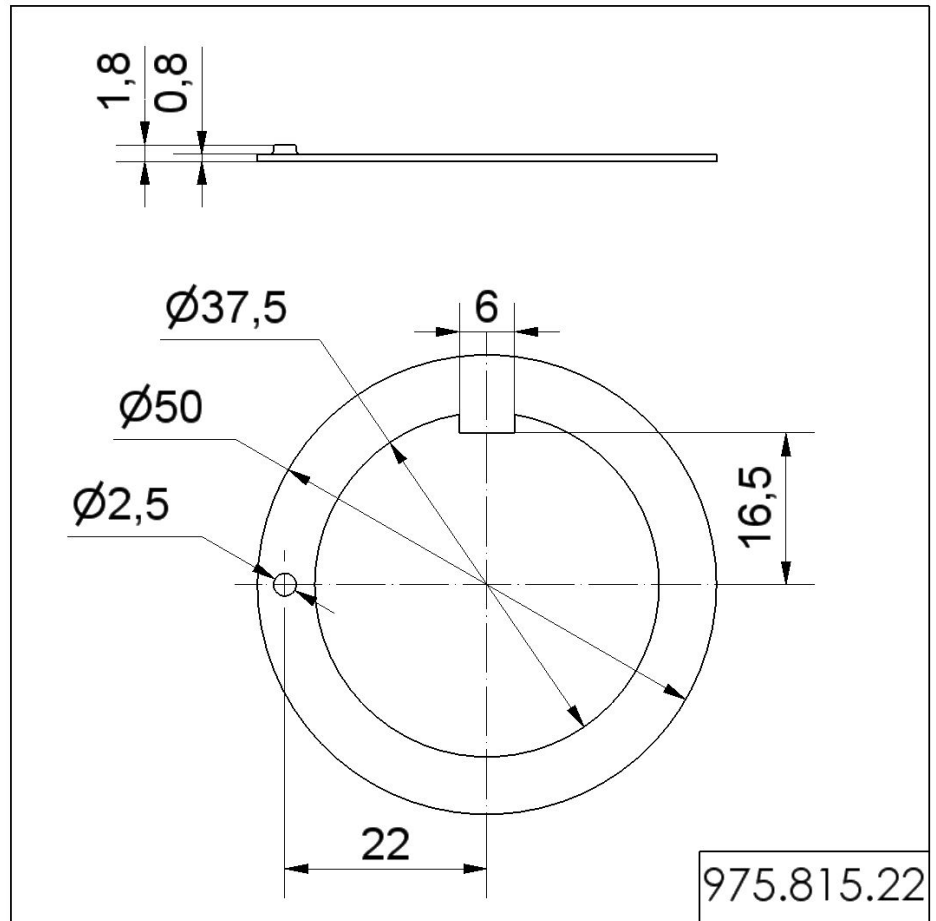
WEEE	No
Conforms with RED directive	No
Conform with ATEX-directive	No
Conforms with CCC	No
Conforms with UL	No
Conforms with FCC	No
Conforms with IC	No
EAC certificate available	No
Conforms with AS-I	No
ICAO Certification	No
Conforms with DNV	No
Conforms with RoHS CN	No



For additional installation and mounting information, refer to the appropriate user guide at www.werma.com. This printed copy is for information only and is subject to alteration.

Permanent Light 800 / Accessories
Anti-twist device SR

DRAWING



! For additional installation and mounting information, refer to the appropriate user guide at www.werma.com. This printed copy is for information only and is subject to alteration.